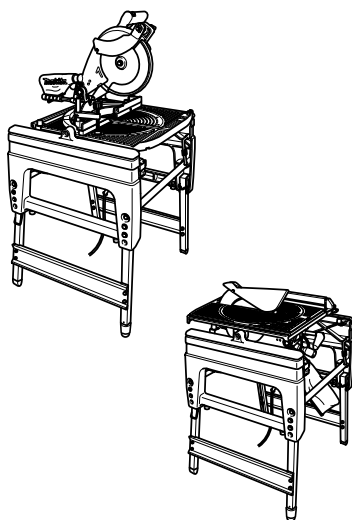
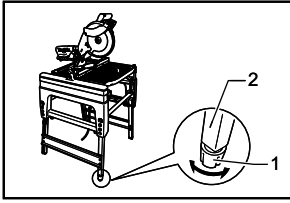




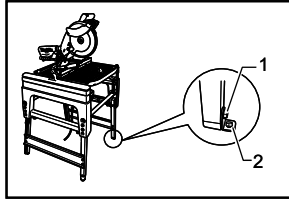
GB	Flip over saw	INSTRUCTION MANUAL
UA	Пила повороту на 180 градусів	ІНСТРУКЦІЯ З ЕКСПЛУАТАЦІЇ
PL	Piła złożona	INSTRUKCJA OBSŁUGI
RO	Ferăstrău basculant	MANUAL DE INSTRUCȚIUNI
DE	Wendesäge	BEDIENUNGSANLEITUNG
HU	Billenőfűrész	HASZNÁLATI KÉZIKÖNYV
SK	Pretočená píla	NÁVOD NA OBSLUHU
CZ	Pokosová píla	NÁVOD K OBSLUZE

LF1000

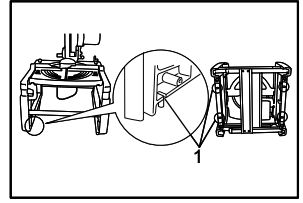




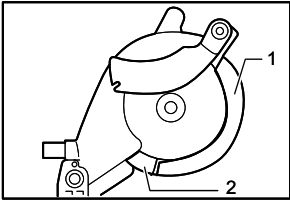
1 006027



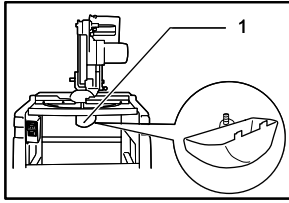
2 006028



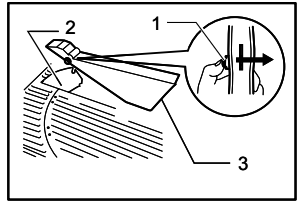
3 006029



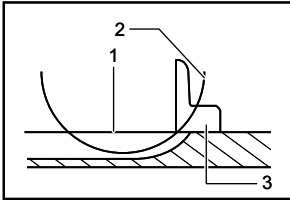
4 006030



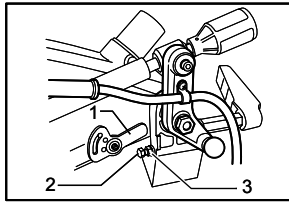
5 006031



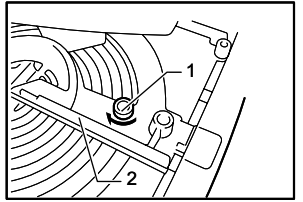
6 006073



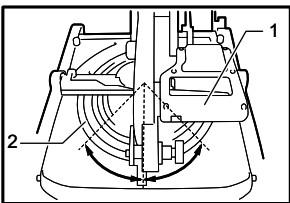
7 001540



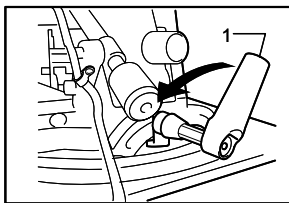
8 006033



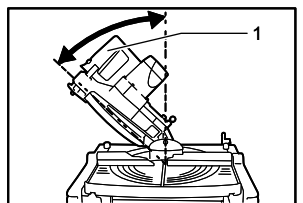
9 006034



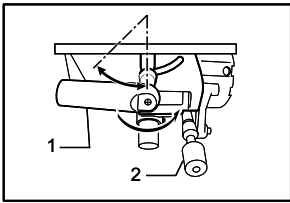
10 006035



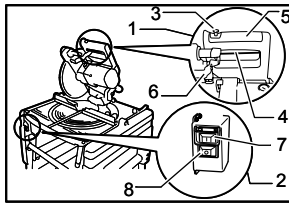
11 006036



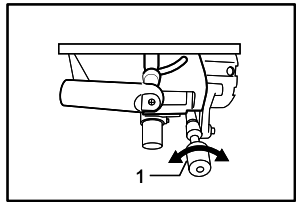
12 006037



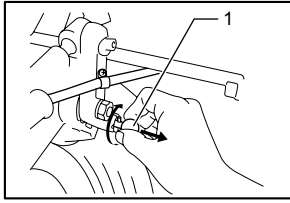
13 006038



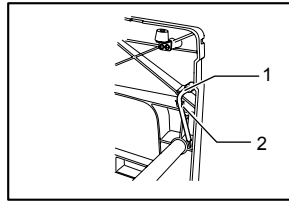
14 006039



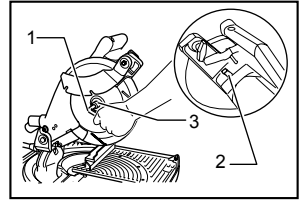
15 006040



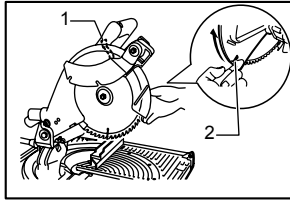
16 006041



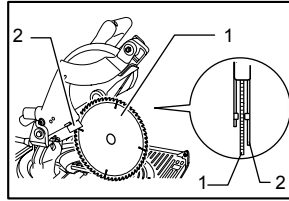
17 006042



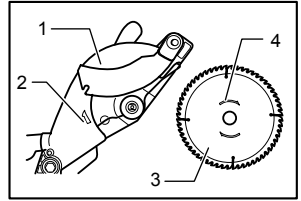
18 006045



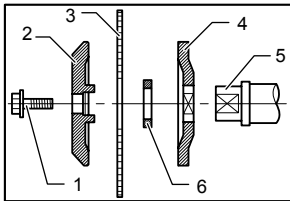
19 006046



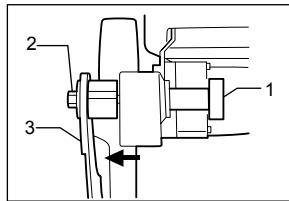
20 006047



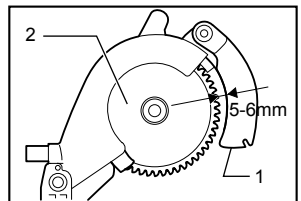
21 006048



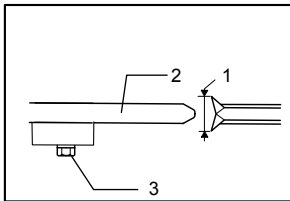
22 006049



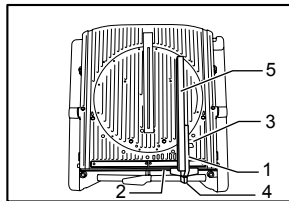
23 006050



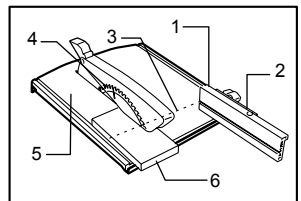
24 006051



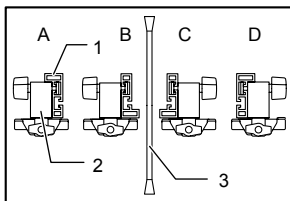
25 006052



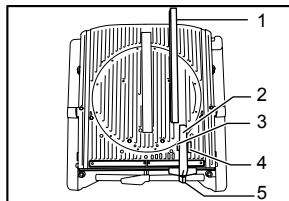
26 006053



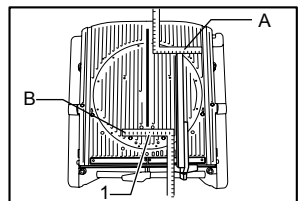
27 006054



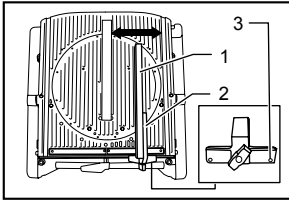
28 006055



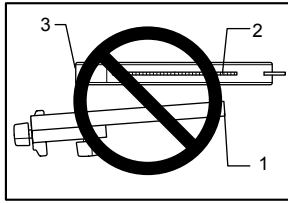
29 006056



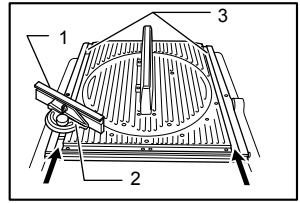
30 006057



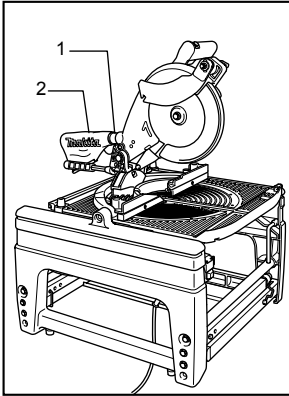
31 006058



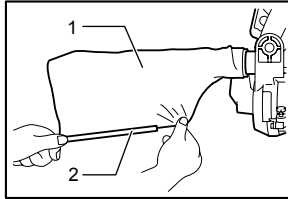
32 006059



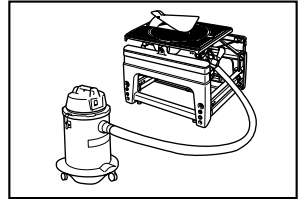
33 006060



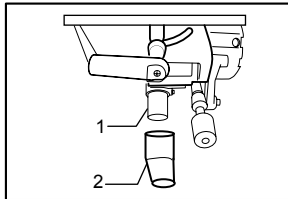
34 006061



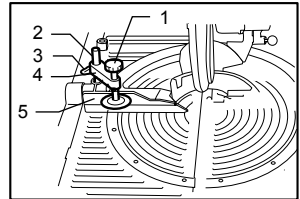
35 005560



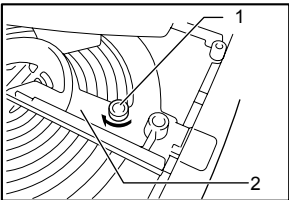
36 006062



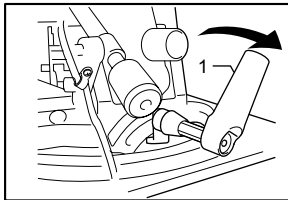
37 006063



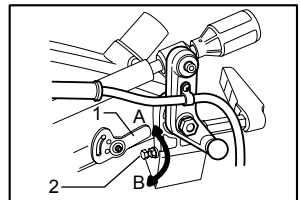
38 006064



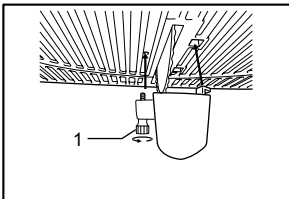
39 006065



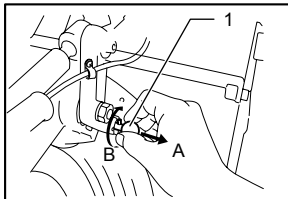
40 006066



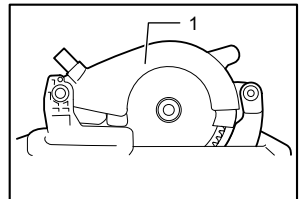
41 006067



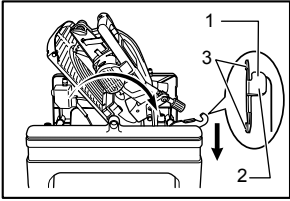
42 006072



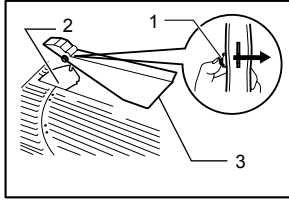
43 006069



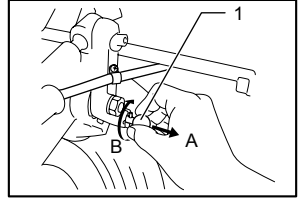
44 006070



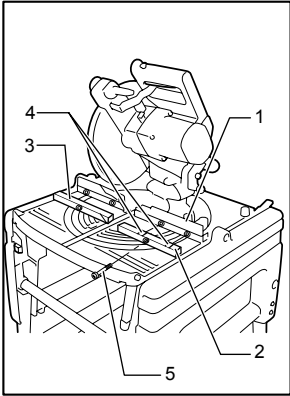
45 006071



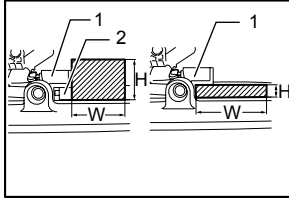
46 006073



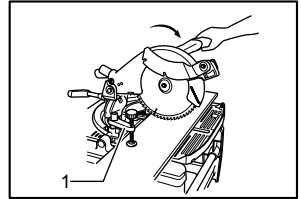
47 006074



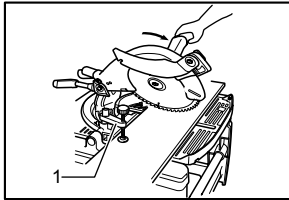
48 006076



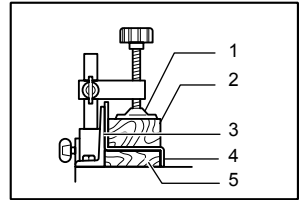
49 006077



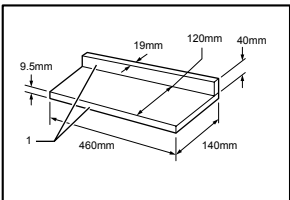
50 006078



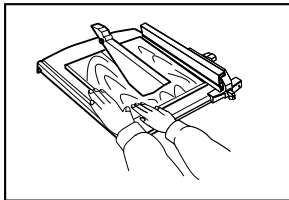
51 006079



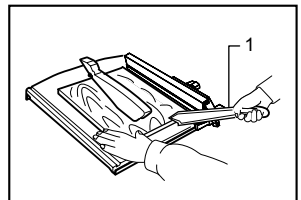
52 001844



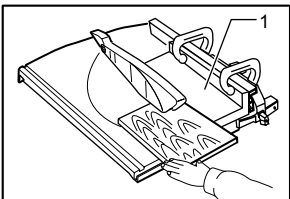
53 006081



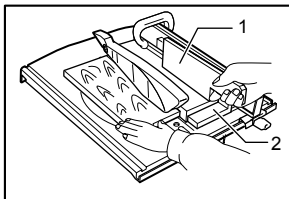
54 006082



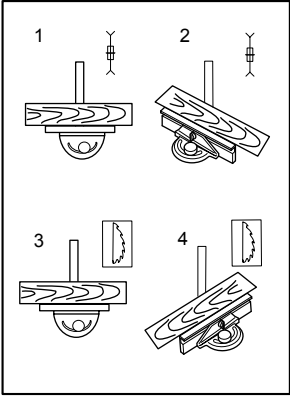
55 006083



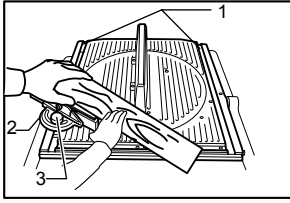
56 006084



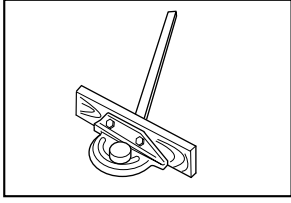
57 006085



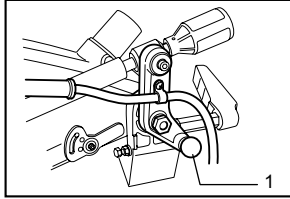
58 006086



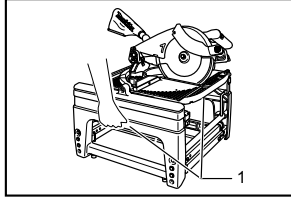
59 006088



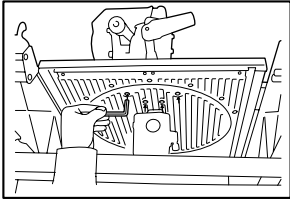
60 006087



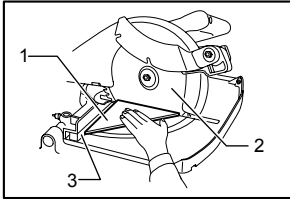
61 006089



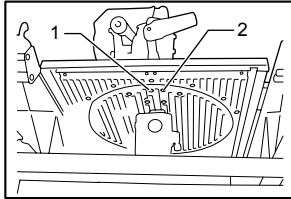
62 006090



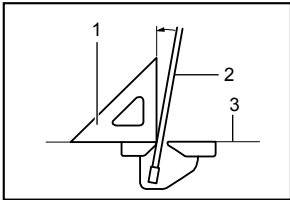
63 006091



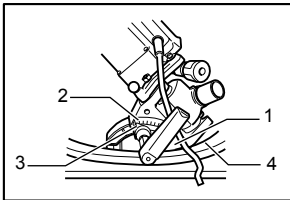
64 006092



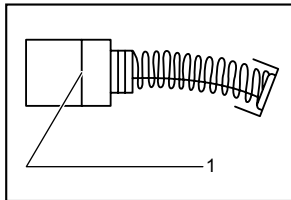
65 006093



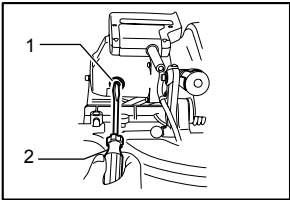
66 001819



67 006094



68 001145



69 006095

ENGLISH

Explanation of general view

- 1-1. Adjusting bolt
- 1-2. Leg
- 2-1. Fix plate
- 2-2. Hex. Bolt
- 3-1. U-shaped grooves
- 4-1. Lower blade guard A
- 4-2. Lower blade guard B
- 5-1. Lower blade guard A (used in the miter saw mode only)
- 6-1. Push button
- 6-2. Riving knife
- 6-3. Top blade guard (used in the table saw mode)
- 7-1. Top surface of turn base
- 7-2. Periphery of blade
- 7-3. Guide fence
- 8-1. Lower limit stopper
- 8-2. Adjusting bolt
- 8-3. Nut
- 9-1. Screw
- 9-2. Guide fence
- 10-1. Handle
- 10-2. Turn table
- 11-1. Lever
- 12-1. Handle
- 13-1. Lever
- 13-2. Cutting depth adjusting knob
- 14-1. Switch in the miter saw mode
- 14-2. Switch in the table saw mode
- 14-3. Lock-off button
- 14-4. Switch trigger
- 14-5. Handle
- 14-6. Lever
- 14-7. On button
- 14-8. Off button
- 15-1. Cutting depth adjusting knob
- 16-1. Stopper pin
- 17-1. Socket wrench
- 17-2. Wrench holder
- 18-1. Socket wrench
- 18-2. Shaft lock
- 18-3. Hex. bolt
- 19-1. Lever
- 19-2. Lifting lever
- 20-1. Saw blade
- 20-2. Blade guard B
- 21-1. Blade case
- 21-2. Arrow
- 21-3. Saw blade
- 21-4. Arrow
- 22-1. Hex. bolt
- 22-2. Outer flange
- 22-3. Saw blade
- 22-4. Inner flange
- 22-5. Spindle
- 22-6. Ring
- 23-1. Clamping nut
- 23-2. Hex. bolt
- 23-3. Riving knife
- 24-1. Riving knife
- 24-2. Saw blade
- 25-1. Blade width
- 25-2. Riving knife
- 25-3. Hex. bolt
- 26-1. Rip fence holder
- 26-2. Guide rail
- 26-3. Clamping screw (A)
- 26-4. Clamping screw (B)
- 26-5. Rip fence
- 27-1. Rip fence
- 27-2. Rip fence holder
- 27-3. Line to be aligned with
- 27-4. Saw blade
- 27-5. Top table
- 27-6. Workpiece
- 28-1. Rip fence
- 28-2. Rip fence holder
- 28-3. Saw blade
- 29-1. Rip fence
- 29-2. Rip fence holder
- 29-3. Square nut
- 29-4. Clamping screw (A)
- 29-5. Clamping screw (B)
- 30-1. Scale
- 31-1. Rip fence
- 31-2. Rip fence holder
- 31-3. Adjusting screw
- 32-1. Rip fence
- 32-2. Saw blade
- 32-3. Top blade guard
- 33-1. Miter gauge fence
- 33-2. Miter gauge
- 33-3. Grooves
- 34-1. Dust nozzle
- 34-2. Dust bag
- 35-1. Dust bag
- 35-2. Fastener
- 37-1. Dust nozzle
- 37-2. Elbow
- 38-1. Vise arm
- 38-2. Vise rod
- 38-3. Guide fence
- 38-4. Vise knob
- 38-5. Screw
- 39-1. Screw
- 39-2. Guide fence
- 40-1. Lever
- 41-1. Lower limit stopper
- 41-2. Adjusting bolt
- 42-1. Screw
- 43-1. Stopper pin
- 44-1. Saw head locked in the fully lowered position
- 45-1. Lever
- 45-2. Area of lever for hand/finger to be placed on
- 45-3. Hooking parts
- 46-1. Push button
- 46-2. Riving knife
- 46-3. Top blade guard (used in the table saw mode)
- 47-1. Stopper pin
- 48-1. Guide fence
- 48-2. Sub-fence R
- 48-3. Sub-fence L
- 48-4. Pin
- 48-5. Screw
- 49-1. When the sub fence is removed
- 49-2. When the sub fence is installed
- 50-1. Vise (optional accessory)
- 51-1. Vise (optional accessory)
- 52-1. Vise
- 52-2. Spacer block
- 52-3. Guide fence
- 52-4. Aluminum extrusion
- 52-5. Spacer block
- 53-1. Face/edge parallel
- 55-1. Push stick
- 56-1. Auxiliary fence
- 57-1. Push block
- 57-2. Auxiliary fence
- 58-1. Cross cutting
- 58-2. Mitering
- 58-3. Bevel cutting
- 58-4. Compound mitering (angles)
- 59-1. Groove
- 59-2. Miter gauge
- 59-3. Knob
- 61-1. Stopper pin
- 62-1. Tool part to be held carrying
- 64-1. triangular rule
- 64-2. Saw blade
- 64-3. Guide fence
- 65-1. 0° adjusting bolt
- 65-2. 45° bevel angle adjusting bolt
- 66-1. Triangular rule
- 66-2. Saw blade
- 66-3. Top surface of turn base
- 67-1. Arm
- 67-2. Bevel scale
- 67-3. Pointer
- 67-4. Turn base
- 68-1. Limit mark
- 69-1. Brush holder cap

SPECIFICATIONS

Model	LF 1000
Blade diameter	260 mm
Hole diameter	
For European countries	30 mm
Max. Cutting capacities (H x W) with blade 260 mm in diameter in the miter saw mode	

Bevel angle	Miter angle
0°	20 mm x 210 mm
	68 mm x 155 mm
45° (left)	50 mm x 150 mm

Max. Cutting capacities at 90° in the table saw (bench saw mode)	70 mm
No load speed (min ⁻¹)	2,700
Table size (W x L)	500 mm x 555 mm
Dimensions (L x W x H1(note 1)/H2(note 2)) at miter saw mode	660 mm x 650 mm x 1,220 mm / 800 mm
in table saw mode	660 mm x 650 mm x 1,060 mm / 845 mm
Net weight	32 kg
Safety class	II/III

Note1 H1: Height up to the tool head

Note2 H2: Height up to the table

- Due to our continuing programme of research and development, the specifications herein are subject to change without notice.
- Note: Specifications may differ from country to country.

END213-4

Symbols

The following show the symbols used for the equipment. Be sure that you understand their meaning before use.



- Read instruction manual.



- DOUBLE INSULATION



- To avoid injury from flying debris, keep holding the saw head down, after making cuts, until the blade has come to a complete stop.



- Do not place hand or fingers close to the blade.



- For your safety, remove the chips, small pieces, etc. from the table top before operation.



- Unplug the tool before turning it over around the axis.



- Position hands properly when carrying.



- Do not lift up the top end of the rip fence when installing or removing it.



- Only for EU countries
Do not dispose of electric equipment together with household waste material! In observance of European Directive 2002/96/EC on waste electric and electronic equipment and its implementation in accordance with national law, electric equipment that have reached the end of their life must be collected separately and returned to an environmentally compatible recycling facility.

ENE061-1

Intended use

The tool is intended for accurate straight and miter cutting in wood. The tool can be used both in miter saw mode and in table saw mode by turning over the table around its axis.

ENF002-1

Power supply

The tool should be connected only to a power supply of the same voltage as indicated on the nameplate, and can only be operated on single-phase AC supply. They are double-insulated in accordance with European Standard and can, therefore, also be used from sockets

without earth wire.

ENG037-1

For European countries only Noise and Vibration

The typical A-weighted noise levels are
sound pressure level: 92 dB (A)
sound power level: 105 dB (A)

Wear ear protection.

The typical weighted root mean square acceleration value is not more than 2.5 m/s².

These values have been obtained according to EN61029.

ENH015-4

Model; LF1000

EC-DECLARATION OF CONFORMITY

We declare under our sole responsibility that this product is in compliance with the following standards of standardized documents;

EN61029, EN55014, EN61000 in accordance with Council Directives, 89/336/EEC, 98/37/EC.

Certificate of adequacy of the technical file with respect to 98/37/EC having been obtained from the following notified body:

Intertek SEMKO AB, Torshamnsgatan 43, Box 1103, SE-164 22 Kista, Sweden

Yasuhiko Kanzaki **CE2005**



000087

Director

MAKITA INTERNATIONAL EUROPE LTD.

Michigan Drive, Tongwell, Milton Keynes, Bucks MK15 8JD, ENGLAND

Responsible manufacturer:

Makita Corporation Anjo Aichi Japan

ENB094-2

ADDITIONAL SAFETY RULES FOR TOOL

FOR BOTH MITER SAW MODE AND TABLE SAW (BENCH SAW) MODE:

1. Wear eye and hearing protection. Other suitable personal protective equipment should be worn.
2. NEVER wear gloves during operation except for replacing saw blades or handling rough material before operation.
3. Keep the floor area around the tool level well maintained and free of loose materials e.g. chips and cut-offs.
4. Do not operate saw without guards and riving knife in place. Check blade guards for proper closing before each use. Do not operate saw if blade guards do not move freely and close instantly. Never clamp or tie the blade guards into the open position. Any irregular operation of the blade guards should be corrected

immediately.

5. Clean and be careful not to damage the spindle, flanges (especially the installing surface) and hex bolt before or when installing the blade. Damage to these parts could result in blade breakage. Poor installation may cause vibration/wobbling or slippage of the blade. Use only flanges specified for this tool.
6. Check the blade carefully for cracks or damage before operation. Do not use saw blade which are damaged or deformed.
7. Use only saw blades recommended by the manufacturer and which conform to EN847-1, and observe that the riving knife must not be thicker than the width of the cut by the saw blade and not thinner than the body of the blade.
8. Always use accessories recommended in this manual. Use of improper accessories such as abrasive cut-off wheels may cause an injury.
9. Select the correct saw blade for the material to be cut.
10. Do not use saw blades manufactured from high speed steel.
11. To reduce the emitted noise, always be sure that the blade is sharp and clean.
12. Use correctly sharpened saw blades. Observe the maximum speed marked on the saw blade.
13. Do not cut metal objects such as nails and screws. Inspect for and remove all nails, screws and other foreign material from the workpiece before operation.
14. Knock out any loose knots from workpiece BEFORE beginning to cut.
15. Do not use the tool in the presence of flammable liquids or gases.
16. For your safety, remove the chips, small pieces, etc. from the work area and table top before plugging the tool and starting operation.
17. The operator is adequately trained in the use, adjustment and operation of the tool.
18. Keep hands and make your bystander and yourself position out of path of and not in line with saw blade. Avoid contact with any coasting blade. It can still cause severe injury and never reach around saw blade.
19. Be alert at all times, especially during repetitive, monotonous operations. Do not be lulled into a false sense of security. Blades are extremely unforgiving.
20. Make sure the shaft lock is released before the switch is turned on.
21. Before using the tool on an actual workpiece, let it run for a while. Watch for vibration or wobbling that could indicate poor installation or a poorly balanced blade.
22. Wait until the blade attains full speed before

- cutting.
23. The tool should not be used for slotting, rabbetting or grooving.
 24. Refrain from removing any cut-offs or other parts of the workpiece from the cutting area whilst the tool is running and the saw head is not in the rest position.
 25. Stop operation immediately if you notice anything abnormal.
 26. Turn off tool and wait for saw blade to stop before moving workpiece or changing settings.
 27. Unplug tool before changing blade, servicing or not in use.
 28. Some dust created from operation contains chemicals known to cause cancer, birth defects or other reproductive harm. Some examples of these chemicals are:
 - lead from lead-based-painted material and,
 - arsenic and chromium from chemically-treated lumber.
 Your risk from these exposures varies, depending on how often you do this type of work. To reduce your exposure to these chemicals: work in a well ventilated area and work with approved safety equipment, such as those dust masks that are specially designed to filter out microscopic particles.
 29. Connect the tool to a dust collecting device when sawing.
 30. Make sure that the table is securely fixed with the lever after turning it over.

WHEN USING IN MITER SAW MODE:

31. Do not use the saw to cut other than wood, aluminum or similar materials.
32. Do not perform operation freehand when cutting workpiece in an area close to saw blade. The workpiece must be secured firmly against the turn table and guide fence during all operations.
33. Make sure that the turn table is properly secured so it will not move during operation.
34. Make sure that the arm is securely fixed when beveling. Tighten the lever clockwise to fix the arm.
35. Make sure the blade does not contact the turn table in the lowest position and is not contacting the workpiece before the switch is turned on.
36. Hold the handle firmly. Be aware that the saw moves up or down slightly during start-up and stopping.

WHEN USING IN THE TABLE SAW (BENCH SAW) MODE:

37. Do not perform any operation freehand.

Freehand means using your hands to support or guide the workpiece, in lieu of a rip fence.

38. Make sure that the turn table is fixed securely.
39. Make sure that the arm is securely fixed in the working position. Tighten the lever clockwise to fix the arm.
40. Use a push stick or a push block to avoid working with the hands and fingers close to the saw blade.
41. Make sure the blade is not contacting the riving knife or workpiece before the switch is turned on.
42. Always store the push-stick when it is not in use.
43. Pay particular attention to instructions for reducing risk of KICKBACK. KICKBACK is a sudden reaction to a pinched, bound or misaligned saw blade. KICKBACK causes the ejection of the workpiece from the tool back towards the operator. KICKBACKS CAN LEAD TO SERIOUS PERSONAL INJURY. Avoid KICKBACKS by keeping the blade sharp, by keeping the rip fence parallel to the blade, by keeping the riving knife and blade guard in place and operating properly, by not releasing the workpiece until you have pushed it all the way past the blade, and by not ripping a workpiece that is twisted or warped or does not have a straight edge to guide along the fence.
44. Avoid abrupt, fast feeding. Feed as slowly as possible when cutting hard workpieces. Do not bend or twist workpiece while feeding. If you stall or jam the blade in the workpiece, turn the tool off immediately. Unplug the tool. Then clear the jam.
45. Before turning over the tool, always make sure that the stopper pin has securely locked the tool head in the lowest position

SAVE THESE INSTRUCTIONS.

INSTALLATION

⚠CAUTION:

Keep the floor area around the tool level well maintained and free of loose materials such as chips and cut-offs.

Bench mounting

For the fully-extended feet set up as the high table

When the tool cannot be set up stable, turn the adjusting nut at the foot of the tool for proper stability. Turn counterclockwise in top viewing to make the foot shorter and clockwise in top viewing to make it longer. After adjustment, make sure that the tool keep stable.

Fig.1

Install the fix plates with its angled end pointing outwards onto three feet of the tool with hex bolts. And secure the tool to the stable and level surface using bolt holes provided in the fix plates with three bolts.

Fig.2

For the folded feet set up as the low table

Fig.3

When the tool is ready in the foot-folded position, secure the tool by using U-shaped grooves shown in the figure.

FUNCTIONAL DESCRIPTION

⚠CAUTION:

- Always be sure that the tool is switched off and unplugged before adjusting or checking function on the tool.

Blade guard

Fig.4

Fig.5

Fig.6

⚠CAUTION:

- Make sure that the handle cannot be lowered without pushing the lever nearby the handle to the left.
- Make sure that the lower blade guards A dose not open unless the lever near the handle is pushed at the topmost position of the handle.
- Make sure that the lower blade guard C is installed before using in miter saw mode.

When lowering the handle while pushing the lever to the left, the lower blade guard A rises automatically. The lower blade guard B rises as it contacts a workpiece. The lower blade guards are spring loaded so it returns to its original position when the cut is completed and the handle is raised. The top blade guard falls flat on the table surface after workpiece has passed under it. NEVER DEFEAT OR REMOVE THE LOWER BLADE GUARDS, THE SPRING WHICH ATTACHES TO THE LOWER BLADE GUARD, OR THE TOP BLADE GUARD except for the note below.

In the interest of your personal safety, always maintain each blade guard in good condition. Any irregular operation of the guards should be corrected immediately. Check to assure spring loaded return action of the lower blade guards. NEVER USE THE TOOL IF THE LOWER BLADE GUARD, SPRING OR THE TOP BLADE GUARD ARE DAMAGED, FAULTY OR REMOVED except for the note below. DOING SO IS HIGHLY DANGEROUS AND CAN CAUSE SERIOUS PERSONAL INJURY.

NOTE:

- There are the following exceptions for removal of guards. Only when using in the table saw mode,

the lower blade guard C is removed. Only when using in the miter saw mode, the top blade guard is removed.

If any of these see-through blade guards becomes dirty, or sawdust adheres to it in such a way that the blade is no longer easily visible, unplug the saw and clean the guards carefully with a damp cloth. Do not use solvents or any petroleum-based cleaners on the plastic guard.

If the lower blade guard A is especially dirty and vision through the guard is impaired, proceed as follows. Raise the handle fully. Remove the saw blade (Refer to the section "Installing or removing saw blade"). Raise the lower blade guard A while pushing the lever to the left. With the lower blade guard A so positioned, cleaning can be more completely and efficiently accomplished. When cleaning is complete, reverse procedure above and secure bolt.

In the same case for the top blade guard as above stated, push in the button at its front to the surface top and remove the top blade guard. After cleaning, always reinstall it securely.

If any of these blade guards becomes discolored through age or UV light exposure, contact a Makita service center for a new guard. DO NOT DEFEAT OR REMOVE GUARDS.

Maintaining maximum cutting capacity

Fig.7

This tool is factory adjusted to provide the maximum cutting capacity for a 260 mm saw blade.

When installing a new blade, always check the lower limit position of the blade and if necessary, adjust it as follows:

⚠CAUTION:

- When making this adjustment, unplug the tool. First, unplug the tool. Lower the handle completely. Use the wrench to turn the adjusting bolt until the periphery of the blade extends slightly below the top surface of the turn table at the point where the front face of the guide fence meets the top surface of the turn table. With the tool unplugged, rotate the blade by hand while holding the handle all the way down to be sure that the blade does not contact any part of the lower base. Re-adjust slightly, if necessary.

⚠CAUTION:

- After installing a new blade, always be sure that the blade does not contact any part of the lower base when the handle is lowered completely. Always do this with the tool unplugged.

This tool can be used with or without the lower limit by shifting the lower limit stopper as shown in the figure.

To use the tool without the lower limit, turn the stopper end counterclockwise. Use in this position is proper to cut a wide and thin workpiece.

To use the tool with the lower limit, move the stopper end clockwise. Use in this position is proper to cut a thick workpiece.

Fig.8

Adjusting the miter angle

Fig.9

Fig.10

Loosen the clamping screw on the guide fence by turning counterclockwise. Turn the turn table by handle. When you have moved the handle to the position where the pointer points to the desired angle on the miter scale, securely tighten the clamping screw clockwise.

⚠CAUTION:

- When turning the turn table, be sure to raise the handle fully.
- After changing the miter angle, always secure the turn table by tightening the clamping screw firmly.

Adjusting the bevel angle

In the miter saw mode

Fig.11

Fig.12

To adjust the bevel angle, loosen the lever at the rear of the tool counterclockwise.

Push the handle to the left to tilt the saw blade until the pointer points to the desired angle on the bevel scale. Then tighten the lever clockwise firmly to secure the arm.

⚠CAUTION:

- When tilting the saw blade, be sure to raise the handle fully.
- After changing the bevel angle, always secure the arm by tightening the lever clockwise.

In the table saw mode

Fig.13

To adjust the bevel angle, loosen the lever under the table at the front of the tool counterclockwise.

Move the depth adjusting knob to the left to tilt the saw blade until the pointer points to the desired angle on the bevel scale. Then tighten the lever clockwise firmly to secure the arm.

Switch action

Fig.14

Switch for the miter saw mode

⚠CAUTION:

- Before plugging in the tool, always check to see that the switch lever actuates properly and returns to the "OFF" position when released.
- When not using the tool, remove the lock-off button and store it in a secure place. This prevents unauthorized operation.
- Do not pull the switch lever hard without pressing in the lock-off button. This can cause switch breakage.

To prevent the switch lever from being accidentally pulled, a lock-off button is provided. To start the tool, push the lock lever to the left, press in the lock-off button and then pull the switch lever. Release the switch lever to stop.

Switch for the table saw mode

⚠CAUTION:

- Before operation, make sure that the tool is turned on and off.

To start the tool, press the ON (I) button. To stop it, press the OFF (O) button.

Adjusting the depth of cut

Fig.15

The depth of cut can be adjusted by turning the cutting depth adjusting knob. Turn the cutting depth adjusting knob clockwise to raise the blade or counterclockwise to lower it.

⚠WARNING:

- Use a shallow depth setting when cutting thin materials in order to obtain a cleaner cut.

⚠CAUTION:

- The stopper pin cannot be turned with the tool head at fully lowered position. At this time, turn the knob counterclockwise slightly and the stopper pin can be released.

Fig.16

ASSEMBLY

⚠CAUTION:

- Always be sure that the tool is switched off and unplugged before carrying out any work on the tool.

Socket wrench storage

Fig.17

The socket wrench is stored as shown in the figure. When using the socket wrench, pull it out of the wrench holder. After using the socket wrench, return it to the wrench holder.

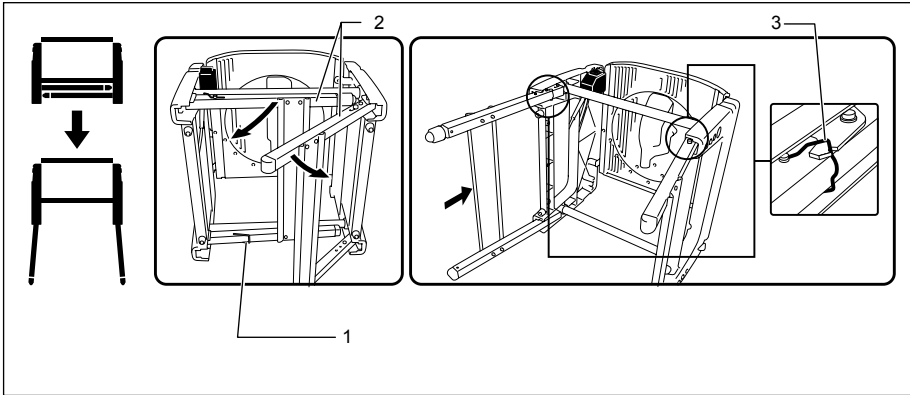
Table height two-way set up

The table height can be set up in two ways, high or low table.

⚠WARNING:

- Before falling down the tool backwards, always set the tool in the miter saw mode and lock the tool head in the lowest position.

1. High table set up



1. Hook
2. Feet
3. Stopper hook

006043

To set up the tool with high table, proceed as follows.

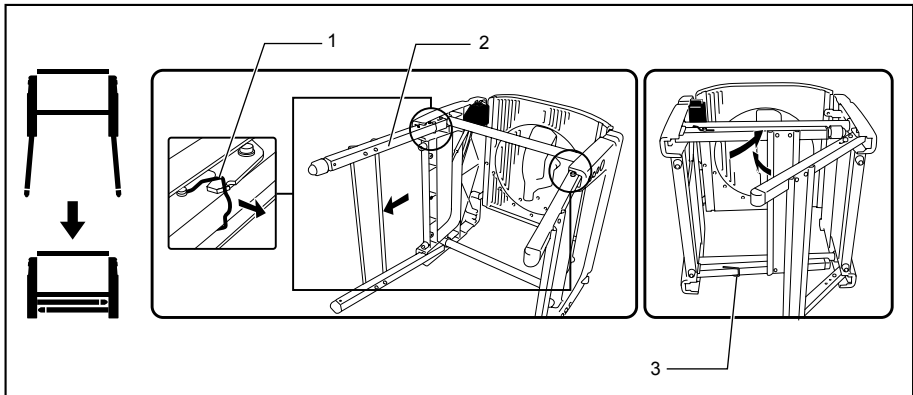
- (1) Fall down the tool carefully **BACKWARDS** without fail while holding it with both hands.
- (2) Turn the hook in the direction of arrow in the figure to unbundle the feet. Open the table feet on one side and push the bottom bar of the feet forward fully to be locked by itself. Take the same procedure for the feet on the

opposite side. Make sure that the feet at both sides are completely locked.

⚠ **WARNING:**

- Make sure that the stopper hooks are perfectly positioned in the groove of the bracket.
- (3) Return the tool to the upright position.

2. Low table set up



1. Stopper hook
2. Feet
3. Hook

006044

The feet can be folded as shown in the figure. To fold down the tool, do as follows.

- (1) Fall down the tool carefully **BACKWARDS** without fail while holding it with both hands.
- (2) Pull up first the stopper at the joint of left feet

toward yourself to unlock it

- (3) Take the same steps for the opposite feet as above.
- (4) Use a hook to bundle these feet.
- (5) Return the tool to the upright position.

Installing or removing saw blade

⚠CAUTION:

- Always be sure that the tool is switched off and unplugged before installing or removing the blade.
- Use only the Makita socket wrench provided to install or remove the blade. Failure to do so may result in overtightening or insufficient tightening of the hex bolt. This could cause an injury.

Move up the handle in the fully raised position.

Press the shaft lock to lock the spindle, use the socket wrench to loosen the hex bolt clockwise.

Fig.18

Raise the blade guard A with its lifting lever while pushing the lever nearby the handle to the left. With the blade guard A raised, remove the hex bolt, outer flange and blade.

Fig.19

To install the blade, mount it carefully onto the spindle, making sure that the direction of the arrow on the surface of the blade matches the direction of the arrow on the blade case. Install the outer flange and hex bolt, and then use the socket wrench to tighten the hex bolt (left-handed) securely counterclockwise while pressing the shaft lock.

Fig.20

Fig.21

NOTE:

- When installing a saw blade, be sure to insert it between the blade guard B at first and then raise it so that the blade is finally placed in the blade guard B.

For all countries other than European countries

Fig.22

⚠CAUTION:

- The silver ring 25.4 mm in outer diameter is factory-installed onto the spindle. The black ring 25 mm in outer diameter is included as standard equipment. Before mounting the blade onto the spindle, always be sure that the correct ring for the arbor hole of the blade you intend to use is installed onto the spindle.

For European countries

⚠CAUTION:

- The ring 30 mm in outer diameter is factory-installed between the inner and outer flanges.

Return the lower blade guard A to its original position. Lower the handle to make sure that the lower blade guards move properly. Make sure shaft lock has released spindle before making cut.

Adjusting riving knife

Fig.23

There must be a clearance of about 5 - 6 mm between the riving knife and the blade teeth when pushing the riving knife toward the blade fully. Adjust the riving knife accordingly by first loosening clamping nut by hand counterclockwise and then loosening hex bolt counterclockwise with the hex socket wrench, and measuring the distance. After adjustment, securely tighten the hex bolt and then the clamping nut clockwise. Always check to see that the riving knife is secured and that the top blade guard works smoothly before cutting.

Fig.24

The riving knife has been installed before shipment from the factory so that the blade and riving knife are in a straight line after your simple set-up. Refer to the section titled " Repositioning riving knife " for the set-up.

Fig.25

⚠CAUTION:

- If the blade and riving knife are not aligned properly, a dangerous pinching condition may result during operation. Make sure the riving knife is positioned between both outer ends of the blade teeth when viewing from the top. You could suffer serious personal injury while using the tool without a properly aligned riving knife. If they are not aligned for any reasons, always have Makita authorized service center repair it.
- When adjusting the riving knife clearance from the blade teeth, always loosen the hex bolt only after loosening the clamping nut.

Installing and adjusting rip fence

Fig.26

1. Install the rip fence on the table so that the rip fence holder engages with the guide rail. Tighten the clamping screw (B) of the rip fence firmly clockwise.
2. Loosen the clamping screw (A).
3. Slide the rip fence and secure it so that the far end from you of the rip fence is aligned with the point at which the front edge of saw blade just appears from top surface of the workpiece. The purpose of this adjustment is to reduce risk of kick-back toward operator that cut piece from the workpiece is pinched between the saw blade and rip fence and finally pushed out toward operator. The line (A) varies by thickness of workpiece or the table level. Adjust the position of the rip fence according to the thickness of the workpiece. After adjusting the rip fence, tighten the clamping screw (A) firmly.

Fig.27

NOTE:

- There are four patterns to position the rip fence as shown in the figure. Rip fence has two slits on its sides, one slit with an elevated fringe nearby on the same side and the other without it. Use the surface of rip fence with this fringe facing the workpiece only when cutting off into a piece of a thin workpiece.

Fig.28

NOTE:

- To change the rip fence pattern, remove the rip fence from the rip fence holder by loosening the clamping screw (A) and change the facing of the rip fence to the rip fence holder so that the rip fence faces the rip fence holder according to your work as shown in the figure.
Insert the square nut on the rip fence holder into the back end of either slit of the rip fence so that they fit as shown in the figure..

To change from the pattern A or B to the pattern C or D, or in adverse case, remove the square nut and clamping screw (A) from the rip fence holder, then position the clamping screw (A) and square nut on the opposite position of the rip fence holder compared to the original position Tighten the clamping screw (A) securely after inserting the square nut of the rip fence holder into the rip fence slit.

Insert the square nut on the rip fence holder into the back end of either slit of the rip fence so that they fit as shown in the figure..

Fig.29

The rip fence is factory adjusted so that it is parallel to the blade surface. Make sure that it is parallel. To check to be sure that the rip fence is parallel with the blade, adjust the blade height with the cutting depth adjusting knob so that the blade appears at the topmost position from the table. Mark one of the blade teeth with a crayon. Measure the distance (A) and (B) between the rip fence and blade. Take both measurements using the tooth marked with the crayon. These two measurements should be identical If the rip fence is not parallel with the blade, proceed as follows:

Fig.30

- (1) Turn the adjusting screw counterclockwise.

Fig.31

Fig.32

- (2) Shift the front edge of the rip fence slightly to right or left until it becomes parallel with the blade.
- (3) Tighten the adjusting screw on the rip fence firmly.

⚠CAUTION:

- Be sure to adjust the rip fence so that it is parallel with the blade, or a dangerous kickback condition may occur.
- Be sure to adjust the rip fence so that it does not contact the top blade guard or saw blade.
- Do not relocate or carry the tool by rip fence.
- Raising the installed rip fence or exerting a force on it to the right and left with your hand grabbing its top end may damage it and impair its function.

Installing and adjusting miter gauge

Fig.33

Install the miter gauge by inserting its shaft into one of two grooves in the table from the front. Miter gauge fence that is also used as rip fence can be installed on the miter gauge according to your work.

Dust bag

Fig.34

The use of the dust bag makes cutting operations clean and dust collection easy. To attach the dust bag, fit it onto the dust nozzle.

When the dust bag is about half full, remove the dust bag from the tool and pull the fastener out. Empty the dust bag of its contents, tapping it lightly so as to remove particles adhering to the insides which might hamper further collection.

Fig.35

If you connect a vacuum cleaner to your saw, more efficient and cleaner operations can be performed.

Fig.36

Elbow

Fig.37

⚠CAUTION:

- Point the discharge opening of the elbow to the direction in which the exhaust dust and chips do not fly out toward the tool and persons in work area.

Attach the elbow when changing the direction of dust discharge.

Securing workpiece

⚠WARNING:

- It is extremely important to always secure the workpiece properly and tightly with the vise. Failure to do so can cause the tool to be damaged and/or the workpiece to be destroyed. PERSONAL INJURY MAY ALSO RESULT. Also, after a cutting operation, DO NOT raise the blade until the blade has come to a complete stop.

Vertical vise

Fig.38

The vertical vise can be installed in two positions on either the left or right side of the guide fence. Insert the vise rod into the hole in the guide fence and tighten the

clamping screw to secure the vise rod.

Position the vise arm according to the thickness and shape of the workpiece and secure the vise arm by tightening the clamping screw. If the screw to secure the vise arm contacts the guide fence, install the clamping screw on the opposite side of vise arm. Make sure that no part of the tool contacts the vise when lowering the handle all the way. If some part contacts the vise, re-position the vise.

Press the workpiece flat against the guide fence and the turn table. Position the workpiece at the desired cutting position and secure it firmly by tightening the vise knob.

⚠ CAUTION:

- The workpiece must be secured firmly against the turn table and guide fence.

Setting up the tool in table saw mode

⚠ CAUTION:

- Before use in the table saw mode, make sure that the turn table has been secured at 0° miter angle with the clamping screw on the guide fence.
- Before use in the table saw mode, make sure that the tool head has been secured with the lever.

- Before use in the table saw mode, make sure that the riving knife has been secured in place properly.
- Before use in the table saw mode, remove the lower blade guard C.
- In table saw mode, release the lower limit stopper.

The tool is shipped from the factory with the set-up in miter saw mode. Before use in table saw mode, change the set up and follow the procedure below.

1. Securing the turn table

Fig.39

To secure the turn table, tighten the clamping screw firmly on the guide fence at 0° miter angle.

2. Securing the tool head

Fig.40

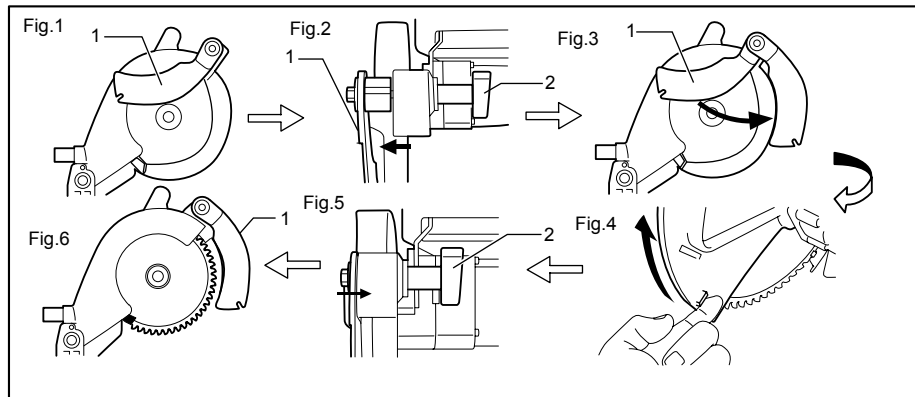
Secure the tool head by tightening the lever in the direction of arrow shown in the figure.

3. Releasing the lower limit stopper

Fig.41

Make sure that the end of the lower limit stopper is at the A position in the figure. Turn the end of the lower limit stopper counterclockwise to the A position when it is positioned at the B position.

4. Repositioning the riving knife



1. Riving knife
2. Clamping nut
006068

The position (Fig. 1) should be changed as follows.

- (1) Loosen the clamping nut (Fig. 2).
- (2) Pull and pivot the riving knife to the position at the angle of 90° in the direction of arrow (Fig. 3). And push in it slightly so that it become still in this position.
- (3) Raise the lower blade guard A fully using its lug by hand while pushing the lever nearby the handle to the left, and release the lever nearby the handle (Fig. 4).
- (4) Push the riving knife in the direction of arrow (see Fig. 5) so that it is aligned with the saw blade.

- (5) After pushing the riving knife in the direction of arrow shown in the figure, release the lower blade guard A.
- (6) After aligning the riving knife, tighten the clamping nut securely (see Fig. 6)

5. Removing the lower blade guard C

Fig.42

Remove the lower blade guard C from the table by loosening the clamping screw.

6. Locking the tool head at fully lowered position

Fig.43

Fig.44

After setting up the riving knife in position for

table saw mode, pull the stopper in the direction of arrow A and turn it to the angle of 90° in the direction of arrow B with the stopper pulled. Then lower the handle to lock the tool head.

⚠CAUTION:

- When the tool head cannot be locked in the fully lowered position, turn the depth adjusting knob by several turns clockwise.
- Before turning over the tool, always make sure that the stopper pin has securely locked the tool head in the lowest position.

7. Turning over the tool

⚠WARNING:

- Make sure that the tool is switched off and unplugged before turning over.
- When pushing down the lever, be sure to place your hand/finger away from the lever-table fitting area.

Fig.45

Hold the middle edge of table with one hand, push the lever down with the other hand while holding the table edge firmly and pivot the table carefully to turn it over. Keep holding it until it locks.

8. Installing the top blade guard

Fig.46

Push the push button of the top blade guard to its side surface, place it on the notch of the riving knife with the button depressed and release the button. After releasing the push button, make sure that the top blade guard is secured by trying to pull it out.

⚠CAUTION:

- After installing the top blade guard, make sure that it works smoothly.

Setting up the tool in miter saw mode

⚠WARNING:

- Be sure to install the lower blade guard C before using the tool in miter saw mode.

To change the set up from table saw mode to miter saw mode, reverse the procedure of the section titled "Setting up the tool in table saw mode"

1. Removing the top blade guard

Push the push button of the top blade guard to its side surface and then just take away the top blade guard upward with the button depressed.

2. Installing the lower blade guard C

Place the lower blade guard C on the table so that it fits in the slot of the table and tightening the clamping screw firmly.

3. Turning over the tool

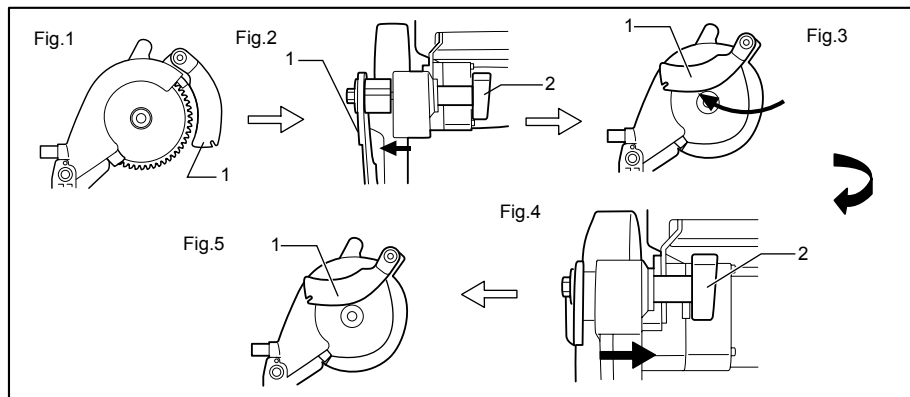
Refer to the same titled section in the "Setting up the tool in table saw mode".

4. Releasing the tool head from fully lowered position

Fig.47

While holding the handle, pull the stopper pin in the direction of arrow A, turn it to the angle of 90° in the direction of arrow B with the stopper pin pulled and then raise the handle slowly.

5. Repositioning riving knife



- 1. Riving knife
- 2. Clamping nut

006075

The position of riving knife (Fig. 1) should be changed as follows.

- (1) Loosen the clamping nut and hold the lower blade guard A using its lug by hand (Fig. 2).

- (2) While holding the lower blade guard A, pull the riving knife so that it turns and pivot it to the position in the direction of arrow (Fig. 3).
- (3) With the riving knife held in that position, return the lower blade guard A to the original

position and tighten the clamping nut securely (Fig. 4, 5).

6. Installing or removing the sub fences R and L

Fig.48

⚠CAUTION:

- When cutting a workpiece over 20 mm thick, make sure that the sub fences R and L are securely installed with a screw.
- Removal of the sub fences R and L are convenient for cutting wide and thin workpiece.
- When cutting a workpiece up to 20 mm thick and more than 180 mm wide, remove the sub fences R and L by removing the screw shown in the figure.
- When cutting a workpiece over 20 mm thick, install the sub fences R and L securely with a screw.
- Refer to the table below for the relation between the size of workpiece and use/unuse of sub fences R and L.

Fig.49

	Workpiece size (H x W)	use/unuse of sub fences
1	68 mm x 155 mm	with sub fences
2	20 mm x 210 mm	without sub fences

006577

OPERATION

⚠CAUTION:

- Before use, be sure to release the handle from the lowered position by pulling the stopper pin and turning it to the angle of 90°.
- Make sure the blade is not contacting the workpiece, etc. before the switch is turned on.

CUTTING AS MITER SAW

⚠WARNING:

- Make sure that the lower blade guard C is installed before using in miter saw mode.

⚠CAUTION:

- Do not apply excessive pressure on the handle when cutting. Too much force may result in overload of the motor and/or decreased cutting efficiency. Push down handle with only as much force as is necessary for smooth cutting and without significant decrease in blade speed.
- Gently press down the handle to perform the cut. If the handle is pressed down with force or if lateral force is applied, the blade will vibrate and leave a mark (saw mark) in the workpiece and the precision of the cut will be impaired.

1. Press cutting

Fig.50

Secure the workpiece against guide fence and turn table. Switch on the tool without the blade making any contact and wait until the blade attains full speed before lowering. Then gently lower the handle to the fully lowered position to cut the

workpiece. When the cut is completed, switch off the tool and WAIT UNTIL THE BLADE HAS COME TO A COMPLETE STOP before returning the blade to its fully elevated position.

2. Miter cutting

Refer to the previously covered "Adjusting the miter angle".

3. Bevel cut

Fig.51

Loosen the lever and tilt the saw blade to set the bevel angle (Refer to the previously covered "Adjusting the bevel angle"). Be sure to retighten the lever firmly to secure the selected bevel angle safely. Secure the workpiece against guide fence and turn table. Switch on the tool without the blade making any contact and wait until the blade attains full speed. Then gently lower the handle to the fully lowered position while applying pressure in parallel with the blade. When the cut is completed, switch off the tool and WAIT UNTIL THE BLADE HAS COME TO A COMPLETE STOP before returning the blade to its fully elevated position.

⚠CAUTION:

- Always be sure that the blade will move down to bevel direction during a bevel cut. Keep hands out of path of saw blade.
- During a bevel cut, it may create a condition whereby the piece cut off will come to rest against the side of the blade. If the blade is raised while the blade is still rotating, this piece may be caught by the blade, causing fragments to be scattered which is dangerous. The blade should be raised ONLY after the blade has come to a complete stop.
- When pressing the handle down, apply pressure parallel to the blade. If the pressure is not parallel to the blade during a cut, the angle of the blade might be shifted and the precision of the cut will be impaired.

4. Compound cutting

Compound cutting is the process in which a bevel angle is made at the same time in which a miter angle is being cut on a workpiece. Compound cutting can be performed at angle shown in the table.

Bevel angle	Miter angle
45°	Left and Right 0° - 45°

006366

When performing compound cutting, refer to "Press cutting", "Miter cutting" and "Bevel cut" explanations.

5. Cutting aluminum extrusion

Fig.52

When securing aluminum extrusions, use spacer blocks or pieces of scrap as shown in the figure to prevent deformation of the aluminum. Use a cutting lubricant when cutting the aluminum

extrusion to prevent build-up of the aluminum material on the blade.

⚠CAUTION:

- Never attempt to cut thick or round aluminum extrusions. Thick aluminum extrusions may come loose during operation and round aluminum extrusions cannot be secured firmly with this tool.
- Never cut aluminum in the table saw mode (bench mode).

CUTTING AS TABLE SAW (BENCH MODE)

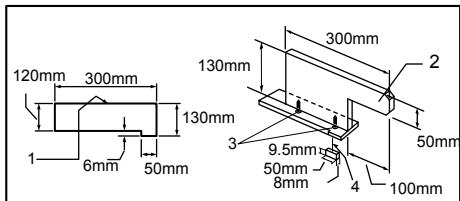
⚠CAUTION:

- Always use "work helpers" such as push sticks and push blocks when there is a danger that your hands or fingers will come close to the blade.
- Always hold the workpiece firmly with the table and the rip fence. Do not bend or twist it while feeding. If the workpiece is bent or twisted, dangerous kickbacks may occur.
- NEVER withdraw the workpiece while the blade is running. If you must withdraw the workpiece before completing a cut, first switch the tool off while holding the workpiece firmly. Wait until the blade has come to a complete stop before withdrawing the workpiece. Failure to do so may cause dangerous kickbacks.
- NEVER remove cut-off material while the blade is running.
- NEVER place your hands or fingers in the path of the saw blade.
- Always secure the rip fence firmly, or dangerous kickbacks may occur.
- Always use "work helpers" such as push sticks and push blocks when cutting small or narrow workpieces, or when the is hidden from view while cutting.

Work helpers

Push sticks, push blocks or auxiliary fence are types of "work helpers". Use them to make safe, sure cuts without the need for the operator to contact the blade with any part of the body.

Push block



1. Face/edge parallel
2. handle
3. Wood screw
4. Guide together

006080

Use a 19 mm piece of plywood.

Handle should be in center of plywood piece. Fasten with glue and wood screws as shown. Small piece 9.5 mm x 8 mm x 50 mm of wood must always be glued to plywood to keep the blade from dulling if the operator cuts into push block by mistake. (Never use nails in push block.)

Auxiliary fence

Fig.53

Make auxiliary fence from 9.5 mm and 19 mm plywood pieces.

Ripping

⚠CAUTION:

- When ripping, remove the miter gauge from the table.
 - When cutting long or large workpieces, always provide adequate support behind the table. DO NOT allow a long board to move or shift on the table. This will cause the blade to bind and increase the possibility of kickback and personal injury. The support should be at the same height as the table.
1. Adjust the depth of cut a bit higher than the thickness of the workpiece. To make this adjustment, refer to the section titled " Adjusting the depth of cut ".
 2. Position the rip fence to the desired width of rip and secure in place by tightening the clamping screw (A). Before ripping, make sure the two screws of the rip fence holder are secured. If it is not secured enough, retighten it.
 3. Turn the tool on and gently feed the workpiece into the blade along with the rip fence.
 - (1) When the width of rip is 150 mm and wider, carefully use one hand to feed the workpiece. Use another hand to hold the workpiece in position against the rip fence.

Fig.54

- (2) When the width of rip is 65 mm - 150 mm wide, use the push stick to feed the workpiece.

Fig.55

- (3) When the width of rip is narrower than 65 mm, the push stick cannot be used because the push stick will strike the blade guard. Use the auxiliary fence and push block. Attach the auxiliary fence to the rip fence with two "C" clamps.

Fig.56

Feed the workpiece by hand until the end is about 25 mm from the front edge of the top table. Continue to feed using the push block on the top of the auxiliary fence until the cut is complete.

Fig.57

Cross cutting

⚠CAUTION:

- When making a crosscut, remove the rip fence from the table.
- When cutting long or large workpieces, always provide adequate support to the sides of the table. The support should be at the same height as the table.
- Always keep hands away from the path of blade.

Miter gauge

Use the miter gauge for the 4 types of cutting shown in the figure.

Fig.58

⚠CAUTION:

- Secure the knob on the miter gauge carefully.
- Avoid creep of workpiece and gauge by firm work-holding arrangement, especially when cutting at an angle.
- NEVER hold or grasp the intended "cut-off" portion of the workpiece.

Use of miter gauge

Fig.59

Slide the miter gauge into the thick grooves in the table. Loosen the knob on the gauge and align to desired angle (0° to 60°). Bring stock flush up against fence and feed gently forward into the blade.

Auxiliary wood facing (miter gauge)

Fig.60

To prevent a long board from wobbling, fit the miter gauge with an auxiliary fence board. Fasten with bolts/nuts after drilling holes, but fasteners must not protrude from the face board.

Carrying tool

Fig.61

Make sure that the tool is unplugged. For the tool just used in the miter saw mode, secure the blade at 0° bevel angle and the turn table at 0° miter angle. Lower the handle fully and lock it in the lowered position by fully pushing in the stopper pin. Carry the tool by holding the tool part shown in the figure.

Fig.62

⚠CAUTION:

- Always secure all moving portions before carrying the tool.
- Before carrying the tool, always set up the tool in the miter saw mode.
- Make sure that the lower blade guard C is installed on the tool.

MAINTENANCE

⚠CAUTION:

- Always be sure that the tool is switched off and unplugged before attempting to perform inspection or maintenance.

⚠WARNING:

- Always be sure that the blade is sharp and clean for the best and safest performance.

Adjusting the cutting angle

This tool is carefully adjusted and aligned at the factory, but rough handling may have affected the alignment. If your tool is not aligned properly, perform the following:

1. Miter angle

Fig.63

Miter angle 0° adjusting bolts are located in four positions.

Loosen four miter angle 0° adjusting bolts by turning counterclockwise from the underside of the table.

Lower the handle fully and lock it in the lowered position by pulling and rotating the stopper pin to the angle of 90° clockwise. Square the side of the blade with the face of the guide fence using a triangular rule, try-square, etc. Then securely tighten the four adjusting bolts on the sub arm from the underside of the table. Make sure that the pointer points to 0° on the miter scale. If not so, adjust the pointer position by loosening the screw securing the pointer. After adjusting it, securely tighten the screw.

Fig.64

2. Bevel angle

Fig.65

(1) 0° bevel angle

Lower the handle fully and lock it in the lowered position by pulling and rotating the stopper pin to the angle of 90° clockwise. Loosen the lever at the rear of the tool.

Turn, from the underside of the table, the 0° bevel angle adjusting bolt on the right side of the sub arm two or three revolutions counterclockwise to tilt the blade to the right. Carefully square the side of the blade with the top surface of the turn table using the triangular rule, try-square, etc. by turning the 0° bevel angle adjusting bolt clockwise.

Fig.66

Make sure that the pointer on the turn table point to 0° on the bevel scale on the arm. If it does not point to 0°, loosen the screw which secures the pointer and adjust the pointer so that it will point to 0°.

Fig.67

(2) 45° bevel angle

Adjust the 45° bevel angle only after performing 0° bevel angle adjustment. To adjust left 45° bevel angle, loosen the lever and tilt the blade to the left fully. Make sure that the pointer on the arm points to 45° on the bevel scale on the arm. If the pointer does not point to 45°, turn, from the underside of the table, the 45° bevel angle adjusting bolt on the left side of the sub arm until the pointer points to 45°.

- Elbow
- Top cover assy (Top blade guard)

Replacing carbon brushes**Fig.68**

Remove and check the carbon brushes regularly. Replace when they wear down to the limit mark. Keep the carbon brushes clean and free to slip in the holders. Both carbon brushes should be replaced at the same time. Use only identical carbon brushes.

Use a screwdriver to remove the brush holder caps. Take out the worn carbon brushes, insert the new ones and secure the brush holder caps.

Fig.69**After use**

- After use, wipe off chips and dust adhering to the tool with a cloth or the like to assure maximum service life. Keep the blade guards clean according to the directions in the previously covered section titled "Blade guard". Lubricate the sliding portions with machine oil to prevent rust.

To maintain product SAFETY and RELIABILITY, repairs, any other maintenance or adjustment should be performed by Makita Authorized Service Centers, always using Makita replacement parts.

ACCESSORIES**⚠CAUTION:**

- These accessories or attachments are recommended for use with your Makita tool specified in this manual. The use of any other accessories or attachments might present a risk of injury to persons. Only use accessory or attachment for its stated purpose.

If you need any assistance for more details regarding these accessories, ask your local Makita Service Center.

- Steel & Carbide-tipped saw blades
- Vertical vise
- Socket wrench 13-3
- Dust bag
- Triangular rule
- Dust cover (Lower blade guard C)
- Push stick
- Ruler assembly (Rip fence)
- Miter gauge
- Fix plates (3 pieces)
- Hex bolts (3 pieces)

УКРАЇНСЬКА

- 1-1. Регулюючий болт
- 1-2. Лапка
- 2-1. Фіксуюча пластина
- 2-2. Болт із шестигранною головкою
- 3-1. U-подібні пази
- 4-1. Нижній захисний кожух А диска
- 4-2. Нижній захисний кожух В диску
- 5-1. Нижній захисний кожух А диску (використовується тільки в режимі різання під косим кутом)
- 6-1. Натискна кнопка
- 6-2. Запобіжний ніж
- 6-3. Верхній захисний кожух диска (застосовується в режимі різання на верстаті)
- 7-1. Верхня поверхня поворотної основи
- 7-2. Контур диску
- 7-3. Напрямна планка
- 8-1. Обмежувач нижнього рівня
- 8-2. Регулюючий болт
- 8-3. Гайка
- 9-1. Гвинт
- 9-2. Напрямна планка
- 10-1. Ручка
- 10-2. Поворотний стіл
- 11-1. Важіль
- 12-1. Ручка
- 13-1. Важіль
- 13-2. Ручка регулювання глибини різання
- 14-1. Вмикач режиму різання під косим кутом
- 14-2. Вмикач режиму різання на верстаті
- 14-3. Кнопка блокування вимкненого положення
- 14-4. Кнопка вимикача
- 14-5. Ручка
- 14-6. Важіль
- 14-7. Кнопка ВМК
- 14-8. Кнопка ВИМК
- 15-1. Ручка регулювання глибини різання
- 16-1. Стопорна шпилька
- 17-1. Торцевий ключ
- 17-2. Тримач ключа
- 18-1. Торцевий ключ
- 18-2. Фіксатор
- 18-3. Болт із шестигранною головкою
- 19-1. Важіль
- 19-2. Підймальний важіль
- 20-1. Диск пили
- 20-2. Захисний кожух В диску

Пояснення до загального виду

- 21-1. Корпус диску
- 21-2. Стрілка
- 21-3. Диск пили
- 21-4. Стрілка
- 22-1. Болт із шестигранною головкою
- 22-2. Зовнішній фланець
- 22-3. Диск пили
- 22-4. Внутрішній фланець
- 22-5. Шпиндель
- 22-6. Кільце
- 23-1. Затискна гайка
- 23-2. Болт із шестигранною головкою
- 23-3. Запобіжний ніж
- 24-1. Запобіжний ніж
- 24-2. Диск пили
- 25-1. Ширина диску
- 25-2. Запобіжний ніж
- 25-3. Болт із шестигранною головкою
- 26-1. Тримач напрямної планки
- 26-2. Напрямна рейка
- 26-3. Затискний гвинт (А)
- 26-4. Затискний гвинт (В)
- 26-5. Напрямна планка
- 27-1. Напрямна планка
- 27-2. Тримач напрямної планки
- 27-3. Лінія вирівнювання
- 27-4. Диск пили
- 27-5. Верхній стіл
- 27-6. Деталь
- 28-1. Напрямна планка
- 28-2. Тримач напрямної планки
- 28-3. Диск пили
- 29-1. Напрямна планка
- 29-2. Тримач напрямної планки
- 29-3. Квадратна гайка
- 29-4. Затискний гвинт (А)
- 29-5. Затискний гвинт (В)
- 30-1. Масштаб
- 31-1. Напрямна планка
- 31-2. Тримач напрямної планки
- 31-3. Гвинт регулювання
- 32-1. Напрямна планка
- 32-2. Диск пили
- 32-3. Верхній захисний кожух диску
- 33-1. Напрямна планка шаблону косого кута
- 33-2. Кутювий шаблон
- 33-3. Пази
- 34-1. Штуцер для пилу
- 34-2. Мішок для пилу
- 35-1. Мішок для пилу
- 35-2. Кріплення
- 37-1. Штуцер для пилу
- 37-2. Коліно
- 38-1. Затискне плече
- 38-2. Затискний штифт
- 38-3. Напрямна планка
- 38-4. Затискна ручка
- 38-5. Гвинт
- 39-1. Гвинт
- 39-2. Напрямна планка
- 40-1. Важіль
- 41-1. Обмежувач нижнього рівня
- 41-2. Регулюючий болт
- 42-1. Гвинт
- 43-1. Стопорна шпилька
- 44-1. Раму пилки заблоковано в самому нижньому положенні
- 45-1. Важіль
- 45-2. Зона важеля, за яку можна братися руками/пальцями
- 45-3. Частина для захоплення гаком
- 46-1. Натискна кнопка
- 46-2. Запобіжний ніж
- 46-3. Верхній захисний кожух диска (застосовується в режимі різання на верстаті)
- 47-1. Стопорна шпилька
- 48-1. Напрямна планка
- 48-2. Напрямна підпора R
- 48-3. Напрямна підпора L
- 48-4. Штифт
- 48-5. Гвинт
- 49-1. Коли напрямну підпору знято
- 49-2. Коли напрямну підпору встановлено
- 50-1. Затиск (додаткова приналежність)
- 51-1. Затиск (додаткова приналежність)
- 52-1. Лещата
- 52-2. Розділювальний блок
- 52-3. Напрямна планка
- 52-4. Алюмінієвий профіль
- 52-5. Розділювальний блок
- 53-1. Паралель поверхні/краю
- 55-1. Штовхач
- 56-1. Додаткова огорожа
- 57-1. Блок штовхача
- 57-2. Додаткова огорожа
- 58-1. ПОПЕРЕЧНЕ РІЗАННЯ
- 58-2. КОСЕ РІЗАННЯ
- 58-3. РІЗАННЯ ПІД КУТОМ
- 58-4. ГРУПОВЕ КОСЕ РІЗАННЯ (КУТИ)
- 59-1. Паз
- 59-2. Кутювий шаблон
- 59-3. Ручка

61-1. Стопорна шпилька
 62-1. Несуча частина інструменту
 64-1. Трикутна лінійка
 64-2. Диск пили
 64-3. Напрямна планка
 65-1. Болт регулювання 0°
 65-2. Болт регулювання кута нахилу
 45°

66-1. Трикутна лінійка
 66-2. Диск пили
 66-3. Верхня поверхня поворотної основи
 67-1. Плече
 67-2. Кутова шкала
 67-3. Показчик
 67-4. Поворотна основа

68-1. Обмежувальна відмітка
 69-1. Ковпачок щіткотримача
 69-2. Викрутка

ТЕХНІЧНІ ХАРАКТЕРИСТИКИ

Модель	LF1000
Діаметр диску	260 мм
Діаметр отвору	
Для Європейських країн	30 мм
Макс. ріжуча спроможність (В x Ш) з діаметром диска 260 мм в режимі різання під косим кутом	

Кут нахилу	Косий кут	
	0°	
0°	20 мм x 210 мм	68 мм x 155 мм
45° (лівий)	50 мм x 150 мм	

Макс. ріжуча спроможність при 90 на верстаті пили (режим різання на верстаті)	70 мм
Швидкість холостого ходу (хв ⁻¹)	2700
Розмір стола (Ш x Д)	500 мм x 555 мм
Розміри (Д x Ш x В1 (примітка 1) / В2 (примітка 2) в режимі різання під косим кутом	660 мм x 650 мм x 1220 мм / 800 мм
в режимі різання на верстаті	660 мм x 650 мм x 1060 мм / 845 мм
Чиста вага	32 кг
Клас безпеки	II / III

Примітка 1 В1: Висота до голівки інструменту

Примітка 2 В2: Висота до столу

- Через те, що ми не приймаємо програми досліджень і розвитку, наведені тут технічні характеристики можуть бути змінені без попередження.
- Примітка. У різних країнах технічні характеристики можуть бути різними.

END213-4

Символи

Далі наведені символи, які застосовуються для позначення обладнання. Перед користуванням переконайтеся, що Ви розумієте їхнє значення.



- Читай інструкції



- ПОДВІЙНА ІЗОЛЯЦІЯ



- Для того, щоб запобігти поранення унаслідок розлітання сміття, слід притиснути голівку пили, після різання, доки диск повністю не зупиниться.



- Тримай руки або пальці на відстані від диску.



- Перед початком роботи заберіть тирсу, маленькі частки і т.д. зі столу для вашої безпеки.



- Слід вимкнути інструмент із мережі перед тим як обертати його навколо своєї осі.



- Слід правильно класти розміщувати руки при перенесенні інструменту.



- Не слід підіймати верхній край напрямної планки під час її встановлення або зняття.



- Тільки для країн ЄС
Не викидайте електричне обладнання разом з побутовим сміттям!

Відповідно до Європейської директиви 2002/96/ЕС про утилізацію електричного та електронного обладнання та її застосуванням згідно з нормами національного законодавства, електрообладнання, яке вийшло з ладу, необхідно збирати окремо та відправляти на переробне підприємство, яке відповідає вимогам охорони довкілля.

ENE061-1

Призначення

Інструмент призначено для точного різання деревини за прямою лінією та під кутом. Інструмент може працювати як в режимі різання під кутом, так і у верстатному режимі, обертаючи стіл навколо своєї осі.

ENF002-1

Джерело живлення

Інструмент можна підключати лише до джерела струму, що має напругу, зазначену в таблиці з заводськими характеристиками, і він може працювати лише від однофазного джерела перемінного струму. Інструмент має подвійну ізоляцію згідно з європейським стандартом і, отже, може підключатися до розеток без клеми заземлення.

ENG037-1

Тільки для країн Європи

Шум та вібрація

Типові рівні звукового тиску за шкалою А дорівнюють рівень звукового тиску: 92 дБ (А)
рівень звукової потужності: 105 дБ (А)

Користуйтеся засобами захисту слуху.

Значення зваженого середньоквадратичного прискорення у типовому виконанні становить 2,5 м/с². Ці значення отримані згідно з EN61029.

ENH015-4

Модель; LF1000

ДЕКЛАРАЦІЯ ВІДПОВІДНОСТІ ЄС

Ми заявляємо під нашу виключну відповідальність, що цей виріб відповідає вимогам наведених нижче стандартів нормативної документації; EN61029, EN55014, EN61000 згідно з Керівними Інструкціями Ради, 89/336/ЕЕС, 98/37/ЕС. Сертифікат відповідності технічної документації до стандарту 98/37/ЕС отримано від зазначеного уповноваженого органу: Intertek SEMKO AB, Torshamnsgatan 43, Box 1103, SE-164 22 Kista, Швеція

Ясухіко Канзакі **CE2005**



000087

Директор

МАКІТА ІНТЕРНЕТШІП ЮРОП ЛТД.

Мічиган-Драйв, Тонгвелл, Мілтон-Кейнес, графство Бекінгемшир МК15 8JD, АНГЛІЯ

Відповідальний виробник:

Макіта Корпорейшн Анджо Аічі Японія

ENB094-2

ДОДАТКОВІ ПРАВИЛА БЕЗПЕКИ ПРИ КОРИСТУВАННІ ІНСТРУМЕНТОМ

ЯК ДЛЯ РЕЖИМУ РІЗАННЯ ПІД КОСИМ КУТОМ ТАК І РЕЖИМУ РІЗАННЯ НА СТОЛІ (ВЕРСТАТНЕ РІЗАННЯ)

1. Слід одягати засоби захисту органів зору та слуху. Слід одягати інші відповідні засоби індивідуального захисту.
2. Рукавиці слід одягати **ТІЛЬКИ** перед початком роботи для заміни пильних дисків або обробки грубого матеріалу, та **НИКОЛИ** під час роботи.
3. Площину навколо інструменту слід утримувати у доброму стані, сипучі матеріали такі як тирса та обрізки не припустимі.
4. Не слід експлуатувати пилку, якщо захисні кожухи та запобіжний ніж не встановлено в робочому положенні. Щораз перед початком роботи слід перевіряти належне закриття захисних кожухів диску. Не слід починати роботу, якщо захисні кожухи диску не рухаються вільно та одразу не закриваються. Ніколи не слід затискувати або затягувати захисні кожухи диску у відкритому положенні. При неправильному функціонуванні захисних кожухів диска, слід негайно налагодити їх.
5. Почистіть та будьте обережними, щоб не пошкодити шпіндель, фланці (особливо поверхню встановлення) або болт із шестигранною голівкою перед або під час встановлення диску. Пошкодження цих частин може призвести до поломки диску. Неправильне встановлення може призвести до вібрації/коливання або прослизання диску. Слід застосовувати тільки фланці зазначені для цього інструменту.
6. Перед початком роботи слід ретельно перевірити полотно на наявність тріщин або пошкодження. Не слід використовувати пошкоджений або деформований пильний диск.
7. Слід користуватися тільки пильними дисками, що рекомендовані виробником та які відповідають EN847-1, та товщина запобіжного ножа не повинна бути більше ширини прорізу від пильного диску та менш полотна диску.
8. Завжди використовуйте приналежності рекомендовані в цій інструкції.

- Використання неналежного приладдя, наприклад абразивних відрізних кіл, може призвести до поранення.
9. Обирайте пильний диск відповідно до матеріалу, що буде різатися
 10. Не слід застосовувати диски пилки, що виготовлені з швидкорізальної сталі
 11. Для того, щоб зменшити вироблений шум, диск повинен бути завжди гострим та чистим.
 12. Слід використовувати правильно загострені диски пилки. Дотримуйтесь максимальної швидкості зазначеної на диску пилки.
 13. Забороняється різати металеві предмети, а саме цвяхи та гвинти. Перед початком роботи огляньте деталь та заберіть усі цвяхи, гвинти та інший сторонній матеріал з деталі.
 14. ПЕРЕД початком різання сліди вибити послаблені капи із деталі.
 15. Не слід використовувати інструмент при наявності займистих рідин та газів.
 16. Для вашої безпеки заберіть тирсу, дрібні предмети і т.д. із робочої зони та верху верстату перед увімкненням інструменту до мережі та початком роботи.
 17. Оператор повинен мати належні знання щодо користування, регулювання та експлуатації інструменту.
 18. Тримай руки та людей, що знаходяться поряд, та сам себе на відстані від шляху диска та не на одній прямій з пильним диском. Не слід торкатися диску що рухається за інерцією. Він усе ще може призвести до серйозного поранення, та ніколи неможна обхоплювати пильний диск.
 19. Слід бути пильним увесь час, особливо під час виконання повторюваних, монотонних дій. Не заспокоюйтесь помилковим почуттям безпеки. Диски нехлюйства не вибачають.
 20. Перед увімкненням, перевірте, щоб фіксатор вала було відпущено.
 21. Перед початком різання деталі, запустіть інструмент та дайте попрацювати йому деякий час. Перевірте чи не коливає або не виляє він, що вказує на неправильне встановлення або балансування полотна.
 22. Перед початком різання заждіть доки диск не досягне максимальної швидкості.
 23. Інструмент не слід застосовувати для прорізання отворів, випилювання жолобків або пазів.
 24. Не слід прибирати обрізки, або інші частини деталі із зони різання під час роботи інструменту та доки голівка пили не буде в положенні спокою.
 25. Негайно зупинить інструмент якщо вам здалося щось ненормальне в роботі пили.
 26. Для того, щоб пересунути деталь або змінити настройки, вимкніть інструмент та заждіть доки диск пилки не зупиниться.
 27. Для зміни диску, здійснення технічного обслуговування або після завершення роботи відключить інструмент від мережі.
 28. Ніколи пил, що утворюється під час різання, містить хімічні речовини, які спричиняють захворювання на рак, пороки розвитку або інші репродуктивні шкоди. Нижче наведені деякі з цих хімічних речовин:
 - свинець, який утворюється під час різання матеріалу з барвником на свинцевій основі, а також,
 - Миш'як та хром, які утворюються під час різання хімічно обробленого пиломатеріалу.
 Ризик впливу таких речовин залежить від частоти виконання вами такого виду роботи. Для того, щоб зменшити вплив таких хімічних речовин: слід працювати в добре провітрюваному приміщенні та із затвердженими засобами індивідуального захисту, такими як пилозахисні маски, які спеціально призначені для фільтрації мікроскопічних часток.
 29. Під час різання слід приєднати пристрій для збору пилу до інструменту.
 30. Перевірте, щоб стіл був надійно закріплений важелем повернувши його.

ЕКСПЛУАТАЦІЯ В РЕЖИМІ РІЗАННЯ ПІД КОСИМ КУТОМ

31. Пилу слід застосовувати тільки для різання деревини, алюмінію або подібних матеріалів.
32. Не слід здійснювати різання "з руки", під час різання деталі поруч з пильним диском. Деталь слід завжди міцно кріпити до поворотного столу та напрямної планки під час роботи.
33. Слід перевірити, щоб поворотний стіл був надійно закріплений та був нерухомим під час роботи.
34. Перевірте, щоб під час різання під косим кутом плече було надійно зафіксовано. Для того, щоб зафіксувати плече, слід затягти важіль за стрілкою годинника.
35. Перед увімкненням перевірте, щоб диск не торкався поворотного столу у нижнім положенні та не торкався деталі.
36. Міцно тримай ручку. Пам'ятайте, що пила мимовільно пересувається вгору та вниз під час пуску та зупинки.

ЕКСПЛУАТАЦІЯ В РЕЖИМІ РІЗАННЯ НА СТОЛІ (ВЕРСТАТНЕ РІЗАННЯ)

37. Не слід здійснювати різання "з руки" "з руки" означає, що замість використання напрямної планки, ви підтримуєте або спрямовуєте деталь своїми руками.
38. Перевірте, щоб поворотний стіл був надійно зафіксований.
39. Перевірте, щоб плече було надійно зафіксовано в робочому положенні. Для того, щоб зафіксувати плече, слід затягти важіль за стрілкою годинника.
40. Щоб уникнути роботи руками та пальцями поруч із пильним диском, користуйтеся штовхачем або штовхаючим блоком.
41. Перед увімкненням перевірте, щоб полотно не торкалося запобіжного ножа або деталі.
42. Зберігай штовхач, коли не користуєшся ним.
43. Особливу увагу слід приділити інструкціям зі зменшення ризику ВІДДАЧІ. ВІДДАЧА це несподівана реакція защемленого, застряглого або зміщеного пильного диску. ВІДДАЧА спричиняє відстрілювання деталі з інструменту до оператора. ВІДДАЧА МОЖЕ ПРИЗВЕСТИ ДО СЕРІОЗНОГО ПОРАНЕННЯ Для того, щоб уникнути ВІДДАЧУ, полотно повинно бути завжди гострим, напрямна планка повинна бути встановлена паралельно полотну, запобіжний ніж та захисний кожух диску повинні бути в робочому положенні та у працездатному стані, не слід відпускати деталь доки вона не буде вштовхнута повністю до полотна, та не слід різати уздовж скручену або згорнуту деталь або при відсутності трикутника для спрямування уздовж планки.
44. Слід уникати різкої, швидкої подачі. Під час різання твердих деталей подавайте їх як можна повільніше. Забороняється гнути або скручувати деталь при подачі. Якщо полотно заклинило або защемилося в деталі, негайно вимкніть інструмент. Виключіть інструмент із сіті. Потім слід усунути защемлення.
45. Перед тим як повертати інструмент завжди перевіряйте, щоб стопорна шпилька надійно блокувала голівку інструменту в нижнім положенні.

ЗБЕРІГАЙТЕ ЦІ ВКАЗІВКИ

ВСТАНОВЛЕННЯ

⚠ОБЕРЕЖНО:

Площину навколо приладу слід утримувати у доброму стані, сипучі матеріали такі як стружка та обрізки не припустимі.

Встановлення на верстат

Для встановлення з повністю розкладеними ніжками як високий стіл.

Якщо неможливо стійко встановити інструмент, поверніть регулюючу гайку внизу інструмента доки не буде отримана належна стійкість. Для того, щоб скоротити ніжку поверніть проти стрілки годинника, якщо дивитись зверху, та за стрілкою годинника, якщо дивитись зверху, для того, щоб подовжити ніжку. Після регулювання перевірте, чи стійко встановлено інструмент.

Fig.1

Встановіть фіксуючі пластини, повернувши їх кутовий кінець назовні, на три ноги інструмента за допомогою болтів із шестигранними голівками. Та закріпіть інструмент трьома болтами до рівної та стійкої поверхні через болтові отвори які є в фіксуючих пластинах.

Fig.2

Для встановлення зі складеними ніжками як низький стіл.

Fig.3

Коли інструмент готовий в положенні зі складеними ніжками, закріпіть його за допомогою U-подібних пазів, як показано на малюнку.

ІНСТРУКЦІЯ З ВИКОРИСТАННЯ

⚠ОБЕРЕЖНО:

- Перед регулюванням та перевіркою справності інструменту, переконайтеся в тому, що він вимкнений та відключений від мережі.

Захисний кожух диску

Fig.4

Fig.5

Fig.6

⚠ОБЕРЕЖНО:

- Перевірте, щоб ручка не опускалася без натискання вліво на важіль біля ручки.
- Перевірте, щоб нижні захисні кожухи диска А відкривалися тільки при натисканні на важіль біля ручки у найвищому положенні ручки.
- Перед початком режиму косоного різання перевірте чи встановлено нижній захисний кожух С.

Коли ви опускаєте ручку при натисканні на важіль вліво, нижній захисний кожух А підіймається автоматично. Захисний кожух диска В підіймається

при торканні деталі. Нижні захисні кожухи підпружинені, тому він повертається у початкове положення після завершення різання та підйому ручки. Верхній захисний кожух диска падає плиском на поверхню столу після проходження під нею деталі. **ЗАБОРОНЯЄТЬСЯ ПОШКОДЖУВАТИ АБО ЗНІМАТИ НИЖНІ ЗАХИСНІ КОЖУХИ ДИСКУ, ПРУЖИНУ ПРИКРІПЛЕНУ ДО НИЖЬОГО ЗАХИСНОГО КОЖУХА ДИСКУ АБО ВЕРХЬОГО ЗАХИСНОГО КОЖУХА ДИСКУ** за винятком примітки нижче.

В інтересах вашої безпеки завжди підтримуйте кожний захисний кожух диска у доброму стані. При неправильному функціонуванні захисних кожухів, слід негайно налагодити їх. Перевіряйте зворотну дію підпружинених нижніх захисних кожухів диска. **ЗАБОРОНЯЄТЬСЯ КОРИСТОВАТИСЯ ІНСТРУМЕНТОМ ПРИ НАЯВНОСТІ ПОШКОДЖЕННЯ, НЕІСПРАВНОСТІ НИЖЬОГО ЗАХИСНОГО КОЖУХА ДИСКУ, ПРУЖИНИ АБО ВЕРХЬОГО ЗАХИСНОГО КОЖУХА ДИСКУ, АБО ЯКЩО ВОНИ ЗНЯТІ** за винятком примітки нижче. **НЕВИКОНАННЯ ЦЬОЇ УМОВИ Є ДУЖЕ НЕБЕЗПЕЧНИМ ТА МОЖЕ ПРИЗВЕСТИ ДО НЕЩАСНОГО ВИПАДКУ.**

ПРИМІТКА:

- Захисні кожухи можна знімати тільки у наведених нижче випадках: При експлуатації в режимі різання на столі, нижній захисний кожух С знімається. При експлуатації в режимі різання під косим кутом, верхній захисний кожух знімається.

Якщо один із прозорих захисних кожухів диска забруднився або весь покритий тирсою так, що диск погано видно, слід виключити пилу із мережі та ретельно почистити кожух мокрою ганчіркою. Забороняється застосовувати розчинники або будь-які миючі засоби на нафтовій основі для чистки пластмасового захисного кожуха.

Якщо нижній захисний кожух А особливо забруднений та порушена видимість через нього, дотримуйтесь наведених нижче дій: Підійміть ручку до упору. Зніміть диск пилки (Див. розділ "Встановлення або зняття диску пилки") Підійміть нижній захисний кожух А диска, натиснувши важіль вліво. У цьому положенні нижній захисний кожух А можна почистити повністю та ретельніше. Після завершення чистки, виповніть всі наведені вище дії у зворотному порядку та закріпіть болт.

При виконанні аналогічної процедури для верхнього захисного кожуха диска, натисніть на кнопку попереду до верху поверхні та зніміть верхній захисний кожух диска. Після завершення чистки слід завжди міцно встановлювати його знову.

У разі знебарвлення будь-якого із цих захисних кожухів у продовж їх експлуатації або унаслідок впливу ультрафіолетового випромінювання, зверніться до центру обслуговування Makita за новим кожухом. **ЗАБОРОНЯЄТЬСЯ ПОШКОДЖУВАТИ АБО**

ЗНІМАТИ ЗАХИСНІ КОЖУХИ.

Утримання максимальної ріжучої спроможності

Fig.7

Цей інструмент відрегульовано на заводі для забезпечення максимальної ріжучої спроможності для диску 260 мм.

Коли ви встановлюєте новий диск, завжди перевіряйте нижнє граничне положення диску, та якщо необхідно відрегулюйте його.

⚠ОБЕРЕЖНО:

- При виконанні цього регулювання відключіть інструмент від мережі.

Спочатку вимкніть інструмент з мережі. Повністю опустіть ручку. Повертайте регулюючий болт за допомогою торцевого ключа доки зовнішній край диску не опуститься трохи нижче верхньої поверхні поворотного столу в тому місці, де лицьова поверхня напрямної планки зустрічається з верхньою поверхнею поворотного столу.

Коли інструмент вимкнено із мережі, обертайте диск рукою, перевіряючи, чи не торкається він нижньої основи, при цьому ручку слід постійно утримувати в нижньому положенні. Якщо необхідно, повторіть регулювання ще раз.

⚠ОБЕРЕЖНО:

- Після встановлення нового диску, обов'язково перевірте диск на можливість його торкання будь-якої частини нижньої основи, при цьому ручка повинна бути в самому низькому положенні. Перевірку слід здійснювати, коли інструмент вимкнено із мережі.

Можна користуватися цим інструментом з або без нижньої межі, пересунувши обмежувач нижнього рівня як показано на малюнку.

Для того, щоб користуватися інструментом без нижньої межі, поверніть кінець обмежувача проти стрілки годинника. В цьому положенні виконується різання широкої та тонкої деталі.

Для того, щоб користуватися інструментом з нижньою межею, рухайте обмежувач за стрілкою годинника. В цьому положенні виконується різання товстих деталей.

Fig.8

Порядок регулювання косоного кута

Fig.9

Fig.10

Відпустіть затискний гвинт на напрямній планці, повертаючи проти стрілки годинника. Поверніть поворотний стіл рукою. Коли ви встановите положення ручки, у якому покажчик співпаде з бажаним кутом на кутовій шкалі, міцно затягніть затискний гвинт за стрілкою годинника.

⚠ОБЕРЕЖНО:

- Обов'язково підійміть ручку до упору при обертанні поворотного столу.
- Після зміни косого куту, обов'язково закріпіть поворотний стіл, міцно затягнувши затискний гвинт.

Регулювання кута нахилу

В режимі різання під косим кутом

Fig.11

Fig.12

Для того, щоб відрегулювати кут нахилу, відпустіть важіль позаду інструмента проти стрілки годинника. Натисніть ручку вліво для того, щоб нахилити диск пилки доки покажчик не співпаде з бажаним кутом на шкалі кута нахилу диска. Потім міцно затягніть важіль за стрілкою годинника, щоб закріпити плече.

⚠ОБЕРЕЖНО:

- Перевірте, щоб ручка була піднята до упору при нахиленні диска пилки.
- Після зміни кута нахилу, обов'язково закріпіть плече, затягнувши важіль за стрілкою годинника.

В режимі різання під косим кутом

Fig.13

Для того, щоб відрегулювати кут нахилу, відпустіть важіль під столом попереду інструмента проти стрілки годинника.

Пересуньте вліво ручку регулювання глибини для того, щоб нахилити диск пилки, доки покажчик не співпаде з бажаним кутом на шкалі кута нахилу диска. Потім міцно затягніть важіль за стрілкою годинника, щоб закріпити плече.

Дія вимикача.

Fig.14

Перемикач у режим різання під косим кутом

⚠ОБЕРЕЖНО:

- Перед вмиканням інструменту у мережу обов'язково перевірте, чи важіль вимикача нормально спрацює і після відпускання повертається в положення "вимкнено".
- Якщо ви не користуєтесь інструментом, зніміть кнопку блокування вимкненого положення та зберігайте її в надійному місці. Це дасть змогу уникнути несанкціонованого функціонування.
- Ніколи не натискайте із силою на курок вмикача, якщо кнопка блокування вимкненого положення не натиснута. Це може зламати вмикач.

Для того, щоб запобігти випадковому натисканню важеля вмикача, передбачена кнопка блокування вимкненого положення. Для того, щоб запустити інструмент, відведіть важіль блокування вліво, натисніть на кнопку блокування вимкненого положення та натисніть на важіль вмикача. Для зупинення роботи важіль слід відпустити.

Перемикач у режим різання на столі

⚠ОБЕРЕЖНО:

- Перед початком роботи слід перевірити, що верстат вмикається та вимикається.

Для того, щоб запустити інструмент, слід просто натиснути на кнопку ВМК (I). Для того, щоб зупинити інструмент, слід просто натиснути кнопку ВИМК (O).

Порядок регулювання глибини різання

Fig.15

Глибина різання регулюється повертанням круглої ручки регулювання глибини різання. Поверніть ручку регулювання глибини різання за стрілкою годинника для того, щоб підняти диск або проти стрілки годинника для того, щоб опустити його.

⚠УВАГА:

- Під час різання тонкого матеріалу застосовуйте настройку малої глибини для того, щоб отримати різання із меншим забрудненням.

⚠ОБЕРЕЖНО:

- Стопорну шпильку неможливо повертати разом з голівкою інструменту в самоу нижчому положенні. У такому разі, поверніть злегка круглу ручку проти стрілки годинника та відпустіть стопорну шпильку.

Fig.16

КОМПЛЕКТУВАННЯ

⚠ОБЕРЕЖНО:

- Перед тим, як зайнятися комплектуванням інструменту, переконайтеся в тому, що він вимкнений та відключений від мережі.

Зберігання торцевого ключа

Fig.17

Торцювальний ключ зберігається як показано на малюнку. При користуванні торцевим ключем, вийміть його з тримача. Після користування торцевим ключем, поверніть його назад в тримач.

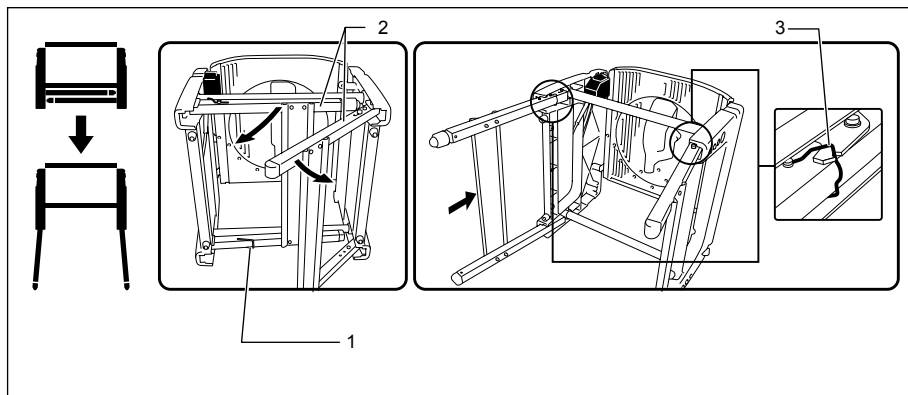
Встановлення двох положень висоти столу

Висота столу встановлюється на два положення, високий та низький стіл.

⚠УВАГА:

- Перед падінням інструменту навзнаки, обов'язково встановіть інструмент в режим різання під косим кутом, та заблокуйте голівку інструменту в найнижчому положенні.

1. Встановлення високого столу



1. Скоба
 2. Ніжка
 3. Стопорний гак
- 006043

Для встановлення інструменту з високим столом, дотримуйтесь наведених нижче етапів.

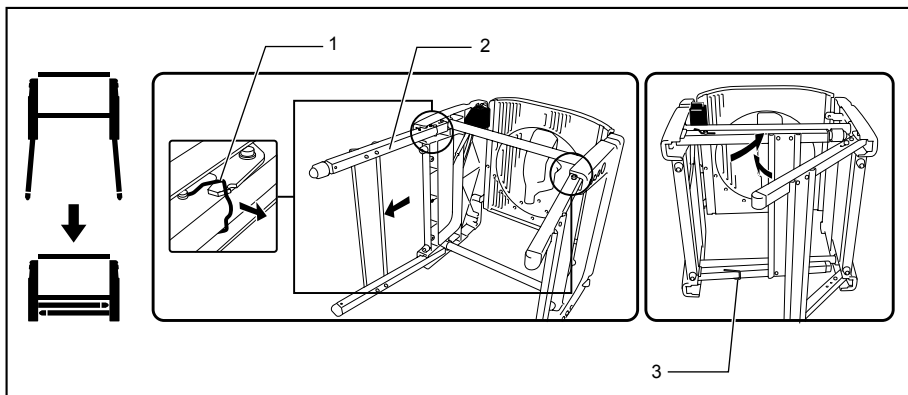
- (1) Обережно опустіть інструмент обов язково навзнаки, тримаючи двома руками.
- (2) Поверніть гак за стрілкою на малюнку, для того, щоб розкласти ніжки. Розкладіть ніжку стола з одного боку та натисніть на нижню частину бруска ніжки вперед до упору доки вона не зафіксується сама. Теж саме зробіть з ніжкою протилежного боку.

Перевірте, щоб ніжки з обох боків повністю зафіксувались.

⚠УВАГА:

- Перевірте, щоб стопорні гаки як раз увійшли в паз кронштейну.
- (3) Поверніть інструмент у вертикальне положення.

2. Встановлення низького столу



1. Стопорний гак
 2. Ніжка
 3. Скоба
- 006044

Ніжка може складатися як показано на малюнку. Для того, щоб скласти інструмент, дотримуйтесь наведених нижче дій.

- (1) Обережно опустіть інструмент обов язково навзнаки, тримаючи двома руками.
- (2) Спочатку потягніть до себе фіксатор на стику лівої ніжки, щоб розкрити його.

- (3) Повторіть такі ж дії з протилежною ніжкою
- (4) За допомогою гака складіть ці ніжки
- (5) Поверніть інструмент у вертикальне положення.

Встановлення та зняття полотна пили

⚠ОБЕРЕЖНО:

- Завжди перевіряйте, щоб верстат був вимкнений та відключений від сіті перед встановленням або зняттям полотна.
- Для встановлення або зняття полотна слід використовувати тільки торцевий ключ виробництва компанії Makita, що додається. Якщо цю вимогу не виконати, то болт із шестигранною голівкою може бути затягнутий або занадто сильно, або недостатньо. Це може призвести до поранень.

Підійміть ручку до упору.

Натисніть на фіксатор валу для блокування шпинделя, за допомогою торцевого ключа відпустіть болт із шестигранною голівкою за стрілкою годинника.

Fig.18

Підійміть захисний кожух А за допомогою підйомного важеля поряд з ручкою вліво. Коли захисний кожух А диску піднятий, слід вийняти болт із шестигранною голівкою, зовнішній фланець та диск.

Fig.19

Для того, щоб встановити диск, обережно вставте його на шпindel, перевіривши, чи співпадає напрямком стрілки на поверхні диску з напрямком стрілки на корпусі диску. Вставте зовнішній фланець та болт з шестигранною голівкою, потім за допомогою торцевого ключа надійно затягніть болт (лівий) проти стрілки годинника, натискаючи на фіксатор валу.

Fig.20

Fig.21

ПРИМІТКА:

- Якщо ви встановлюєте диск пилки, обов'язково вставте його спочатку між захисним кожухом В, та потім підійміть його, таким чином, щоб диск остаточно розмістився в захисному кожусі В.

Для всіх країн крім Європейських

Fig.22

⚠ОБЕРЕЖНО:

- Сріблясте кільце зовнішнім діаметром 25,4 мм встановлюється на шпindel на заводі. Чорне кільце зовнішнім діаметром 25 мм входить до стандартного комплекту. Перед встановленням полотна на шпindel слід завжди перевіряти, щоб на шпindel встановлювалось кільце під отвір для шпинделя на полотні відповідного розміру.

Для Європейських країн

⚠ОБЕРЕЖНО:

- Кільце зовнішнім діаметром 30 мм встановлюється на заводі між внутрішнім та зовнішнім фланцями.

Встановте знову нижній захисний кожух А в початкове положення. Опустіть ручки для того, щоб перевірити, що нижні захисні кожухи пересуваються належним чином. Перевіряйте, щоб фіксатор валу відпустив шпindel перед початком різання.

Регулювання запобіжного ножа

Fig.23

There must be a clearance of about 5 - 6 mm between the riving knife and the blade teeth when pushing the riving knife toward the blade fully. Відрегулюйте відповідно запобіжний ніж, спочатку відпустивши затиску гайку рукою проти стрілки годинника, та потім, відпустивши болт із шестигранною голівкою проти стрілки годинника за допомогою торцевого ключа, та заміривши відстань. Після регулювання, надійно закріпіть болт із шестигранною голівкою та потім затиску гайку за стрілкою годинника. Перед різанням слід завжди перевіряти, щоб запобіжний ніж був закріплений та верхній захисний кожух диска функціонував гладко.

Fig.24

The riving knife has been installed before shipment from the factory so that the blade and riving knife are in a straight line after your simple set-up. Настройку дивись у розділі "Повторне позиціонування запобіжного ножа".

Fig.25

⚠ОБЕРЕЖНО:

- Якщо диск та запобіжний ніж не вирівнювані належним чином, це може призвести до небезпечного стискання під час експлуатації. Слід обов'язково перевіряти належне розташування запобіжного ножа між обома зовнішніми кінцями зубів диска, якщо дивитися зверху. Якщо запобіжний ніж інструменту не вирівнено належним чином це може призвести до серйозного нещасного випадку під час експлуатації інструменту. Якщо їх чомусь не вирівнено, обов'язково здайте в ремонт в сервісний центр Makita.
- При регулюванні зозору між запобіжним ножом та зубами диска, слід відпустити болт з шестигранною голівкою тільки після відпускання затиску гайки.

Встановлення та регулювання напрямної планки.

Fig.26

1. Встановіть напрямну планку на стіл таким чином, щоб тримач напрямної планки стикався з напрямною рейкою. Надійно затягніть

затискний гвинт (В) напрямної планки за стрілкою годинника.

2. Відпустіть затискний гвинт (А).
3. Встановіть напрямну планку та закріпіть її таким чином, щоб дальній від вас кінець напрямної планки зрівнявся з точкою, в якій передній край диска трохи визирає із-за верхньої поверхні деталі. Це регулювання здійснюється для того, щоб зменшити ризик віддачі до оператора, коли відрізна частина деталі стикається між диском пилки та напрямною планкою та нарешті відскакує до оператора. Лінія (А) змінюється відповідно до товщини деталі або рівня столу. Відрегулюйте положення напрямної планки відповідно до товщини деталі.

Після регулювання напрямної планки, надійно затягніть затискний гвинт (А).

Fig.27

ПРИМІТКА:

- Напрямна планка має чотири шаблони позиціонування, які показані на малюнку. В напрямній планці є два прорізи з обох боків, біля одного з прорізів є трохи піднята окантовка з того ж боку та другий проріз не має її. Поверхня напрямної планки з окантовкою зверненою до деталі застосовується тільки під час візання в частину тонкої деталі.

Fig.28

ПРИМІТКА:

- Для того, щоб змінити шаблон напрямної планки, витягніть напрямну планку з тримача напрямної планки, відпустивши затискний гвинт (А) та змінивши звернення напрямної планки до її тримача таким чином, щоб напрямна планка була звернена до тримача напрямної планки згідно вашої роботи, як показано на малюнку. Вставте квадратну гайку на тримач напрямної планки позаду будь-якого прорізу напрямної планки, щоб вона щільно увійшла в нього, як показано на малюнку.

Для того, щоб змінити шаблон А або В на шаблон С або D або навпаки, зніміть квадратну гайку, шайбу та затискний гвинт (А) із тримача напрямної планки, потім розмістить затискний гвинт (А), шайбу та квадратну гайку у протилежному положенні тримача напрямної планки у порівнянні з початковим положенням. Міцно затягніть затискний гвинт (А) після встановлення квадратної гайки тримача напрямної планки в проріз напрямної планки.

Вставте квадратну гайку на тримач напрямної планки позаду будь-якого прорізу напрямної планки, щоб вона щільно увійшла в нього, як показано на малюнку.

Fig.29

Напрямна планка регулюється на заводі таким чином, щоб вона була паралельна поверхні диску. перевірте чи це так. Для того, щоб перевірити, чи паралельна напрямна планка диску, відрегулюйте висоту диску за допомогою ручки регулювання глибини різання таким чином, щоб диск знаходився у найвищому положенні від столу. Відзначте один із зубів диска олівцем. Слід виміряти відстань (А) та (В) між напрямною планкою та диском. Обидва заміри слід здійснювати за допомогою зубця, відзначеного олівцем. Ці заміри повинні співпасти. Якщо напрямна планка не паралельна диску, додержуйтесь наведених нижче рекомендацій:

Fig.30

- (1) Поверніть гвинт регулювання проти стрілки годинника.

Fig.31

Fig.32

- (2) Злегка пересувайте передній край напрямної планки вправо або вліво доки він не буде паралельним диску.
- (3) Надійно закріпіть гвинт на напрямній планці.

⚠ОБЕРЕЖНО:

- Перевірте, щоб напрямна планка була паралельною полотну, інакше може трапитися небезпечна віддача.
- Після регулювання напрямна планка не повинна торкатися верхнього захисного кожуха диску або диску пилки
- Не слід пересувати або переносити інструмент напрямною планкою.
- Підіймання встановленої напрямної планки або прикладання зусилля до неї вліво та вправо, тримаючись руками за верхній край може призвести до її пошкодження та погіршення її функціонування.

Встановлення та регулювання датчика косоного кута

Fig.33

Для того, щоб встановити датчик косоного кута, вставте його вал в один з пазів попереду стола. Лінійка датчика косоного кута також використовується як напрямна планка, та може встановлюватися як датчик косоного кута за вашим бажанням.

Мішок для пилу

Fig.34

Якщо користуватись мішком для пилу, то операції з різання стають чистими, а збирання пилу - легким. Для того, щоб закріпити мішок для пилу, його слід надіти на штуцер для пилу.

Коли мішок для пилу заповнюється приблизно на половину, його слід зняти з інструмента та витягти

кріплення. Звільніть мішок для пилу від його вмісту, злегка його постукуючи, щоб видалити частки, які пристали до внутрішньої поверхні, і що може перешкоджати збору пилу.

Fig.35

Якщо ви підключите до своєї пилки пиросос Makita, операції чистки стануть більш ефективними.

Fig.36

Коліно

Fig.37

⚠ОБЕРЕЖНО:

- Зверніть отвір в коліні для випуску пилу у напрямку, в якому вихлопний пил та стружка не потрапляє на інструмент та людей, що знаходяться в робочій зоні.

Закріпіть коліно, якщо ви змінюєте напрямок випуску пилу.

Кріплення деталі

⚠УВАГА:

- Дуже важливо завжди кріпити деталь належним чином та затягувати лещатами. Невиконання цієї умови може призвести до пошкодження інструменту та/або розриву деталі. **ТАКОЖ ЦЕ МОЖЕ ПРИЗВЕСТИ ДО НЕЩАСНОГО ВИПАДКУ.** Також, після різання **НЕ СЛІД** підіймати диск, доки він повністю не зупиниться.

Вертикальний затиск

Fig.38

Вертикальний затиск можна встановлювати в двох положеннях ліворуч або праворуч напрямної планки. Вставте затискний штифт в отвір на напрямній планці та затягніть затискний гвинт, щоб закріпити затискний штифт.

Розмістіть затискне плече відповідно до товщини та форми деталі та закріпіть затискне плече, затягнувши затискний гвинт. Якщо гвинт кріплення затискного плеча торкається напрямної планки, встановіть затискний гвинт з протилежного боку затискного плеча. Перевірте, чи не торкається яка-небудь частина інструменту затиску при постійному опусканні ручки. Якщо якась частина торкається затиску, то повторіть його встановлення.

Притисніть деталь впритул до напрямної планки та поворотного столу. Розмістіть деталь в бажаному положенні різання та міцно закріпіть її, затягнувши затискну ручку.

⚠ОБЕРЕЖНО:

- Деталь слід міцно кріпити до поворотного столу та напрямної планки.

Налаштування інструменту в режимі різання на верстаті

⚠ОБЕРЕЖНО:

- Перед початком роботи в режимі різання на верстаті, перевірте чи закріплено поворотний стіл під косим кутом 0° за допомогою затискного гвинта на напрямній планці.
- Перед початком експлуатації інструменту в режимі різання на верстаті, перевірте, щоб голівку інструменту було закріплено важелем.
- Перед початком експлуатації інструменту в режимі різання на верстаті, перевірте, щоб запобіжник ніж було належним чином закріплено в робочому положенні.
- Перед початком роботи в режимі різання на верстаті, зніміть нижній захисний кожух С диску.
- В режимі різання на верстаті, відпустіть нижній обмежувач.

перед відвантаженням з заводу інструмент відрегульовано в режимі косоного різання. перед початком експлуатації в режимі різання на верстаті, слід змінити налаштування та дотримуватися порядку наведеному нижче.

1. Кріплення поворотного столу

Fig.39

Для того, щоб закріпити поворотний стіл, міцно затягніть затискний гвинт на напрямній планці під косим кутом 0°.

2. Кріплення голівки інструменту

Fig.40

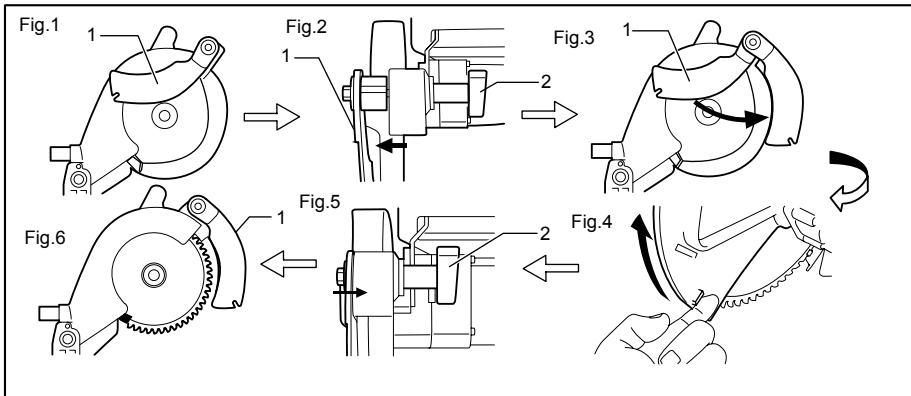
Закріпіть голівку інструменту, затягнувши важіль за стрілкою, що показана на малюнку.

3. Відпускання нижнього обмежувача

Fig.41

Перевірте, щоб кінець нижнього обмежувача був в положенні А, як показано на малюнку. Поверніть кінець нижнього обмежувача проти стрілки годинника у положення А, якщо він знаходиться в положенні В.

4. Повторне встановлення запобіжного ножа



1. Запобіжний ніж
2. Затискна гайка

006068

Слід змінити положення (Малюнок 1)

- (1) Відпустіть затискну гайку (Малюнок 2)
- (2) Відтягніть та поверніть запобіжний ніж у положенні під кутом 90° за стрілкою (Малюнок 3) Та злегка натисніть на нього, щоб він застиг в цьому положенні.
- (3) Підійміть нижній захисний кожух А диску за допомогою лапки рукою, одночасно натискаючи вліво на важіль біля ручки, та відпустіть важіль біля ручки (Малюнок 4).
- (4) Штовхайте запобіжний ніж за стрілкою (Малюнок 5), щоб він порівнявся з диском пилки.
- (5) Після штовхання запобіжного ножа за стрілкою, показаною на малюнку, відпустіть нижній захисний кожух А диску.
- (6) Після вирівнювання запобіжного ножа, надійно затягніть затискну гайку (Див. Малюнок 6).

5. Зняття нижнього захисного кожуха С диску

Fig.42

Зніміть нижній захисний кожух С диску зі столу, відпустивши затискний гвинт.

6. Блокування голівки інструменту в найнижчому положенні

Fig.43

Fig.44

Після встановлення запобіжного ножа в положення для режиму різання на верстаті, натисніть на стопор за стрілкою А та поверніть його під кутом 90° за стрілкою В при натиснутому стопорі.

⚠ОБЕРЕЖНО:

- Якщо голівку інструмента неможливо заблокувати в найнижчому положенні, оберніть

декілька разів ручку регулювання глибини за стрілкою годинника.

- Перед тим як повертати інструмент завжди перевіряйте, щоб стопорна шпилька надійно блокувала голівку інструменту в найнижчому положенні.

7. Обертання інструменту

⚠УВАГА:

- Перед обертанням інструменту перевірте, щоб його було вимкнено та відключено від мережі.
- При натисканні важеля, слід класти руку/палець тільки в зоні важіль-стіл.

Fig.45

Однією рукою тримайте середину краю столу, натисніть важіль вниз іншою рукою, та міцно утримуючи край столу, обережно обертайте його. Утримуйте його доки його не буде зафіксовано.

8. Встановлення верхнього захисного кожуха диску

Fig.46

Натисніть кнопку верхнього захисного кожуху на боковій поверхні, при натиснутій кнопці розмістіть його в нарізці запобіжного ножа, та відпустіть кнопку.

Після відпускання кнопки натискання, перевірте чи закріплен верхній захисний кожух диску, намагаючись зняти його.

⚠ОБЕРЕЖНО:

- Після встановлення верхнього захисного кожуху диску перевірте, чи плавно він функціонує.

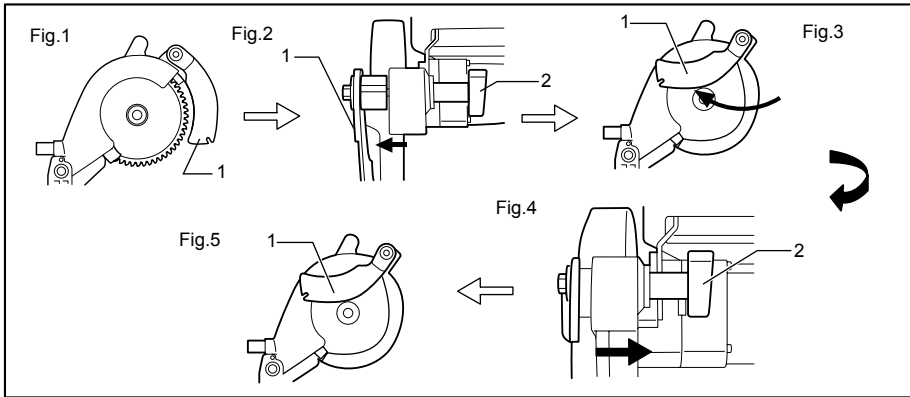
Настройка інструменту в режимі різання під косим кутом

⚠УВАГА:

- обов'язково встановіть нижній захисний кожух С диску перед початком експлуатації інструменту в режимі косоного різання.

Для того щоб перейти з режиму різання на верстаті в режим косоного різання, виконуйте етапи наведені в розділі "Настройка інструменту в режим різання на верстаті" в зворотному порядку.

1. **Зняття верхнього захисного кожуха диску**
Натисніть кнопку верхнього захисного кожуха на його боковій поверхні, потім зніміть угору верхній захисний кожух при натиснутій кнопці
2. **Встановлення нижнього захисного кожуха С диску**



1. Запобіжний ніж
2. Затискна гайка

006075

Слід змінити положення запобіжного ножа (Малюнок 1)

- (1) Відпустіть затискну гайку та утримуйте рукою нижній кожух А диску лапкою (Малюнок 2).
- (2) При утриманні нижнього захисного кожуха А, натисніть на запобіжний ніж, щоб він почав обертатися та обертайте його за стрілкою у необхідне положення (Малюнок 3).
- (3) Утримуючи запобіжний ніж в цьому положенні, поверніть нижній захисний кожух А у початкове положення та міцно затягніть затискну гайку (Малюнок 4, 5)

6. **Встановлення або зняття напрямних підпор R та L**

Fig.48

⚠ОБЕРЕЖНО:

- Якщо ви ріжете деталь товщиною понад 20 мм, встановіть напрямні підпори R та L та закріпіть

Розмістіть нижній захисний кожух С на столі, щоб він увійшов в прорізь на столі та міцно затягніть затискний гвинт.

3. **Обертання інструменту**
Дивись підрозділ з такою ж назвою в розділі "Встановлення режиму різання на верстаті для інструменту "

4. **Відпускання голівки інструменту з найнижчого положення**

Fig.47

Утримуючи ручку, переміщуйте стопорну шпильку за стрілкою А, поверніть її до куту 90° за стрілкою В, при натиснутій стопорній шпильці та повільно підніміть ручку.

5. **Повторне позиціонування запобіжного ножа**

гвинтом.

Для різання широких та тонких деталей краще зняти напрямні підпори R та L

Якщо ви ріжете деталь товщиною до 20 мм та шириною більш 180 мм, зніміть напрямні підпори R та L, витягнувши гвинт, як показано на малюнку.

Якщо ви ріжете деталь товщиною понад 20 мм, встановіть напрямні підпори R та L та закріпіть гвинтом.

В таблиці нижче наведено співвідношення розміру деталі з використанням/невикористанням напрямних підпор R та L.

Fig.49

	розмір деталі (В x Ш)	використання/невикористання напрямної підпори
1	68 мм x 155 мм	без напрямної підпори
2	20 мм x 210 мм	без напрямної підпори

006577

ЗАСТОСУВАННЯ

⚠ОБЕРЕЖНО:

- Перед застосуванням Лобов'язково відпустіть ручку з опущеного положення, натиснувши на стопорну шпильку та повернувши її до куту 90°.
- Перевірте, щоб диск не торкався деталі і т.д. до його увімкнення.

Кутове різання

⚠УВАГА:

- Перед початком режиму косоного різання перевірте чи встановлено нижній захисний кожух С.

⚠ОБЕРЕЖНО:

- Не додавайте надлишкового тиску на ручку під час різання. Занадто велике зусилля може призвести до перенавантаження двигуна та/або зменшеною продуктивності різання. Слід тиснути на ручку тільки з такою силою, яка необхідна для плавного різання та без значного зниження швидкості диска.
- Для різання слід спокійно тиснути на ручку вниз. Якщо ручку натискати із зусиллям або при наявності бокового зусилля, диск почне вібрувати та залишить мітку (лінію різання) на деталі в наслідок чого точність різання буде погіршена.

1. Вирізки

Fig.50

Закріпіть деталь до напрямної планки та поворотного столу. Увімкніть інструмент та заждіть, доки полотно набере повної швидкості, не торкаючись диском будь-якого предмету. Потім плавно опустіть ручку в найнижче положення для різання деталі. Після завершення різання, вимкніть інструмент та ЗАЯДІТЬ ДОКИ ДИСК ПОВНІСТЮ НЕ ЗУПИНИТЬСЯ перед тим як підняти диск до упору.

2. Різання під косим кутом

Дивись розділ вище "Регулювання косоного кута"

3. Кут нахилу

Fig.51

Відпустіть важіль та нахилить диск пилки, щоб встановити кут нахилу (Дивись розділ вище "Регулювання кута нахилу") Слід обов'язково повторно міцно затягти важіль, щоб надійно зафіксувати обраний кут нахилу. Закріпіть деталь до напрямної планки та поворотного столу. Увімкніть інструмент та заждіть, доки диск набере повної швидкості, не торкаючись диском будь-якого предмету. Потім спокійно опустіть ручку до упору вниз, додаючи тиск паралельно з диском. Після завершення різання, вимкніть інструмент та ЗАЯДІТЬ ДОКИ ДИСК ПОВНІСТЮ НЕ ЗУПИНИТЬСЯ перед тим як

підняти диск до упору.

⚠ОБЕРЕЖНО:

- Завжди перевіряй, щоб під час різання під кутом нахилу диск зрухався вниз у напрямку нахилу. Не торкайтесь руками доріжки диска пилки.
- Під час різання з кутом нахилу, може трапитися таке становище, коли відрізана частина зупиниться збоку диску. Якщо одразу підняти диск, коли він ще обертається, диск може захопити із собою цю частку, що призведе до розкидання шматочків тому є дуже небезпечним. Диск слід підіймати ТІЛЬКИ після повної зупинки диску.
- При натисканні ручки вниз, додавайте тиск паралельно диску. Якщо тиск не є паралельним диску під час різання, кут диску може зсунутися та точність різання буде погіршена.

4. комбіноване різання

Комбіноване різання це процес, при якому встановлено кут нахилу і одночасно косий кут вирізається на деталі. Комбіноване різання може відбуватися під кутом, вказаним у таблиці нижче.

Кут нахилу	Косий кут
45°	Лівий та правий 0° - 45°

006366

При комбінованому різанні звертайтеся до розділів "Різання невеликих деталей", Різання під косим кутом та "Різання з кутом нахилу"

5. Різання алюмінієвого профілю

Fig.52

Для кріплення алюмінієвого профілю, користуйтеся брусками або обрізками, як показано на малюнку, щоб запобігти деформації алюмінію. Для того, щоб запобігти налипанню алюмінієвої стружки до диску, використовуйте мастило під час різання алюмінієвого профілю.

⚠ОБЕРЕЖНО:

- Не слід спробувати різати товсті та круглі алюмінієві профілі. Товсті алюмінієві профілі можуть вискочити під час роботи, та круглі алюмінієві профілі не можливо міцно закріпити в інструменті
- Не слід різати алюміній в режимі різання на столі (верстатний режим)

Різання на столі (верстатний режим)

⚠ОБЕРЕЖНО:

- Слід завжди використовувати "допоміжні засоби", такі як штовхачі або блоки штовхача, коли існує небезпека наближення рук або пальців до полотна.
- Завжди слід міцно утримувати деталь зі столом та напрямною планкою. Забороняється гнути

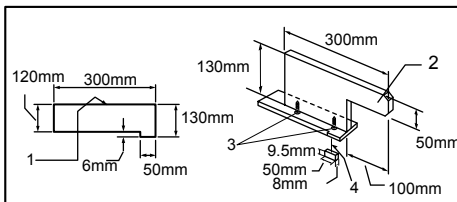
або скручувати деталь при подачі. Якщо деталь погнута або скручена, може виникнути небезпечне вискакування назад.

- ЗАБОРОНЕНО витягати деталь, коли обертається полотно. Якщо деталь треба зняти до закінчення різання, слід спочатку вимкнути верстат, міцно тримаючи деталь. Перед тим, як знімати деталь, дождіться доки полотно повністю зупиниться. Якщо цього не зробити, може трапитись небезпечна віддача.
- ЗАБОРОНЕНО знімати відрізаний матеріал, коли полотно обертається.
- Забороняється класти руки та пальці на шляху диску пилки.
- Слід завжди міцно фіксувати напрямну планку, інакше може трапитись небезпечна віддача.
- Завжди використовуй "помічників" таких як палки та блоки кнопок під час різання маленьких та вузьких деталей або якщо голівка схована від очей при різанні.

Допоміжні засоби

Штовхачі, блоки штовхача або допоміжна огорожа - це типи допоміжних засобів. Їх слід використовувати, щоб виконувати безпечні та впевнені прорізи без торкання полотна будь-якою частиною тіла оператора.

Блок штовхача



1. Паралель поверхні/краю
2. Ручка
3. Шуруп
4. Спрямувати разом

006080

Слід використовувати шматок фанери 19 мм.

Ручка повинна бути у центрі куса фанери Закріпіть клеєм або шурупами як показано. Маленький кусочок деревини 9,5 мм x 8 мм x 50 мм слід завжди приклеювати до фанери, щоб запобігти затупленню диска, якщо оператор потрапить помилково у натискний блок. (Ніколи не використовуй лак для натискного блоку.)

Додаткова огорожа

Fig.53

Зробіть додаткову огорожу зі шматків фанери 9,5 мм та 19 мм.

Розрізання

⚠ОБЕРЕЖНО:

- Під час розрізання слід зняти кутовий шаблон зі стола.
 - У разі різання довгих або великих деталей, для них слід забезпечити належну опору за межами столу. НЕМОЖНА дозволяти, щоб довга дошка рухалась або зміщувалась на столі. Це може призвести до того, що полотно зігнеться та збільшиться ризик віддачі та поранення. Опора повинна мати однакову із столом висоту.
1. Відрегулюйте глибину різання трохи вище товщини деталі. Для того, щоб зробити це регулювання зверніться до розділу "Регулювання глибини різання"
 2. Встановіть бажану ширину напрямної планки та закріпіть в робочому положенні, затягнувши затискний гвинт (A) Перед початком поздовжнього різання, перевірте чи закріплені два гвинти тримача напрямної планки. Якщо вони недостатньо зафіксовані, повторіть затягування.
 3. Увімкніть верстат та обережно подайте деталь на полотно здовж напрямної планки.
 - (1) Якщо ширина розрізу 150 мм та більш, обережно подавайте деталь рукою. За допомогою іншої руки утримуйте деталь в положенні проти напрямної планки.

Fig.54

- (2) Коли ширина розрізання дорівнює 65 мм - 150 мм, для подачі деталі слід скористатись штовхачем.

Fig.55

- (3) Якщо ширина розрізу менш 65 мм, натиска жердина використовуватись не може, тому, що вона може вдаритися о захисний кожух диску. Використовуйте додаткову огорожу та натискний блок. Закріпіть додаткову огорожу на напрямній планці двома затисками "C".

Fig.56

Подавайте деталь рукою доки відстань від кінця до переднього краю верхнього столу становить приблизно 25 мм. Постійно подавайте за допомогою натискного блоку на верху додаткової огорожі до кінця різання.

Fig.57

Поперечне різання

⚠ОБЕРЕЖНО:

- Під час поперечного різання слід зняти напрямну планку зі столу.

ТЕХНІЧНЕ ОБСЛУГОВУВАННЯ

- У разі різання довгих або великих деталей, для них слід забезпечити належну опору за межами столу. Опора повинна мати однакову із столом висоту.
- Завжди тримай руки на відстані від шляху диска.

Кутовий шаблон

Використовуйте кутовий шаблон для виконання 4 типів різання, як показано на малюнку.

Fig.58

⚠ОБЕРЕЖНО:

- Надійно зафіксуйте ручку кутового шаблона.
- Слід уникати сповзання деталі та датчику міцним утримуючим пристроєм, особливо при різанні під кутом.
- ЗАБОРОНЕНО братись за передбачувану "відрізну" частину деталі.

Використання кутового шаблона

Fig.59

Вставте кутовий шаблон в широкі пази на столі. Послабте ручку на шаблоні та виставте його на необхідний кут (0° - 60°). Заведіть деталь урівень з напрямною та обережно подайте її вперед на полотно.

Додаткова лицьова дошка (кутовий шаблон)

Fig.60

Для запобігання хитанню довгих дошок на кутовий шаблон слід встановити додаткову лицьову дошку. Закріпіть її за допомогою болтів/гайок, просвердливши отвори, однак кріплення не повинне виступати на поверхні планки.

Перенесення верстата

Fig.61

Перевірте чи вимкнено інструмент із мережі. Якщо інструмент щойно експлуатувався в режимі різання під кутом, закріпіть диск під кутом нахилу 0° та поворотний стіл під косим кутом 0° . Опустіть ручку до упору та заблокуйте в опущеному положенні, натиснувши на стопорну шпильку.

Інструмент слід переносити тримаючи частину інструменту, як показано на малюнку.

Fig.62

⚠ОБЕРЕЖНО:

- Перед перенесенням верстата слід завжди закріплювати всі частини, що рухаються.
- перед транспортуванням інструмента завжди встановлюйте інструмент в режимі різання під кутом.
- Перевірте чи встановлено нижній захисний кожух С диску на інструмент.

⚠ОБЕРЕЖНО:

- Перед тим, як оглянути інструмент, або виконати ремонт, переконайтеся, що він вимкнений та відключений від мережі.

⚠УВАГА:

- Завжди пам'ятайте, що диск дуже гострий та слід проводити його чистку згідно з умовами безпеки.

Порядок регулювання кута різання

інструмент ретельно відрегульовано та налагоджено на заводі, але грубе використання може порушити налагодження. Якщо ваш інструмент не налагоджено належним чином, вивповідь наведені нижче операції

1. Косий кут

Fig.63

Болти регулювання косоного кута 0° розміщені в чотирьох положеннях.

Відпустіть болти регулювання косоного кута 0° , повертаючи проти стрілки годинника знизу стола.

Опустіть ручку до упору та заблокуйте її в опущеному положенні, витягнувши та обернувши стопорну шпильку до куту 90° за стрілкою годинника. Встановіть диск так, щоб його бік був перпендикулярний лицьовій поверхні напрямною планки за допомогою трикутника, косинця і т.і. Потім міцно затягніть чотири регулюючі болти на плечі знизу стола. Перевірте чи співпав покажчик з 0° на кутовій шкалі. Якщо ні, відрегулюйте положення покажчика, відпустивши гвинт, що кріпить покажчик. Після закінчення регулювання надійно затягніть гвинт

Fig.64

2. Кут нахилу

Fig.65

(1) Кут нахилу 0°

Опустіть ручку до упору та заблокуйте її в опущеному положенні, витягнувши та обернувши стопорну шпильку до куту 90° за стрілкою годинника. Відпустіть вальєр позаду інструмента.

Поверніть знизу стола болт регулювання кута нахилу 0° праворуч суб-плеча на два або три оберти за стрілкою годинника для того щоб нахилити диск вправо.

Обережно встановіть бокову поверхню диску перпендикулярно верхній поверхні поворотного столу за допомогою трикутника, косинця т.і. повернувши болт регулювання кута нахилу 0° за стрілкою годинника.

Fig.66

Перевірте, чи вказує покажчик на поворотному столі на 0° шкали нахилу на плечі. Якщо покажчик не вказує на 0° , відпустіть гвинт, що кріпить покажчик та регулюйте покажчик доки він не буде вказувати на 0° .

Fig.67

(2) Кут нахилу 45°

Відрегулюйте кут нахилу 45° тільки після завершення регулювання кута нахилу 0° . Для регулювання лівого кута нахилу 45° , відпустіть важіль та нахилить диск вліво до упору. Перевірте, чи вказує покажчик на плечі на 45° шкали нахилу на плечі. Якщо покажчик не вказує на 45° , повертайте болт регулювання кута нахилу 45° знизу стола ліворуч суб-плеча доки покажчик не буде вказувати на 45° .

Заміна вугільних щіток

Fig.68

Регулярно знімайте та перевіряйте вугільні щітки. Заміняйте їх, коли знос сягає граничної відмітки. Вугільні щітки повинні бути чистими та вільно рухатись у щіткотримачах. Одночасно треба замінювати обидві вугільні щітки. Використовуйте лише однакові вугільні щітки.

Для видалення ковпачків щіткотримачів користуйтеся викруткою. Видаліть зношені вугільні щітки, вставте нові та закріпіть ковпачки щіткотримачів.

Fig.69

Після використання.

- Після використання слід витерти стружку та пил, який налип на інструмент за допомогою ганчірки або чим-небудь подібним, щоб забезпечити максимальний термін експлуатації. Утримуйте захисні кожухи диску чистими відповідно до інструкцій наведених вище в розділі "Захисний кожух диску" Щоб уникнути іржі змазуйте пересувні частини механізму мастилом.

Для того, щоб підтримувати БЕЗПЕКУ та НАДІЙНІСТЬ, ремонт, технічне обслуговування або регулювання мають виконувати уповноважені центри обслуговування "Макіта", де використовуються лише стандартні запчастини "Макіта".

ОСНАЩЕННЯ

⚠ОБЕРЕЖНО:

- Це оснащення або приладдя рекомендовано для використання з інструментами "Макіта", що описані в інструкції з експлуатації. Використання якогось іншого оснащення або приладдя може спричинити травмування. Оснащення або приладдя слід використовувати лише за призначенням.

У разі необхідності, отримати допомогу в більш детальному ознайомленні з оснащенням звертайтеся до місцевого Сервісного центру "Макіта".

- Полотна пили з твёрдосплавною ріжучою пластиною на кінці
- Вертикальний затиск
- Торцевий ключ 13-3
- Мішок для пилу
- Трикутна лійка
- Кожух диску (Нижній захисний кожух С диску)
- Штовхач
- Лійка у зборі (Напрямна планка)
- Кутовий шаблон
- Фіксуючі пластини (3 шт.)
- Болти із шестигранными голівками (3шт.)
- Коліно
- Верхній кожух в зборі (Верхній захисний кожух диску)

Objaśnienia do widoku ogólnego

- 1-1. Śruba regulacyjna
- 1-2. Noga
- 2-1. Płyta nieruchoma
- 2-2. Śruba sześciokątna
- 3-1. Rowki w kształcie litery U
- 4-1. Osłona tarczy dolnej A
- 4-2. Osłona tarczy dolnej B
- 5-1. Osłona tarczy dolnej A (używana tylko w trybie piły grzbietnicowej)
- 6-1. Przycisk
- 6-2. Klin rozszczepiający
- 6-3. Osłona tarczy górnej (używana tylko w trybie piły grzbietnicowej)
- 7-1. Górna powierzchnia podstawy obrotowej
- 7-2. Powierzchnia tnąca tarczy
- 7-3. Prowadnica
- 8-1. Ogranicznik dolny
- 8-2. Śruba regulacyjna
- 8-3. Nakrętka
- 9-1. Śruba
- 9-2. Prowadnica
- 10-1. Rękojeść
- 10-2. Podstawa obrotowa
- 11-1. Dźwignia
- 12-1. Rękojeść
- 13-1. Dźwignia
- 13-2. Pokrętko regulacji głębokości cięcia
- 14-1. Przełącz w tryb piły grzbietnicowej
- 14-2. Przełącz w tryb piły stołowej
- 14-3. Przycisk blokady
- 14-4. Spust przełącznika
- 14-5. Rękojeść
- 14-6. Dźwignia
- 14-7. Przycisk On
- 14-8. Przycisk Off
- 15-1. Pokrętko regulacji głębokości cięcia
- 16-1. Kołek oporowy
- 17-1. Klucz nasadowy
- 17-2. Uchwyt klucza
- 18-1. Klucz nasadowy
- 18-2. Blokada wału
- 18-3. Śruba sześciokątna
- 19-1. Dźwignia
- 19-2. Dźwignia podnosząca
- 20-1. Tarcza
- 20-2. Osłona tarczy B
- 21-1. Obudowa tarczy
- 21-2. Strzałka
- 21-3. Tarcza
- 21-4. Strzałka
- 22-1. Śruba sześciokątna
- 22-2. Kołnierz zewnętrzny
- 22-3. Tarcza
- 22-4. Kołnierz wewnętrzny
- 22-5. Wrzeciono
- 22-6. Pierścień
- 23-1. Nakrętka zaciskowa
- 23-2. Śruba sześciokątna
- 23-3. Klin rozszczepiający
- 24-1. Klin rozszczepiający
- 24-2. Tarcza
- 25-1. Szerokość ostrza
- 25-2. Klin rozszczepiający
- 25-3. Śruba sześciokątna
- 26-1. Uchwyt prowadnicy wzdłużnej
- 26-2. Reling prowadzący
- 26-3. Śruba zaciskowa (A)
- 26-4. Śruba zaciskowa (B)
- 26-5. Prowadnica wzdłużna
- 27-1. Prowadnica wzdłużna
- 27-2. Uchwyt prowadnicy wzdłużnej
- 27-3. Linia wyrównania
- 27-4. Tarcza
- 27-5. Stół
- 27-6. Obrabiany element
- 28-1. Prowadnica wzdłużna
- 28-2. Uchwyt prowadnicy wzdłużnej
- 28-3. Tarcza
- 29-1. Prowadnica wzdłużna
- 29-2. Uchwyt prowadnicy wzdłużnej
- 29-3. Nakrętka kwadratowa
- 29-4. Śruba zaciskowa (A)
- 29-5. Śruba zaciskowa (B)
- 30-1. Podziałka
- 31-1. Prowadnica wzdłużna
- 31-2. Uchwyt prowadnicy wzdłużnej
- 31-3. Śruba regulacyjna
- 32-1. Prowadnica wzdłużna
- 32-2. Tarcza
- 32-3. Osłona tarczy górnej
- 33-1. Prowadnica przymiaru do cięcia ukośnego
- 33-2. Przymiar do cięcia ukośnego
- 33-3. Rowki
- 34-1. Dysza odpylania
- 34-2. Worek na pył
- 35-1. Worek na pył
- 35-2. Łącznik
- 37-1. Dysza odpylania
- 37-2. Kolanko
- 38-1. Ramię zacisku
- 38-2. Drażek zacisku
- 38-3. Prowadnica
- 38-4. Pokrętko zacisku
- 38-5. Śruba
- 39-1. Śruba
- 39-2. Prowadnica
- 40-1. Dźwignia
- 41-1. Ogranicznik dolny
- 41-2. Śruba regulacyjna
- 42-1. Śruba
- 43-1. Kołek oporowy
- 44-1. Głowica piły zablokowana w całkowicie obniżonej pozycji
- 45-1. Dźwignia
- 45-2. Strefa dźwigni, na której należy trzymać dior/palec
- 45-3. Części zaczepu
- 46-1. Przycisk
- 46-2. Klin rozszczepiający
- 46-3. Osłona tarczy górnej (używana tylko w trybie piły grzbietnicowej)
- 47-1. Kołek oporowy
- 48-1. Prowadnica
- 48-2. Prowadnica P
- 48-3. Prowadnica L
- 48-4. Sworzeń
- 48-5. Śruba
- 49-1. Gdy prowadnica jest zdjęta
- 49-2. Gdy prowadnica jest zamontowana
- 50-1. Zacisk (wyposażenie dodatkowe)
- 51-1. Zacisk (wyposażenie dodatkowe)
- 52-1. Zacisk
- 52-2. Kłoczek rozporowy
- 52-3. Prowadnica
- 52-4. Kształtownik aluminiowy
- 52-5. Kłoczek rozporowy
- 53-1. Równoległe do powierzchni czołowej/krawędzi
- 55-1. Popychacz
- 56-1. Prowadnica pomocnicza
- 57-1. Kłoczek dociskowy
- 57-2. Prowadnica pomocnicza
- 58-1. Cięcie poprzeczne
- 58-2. Cięcie pod kątem w poziomie
- 58-3. Cięcie pod kątem w pionie
- 58-4. Cięcie pod kątem złożone (kąty)
- 59-1. Bruzda
- 59-2. Przymiar do cięcia ukośnego
- 59-3. Gałka
- 61-1. Kołek oporowy
- 62-1. Część narzędzia, za którą należy trzymać podczas przenoszenia
- 64-1. Ekiemka
- 64-2. Tarcza
- 64-3. Prowadnica
- 65-1. Śruba regulacyjna kąta 0°
- 65-2. Śruba regulacyjna kąta 45°

66-1. Ekierka
66-2. Tarcza
66-3. Górna powierzchnia podstawy
obrotowej

67-1. Ramię
67-2. Podziałka kąta cięcia w pionie
67-3. Wskaźnik
67-4. Podstawa obrotowa

68-1. Znak ograniczenia
69-1. Pokrywa uchwyty szczotki
69-2. Śrubokręt

SPECYFIKACJE

Model	LF 1000
Średnica tarczy	260 mm
Średnica otworu	
Kraje europejskie	30 mm
Maks. wydajność cięcia (wys. x szer.) w przypadku tarczy o średnicy 260 mm w trybie piły grzbietnicowej	

Kąt cięcia w pionie	Kąt cięcia w poziomie	
	0°	
0°	20 mm x 210 mm	68 mm x 155 mm
	50 mm x 150 mm	
45° (w lewo)	50 mm x 150 mm	

Maks. wydajność cięcia pod kątem 90° w trybie piły stołowej	70 mm
Prędkość bez obciążenia (min ⁻¹)	2 700
Rozmiar stołu (szer x dł)	500 mm x 555 mm
Wymiary (dług. x szer. x wys.) (uwaga 1) /H2(uwaga 2) w trybie piły grzbietnicowej	660 mm x 650 mm x 1 220 mm / 800 mm
w trybie piły stołowej	660 mm x 650 mm x 1 060 mm / 845 mm
Ciężar netto	32 kg
Klasa bezpieczeństwa	□/II

Uwaga 1 H1: Wysokość do głowicy narzędzia







Uwaga 2 H2: Wysokość do stołu

- W związku ze stale prowadzonym przez naszą firmę programem badawczo-rozwojowym, niniejsze specyfikacje mogą ulec zmianom bez wcześniejszego powiadomienia.
- Uwaga: Specyfikacje mogą różnić się w zależności od kraju.

END213-4

Symbole

Poniżej pokazano symbole zastosowane na urządzeniu. Przed użyciem należy zapoznać się z ich znaczeniem.

-  • Przeczytaj instrukcję obsługi.
-  • **PODWÓJNA IZOLACJA**
-  • Aby uniknąć obrażeń powodowanych odpryskami, po zakończeniu cięcia głowicę tnącą należy naciskać od góry, aż tarcza przestanie się obracać.
-  • Dłonie i palce należy trzymać z dala od tarczy.
-  • Dla swojego bezpieczeństwa, przed przystąpieniem do pracy usuń wióry, drobne kawałki materiału itp. z powierzchni stołu.
-  • Przed obróceniem narzędzia wokół osi, odłącz je od zasilania.



- Podczas przenoszenia trzymaj dłonie w prawidłowej pozycji.



- Nie podnoś górnego końca przewodnicę podczas jego montażu lub demontażu.



- Tylko dla krajów UE
Nie usuwać sprzętu elektrycznego razem z innymi odpadami gospodarstwa domowego!
Przestrzegając Europejskiej Dyrektywy 2002/96/EC o odpadach elektrycznych i elektronicznych oraz jej wprowadzenia w życie zgodnie z prawem narodowym, sprzęt elektryczny o zakończonym okresie eksploatacyjnym należy gromadzić oddzielnie i zwracać do organizacji zajmujących się zbieraniem zużytego sprzętu.

ENE061-1

Przeznaczenie

Narzędzie to przeznaczone jest do dokładnego cięcia prostego i ukośnego elementów drewnianych.

Narzędzie może być używane w trybie piły grzbietnicowej i stołowej poprzez obrócenie stołu wokół jego osi.

ENF002-1

Zasilanie

Elektronarzędzie może być podłączane jedynie do zasilania o takim samym napięciu jakie określa tabliczka znamionowa i może być uruchamiane wyłącznie przy zasilaniu jednofazowym prądem zmiennym. Przewody są podwójnie izolowane zgodnie z Normami Europejskimi i dlatego mogą być podłączone do gniazdek bez przewodu uziemiającego.

ENG037-1

Tylko dla krajów europejskich

Hałas i drgania

Typowy ważony poziom głośności mierzony według krzywej A wynosi

poziom ciśnienia akustycznego: 92 dB(A)

poziom mocy akustycznej: 105 DB (a)

Nosić ochronniki słuchu

Typowa wartość ważonej średniej kwadratowej przyspieszenia wynosi pow.2,5 m/s².

Powyższe wartości uzyskano w oparciu o normę EN61029.

ENH015-4

Model; LF1000

DEKLARACJA ZGODNOŚCI Z NORMAMI WE

Deklarujemy, na naszą wyłączną odpowiedzialność, że niniejszy produkt jest zgodny z następującymi normami dokumentów normalizacyjnych;

EN50144, EN55014, EN61000 w świetle Dyrektyw Rady o sygnaturach 89/336/EEC, 98/37/EC.

Certyfikat zgodności dokumentacji technicznej z normą 98/37/EC został wydany przez następującą jednostkę notyfikowaną:

Intertek SEMKO AB, Torshamnsgatan 43, Box 1103, SE-164 22 Kista, Szwecja

Yasuhiko Kanzaki **CE2005**

000087

Dyrektor

MAKITA INTERNATIONAL EUROPE LTD.

Michigan Drive, Tongwell, Milton Keynes, Bucks MK15 8JD, ENGLAND (ANGLIA)

Producent odpowiedzialny:

Makita Corporation Anjo Aichi Japan (Japonia)

ENB094-2

DODATKOWE ZASADY BEZPIECZEŃSTWA DOTYCZĄCE NARZĘDZIA

DLA TRYBU PIŁY STOŁOWEJ I PIŁY GRZBIETNICOWEJ

1. Noś okulary ochronne i ochraniacze na uszy. Noś inny stosowny sprzęt ochrony osobistej.
2. NIGDY nie noś rękawic podczas pracy, za

wyjątkiem wymiany tarczy lub przenoszenia szorstkiego materiału przed obróbką.

3. Podłoga w pobliżu narzędzia powinna być równa, utrzymywana w czystości i dobrym stanie, wolna od luźnych materiałów takich jak wiórki i ścinki.
4. Nie uruchamiaj piły bez zamocowanych osłon i klina rozszczepiającego. Każdorazowo przed użyciem sprawdź, czy osłona prawidłowo się zamyka. Nie uruchamiaj pilarki, jeżeli osłona nie przesuwają się swobodnie i zamyka się z opóźnieniem. Nie wolno w żadnym wypadku przywiązywać osłony lub w inny sposób unieruchamiać jej w pozycji otwartej. Jakiegokolwiek nieprawidłowości w jej działaniu należy natychmiast usunąć.
5. Wyczyć i uważaj, aby nie uszkodzić wrzeciona, kołnierzy (szczególnie powierzchni mocujących) ani śruby, ponieważ może to spowodować pęknięcie tarczy. Uszkodzenie tych części może być przyczyną pęknięcia tarczy. Nieprawidłowe zamocowanie lub niedokładne wyważenie tarczy może spowodować jej drgania, bicie osiowe lub ześlizgnięcie. Używać wyłącznie kołnierzy przeznaczonych do tego urządzenia.
6. Przed przystąpieniem do pracy sprawdzić dokładnie tarczę pod kątem ewentualnych pęknięć lub uszkodzeń. Nie używać zdeformowanej bądź uszkodzonej tarczy.
7. Używaj tylko tarcz zalecanych przez producenta i zgodnych z normą EN847-1. Pamiętaj, że klin rozszczepiający nie może być grubszy od szerokości cięcia i nie może być cieńszy, niż tarcza.
8. Zawsze używaj wyposażenia zalecanego w niniejszej instrukcji obsługi. Używanie niewłaściwego osprzętu, np. tarczy ściernych, może być przyczyną wypadku.
9. Dobierz odpowiednią tarczę do obrabianego materiału.
10. Nie używaj tarcz tnących wykonanych ze stali szybko tnącej.
11. Aby obniżyć poziom powstającego podczas pracy hałasu, należy zawsze stosować ostre i czyste tarcze.
12. Należy używać prawidłowo naostrzonych tarcz. Należy przestrzegać maksymalnej prędkości obrotowej zaznaczonej na tarczy.
13. Nie tnij metalowych przedmiotów takich jak gwoździe i śruby. Przed przystąpieniem do pracy skontrolować obrabiany element pod względem obecności w nim gwoździ, wkrętów itp., które należy usunąć z powierzchni.
14. PRZED rozpoczęciem cięcia usunąć z obrabianego elementu wszelkie luźne śęki.
15. Nie używaj narzędzia w obecności palnych cieczy lub gazów.

16. Dla swojego bezpieczeństwa, przed przystąpieniem do pracy usuń wióry, drobne kawałki materiału itp. z powierzchni stołu.
17. Operator powinien przejść prawidłowe szkolenie w zakresie używania i regulowania urządzenia.
18. Nie zbliżaj rąk do obracającej się tarczy i pilnuj, aby nie robiła tego osoba znajdująca się w pobliżu. Staraj się nie dotykać ostrzy na krawędzi tarczy. Może to bowiem spowodować poważne obrażenia - nie zbliżaj się do tarczy.
19. Zawsze zachowuj czujność, szczególnie podczas powtarzających się, monotonna czynności. Nie daj się zwieść pozornemu poczuciu bezpieczeństwa. Tarcze tnące mogą okazać się niezwykle niebezpieczne.
20. Przed włączeniem urządzenia sprawdź, czy blokada wałka została zwolniona.
21. Przed przystąpieniem do obróbki danego elementu pozwól, aby narzędzie obracało się przez chwilę bez obciążenia. Zwracaj uwagę na ewentualne drgania lub bicie osiowe, które mogą wskazywać na nieprawidłowe zamocowanie lub niedokładne wyważenie tarczy.
22. Rozpocznij cięcie, gdy tarcza osiągnie swoją pełną prędkość.
23. Narzędzia można używać tylko do cięcia rówków, wpustów i szczelin.
24. Kiedy urządzenie pracuje i głowica tnąca nie znajduje się w położeniu spoczynkowym, należy unikać usuwania z obszaru pracy wszelkich pozostałości po cięciu.
25. Natychmiast przerwij pracę, jeżeli zauważysz jakąkolwiek nieprawidłowość.
26. Przed usunięciem przeciętego elementu lub zmianą ustawień wyłącz narzędzie i odczekaj, aż tarcza zatrzyma się.
27. Przed przystąpieniem do wymiany tarczy lub czynności serwisowych odłącz narzędzie od zasilania.
28. Pył powstający w czasie pracy może zawierać substancje chemiczne powodujące nowotwory, powikłania ciąży u kobiet, itp. Oto przykłady takich substancji:
 - ołów zawarty w niektórych farbach oraz
 - arsen i chrom zawarty w impregnowanym drewnie.
 Stopień narażenia na te substancje zależy od tego, jak często wykonujesz takie prace. Aby zmniejszyć to zagrożenie: pracuj w miejscach dobrze wentylowanych i używaj sprawdzonych zabezpieczeń, takich jak maski przeznaczone do odfiltrowania mikroskopijnych cząstek.
29. Podczas cięcia podłączaj piłę do urządzenia zbierającego pył.
30. Upewnij się, że stół jest solidnie zablokowany przy pomocy dźwigni.

PODCZAS PRACY W TRYBIE PIŁY GRZBIETNICOWEJ:

31. Nie używaj pilarki do cięcia materiałów innych niż aluminium, drewno lub do nich podobnych.
32. Nie wykonuj pracy w pobliżu piły trzymając obrabiany element w ręce. Obrabiany element musi być solidnie zablokowany przy podstawie obrotowej i prowadnicy.
33. Upewnij się, że podstawa obrotowa jest dobrze zabezpieczona i nie będzie się przesuwająca podczas pracy.
34. Podczas cięcia pod kątem w pionie upewnij się, że ramię jest solidnie zablokowane. Dokręć dźwignię w kierunku zgodnym z ruchem wskazówek zegara, aby zablokować ramię.
35. Przed włączeniem urządzenia należy upewnić się, że tarcza nie dotyka obrabianego elementu.
36. Trzymaj mocno za uchwyt. Pamiętaj, że piła przesuwana się nieznacznie w górę lub w dół na początku i na końcu cięcia.

PODCZAS PRACY W TRYBIE PIŁY STOŁOWEJ:

37. Nie wykonuj żadnych operacji, trzymając obrabiany element w ręce. Oznacza to, że nie możesz używać dłoni do podpierania obrabianego elementu zamiast użyć prowadnicy.
38. Upewnij się, że podstawa obrotowa jest solidnie zamocowana.
39. Upewnij się, że ramię jest solidnie zablokowane w pozycji roboczej. Dokręć dźwignię w kierunku zgodnym z ruchem wskazówek zegara, aby zablokować ramię.
40. Do przesuwania elementu w pobliżu tarczy używaj klocka lub podobnego elementu, nigdy zaś dłoni lub palców.
41. Przed włączeniem urządzenia upewnij się, czy tarcza nie dotyka klina rozszczepiającego lub obrabianego elementu.
42. Jeżeli przyrządy do popychania elementu nie są używane, odłóż je na miejsce.
43. Zachowaj szczególną ostrożność, aby zmniejszyć ryzyko ODRZUTU. ODRZUT stanowi nagłą reakcję zakleszczoną, zablokowaną lub wygiętą tarczy. ODRZUT polega na niekontrolowanym uniesieniu pilarki w górę i wyrzuceniu jej z przecinanego elementu w kierunku operatora. ODRZUT STWARZA ZAGROŻENIE OBRAŻENIAMI. ODRZUTU można uniknąć pilnując, aby tarcza była zawsze ostra, trzymając prowadnicę równoległą do tarczy, pamiętając o prawidłowej pozycji osłony i klina rozszczepiającego, nie zwalnając

przedwcześnie obrabianego elementu i nie obrabiając elementu, gdy jest skrzywiony lub wypaczony lub nie posiada prostej krawędzi, którą można prowadzić wzdłuż prowadnicy.

44. Unikaj przerywanego, zbyt szybkiego posuwu. Podczas cięcia przesuwaj element powoli. Nie skręcaj i nie wyginaj go podczas przesuwu. Jeżeli tarcza zakleszcza się lub blokuje, natychmiast wyłącz narzędzie. Odłącz narzędzie od zasilania. Następnie odblokuj zakleszczoną tarczę.
45. Przed obróceniem narzędzia zawsze się upewnij, że kołek oporowy zablokował głowicę narzędzia w najniższej pozycji.

ZACHOWAĆ INSTRUKCJE

MONTAŻ

⚠UWAGA:

Podłoga w pobliżu narzędzia powinna być równa, utrzymywana w czystości i dobrym stanie, wolna od luźnych materiałów takich jak wiórki i ścinki.

Mocowanie do stołu roboczego

W wersji z wysuniętymi nóżkami narzędzie należy ustawić na wysokości stołu.

Jeżeli narzędzia nie można ustawić w stabilny sposób, należy obrócić nakrętkę regulującą w nóżce narzędzia tak, aby uzyskać odpowiednią stabilność. Przekręć ją w kierunku odwrotnym do ruchu wskazówek zegara, aby skrócić nóżki lub w kierunku zgodnym z ruchem wskazówek zegara, aby je przedłużyć. Po wyregulowaniu upewnij się, że narzędzie pozostaje stabilne.

Rys.1

Zamontuj płytki mocujące tak, aby końcówka ustawiona pod kątem skierowana była do zewnątrz ku trzem nóżkom narzędzia, przykręcając je śrubami sześciokątnymi. Przymocuj narzędzie do stabilnej i równej powierzchni, wkręcając trzy śruby dostarczone z płytkami do odpowiednich otworów.

Rys.2

W przypadku złożonych nóżek narzędzie należy ustawić tak, jak niski stół.

Rys.3

Gdy narzędzie jest gotowe w pozycji ze złożonymi nóżkami, zablokuj je przy pomocy rowków w kształcie U pokazanych na ilustracji.

OPIS DZIAŁANIA

⚠UWAGA:

- Przed rozpoczęciem regulacji i sprawdzania działania elektronarzędzia, należy upewnić się, czy

jest ono wyłączone i nie podłączone do sieci.

Ośłona tarczy

Rys.4

Rys.5

Rys.6

⚠UWAGA:

- Upewnij się, że uchwyt nie może zostać obniżony bez przesunięcia dźwigni obok uchwytu w lewo.
- Upewnij się, że dolne osłony tarczy A i B nie otwierają się, dopóki dźwignia obok uchwytu nie zostanie przesunięta do najwyższej pozycji uchwytu.
- Przed uruchomieniem narzędzia w trybie piły grzbietnicowej upewnij się, że dolne osłony tarczy C jest zamontowana.

Gdy uchwyt jest opuszczany, a równocześnie dźwignia przesuwana jest w lewo, dolna osłona tarczy A podnosi się automatycznie. Dolna osłona tarczy B podnosi się, gdy styka się z obrabianym elementem. Po zakończeniu cięcia i podniesieniu uchwytu sprężyna powoduje powrót osłony do jej pierwotnego położenia. Górna osłona tarczy opada płasko na górną powierzchnię po tym, gdy przeszedł pod nią obrabiany element. **NIE WOLNO BLOKOWAĆ LUB DEMONTOWAĆ OSŁONY TARCZY ANI SPRĘŻYNY PRZYMOCOWANEJ DO DOLNEJ LUB GÓRNEJ OSŁONY TARCZY**, za wyjątkiem sytuacji opisanej poniżej.

Ze względów bezpieczeństwa osłona zabezpieczająca musi być zawsze sprawna. Jakikolwiek nieprawidłowości w jej działaniu należy natychmiast usunąć. Upewnij się, czy sprężynowy mechanizm powrotny osłony działa prawidłowo. **NIE WOLNO UŻYWAĆ NARZĘDZIA, JEŻELI OSŁONA DOLNA LUB GÓRNA TARCZY LUB JEJ SPRĘŻYNA SĄ USZKODZONE, NIESPRAWNE ALBO ZOSTAŁY ZDEMONTOWANE**, za wyjątkiem sytuacji opisanej poniżej. **UŻYWANIE NARZĘDZIA W TAKIM STANIE JEST BARDZO NIEBEZPIECZNE I MOŻE BYĆ PRZYCZYNNĄ POWAŻNYCH OBRAŻEŃ CIAŁA.**

UWAGA:

- Istnieją następujące wyjątki dotyczące zdejmowania osłon. Tylko wtedy, gdy narzędzie używane jest w trybie płyty stołowej, dolna osłona tarczy C może być zdjęta. Tylko wtedy, gdy narzędzie używane jest w trybie płyty grzbietnicowej, górna osłona tarczy może być zdjęta.

Jeżeli przezroczysta osłona tarczy zabrudzi się albo pokryje pyłem w takim stopniu, że tarcza nie jest dobrze widoczna, wyciągnij wtyczkę kabla zasilającego pilarki z gniazdka i starannie wyczyść pokrywę wilgotną ściereczką. Do czyszczenia osłony wykonanej z tworzywa sztucznego nie wolno używać rozpuszczalników ani środków czyszczących na bazie ropy naftowej.

Jeżeli dolna osłona tarczy A jest wyjątkowo zabrudzona i

utrudnia widoczność, wykonaj następujące czynności. Podnieś do oporu uchwyt. Zdejmij tarczę (Sięgnij do części zatytułowanej "Montaż lub demontaż tarczy") Podnieś osłonę dolną tarczy A, równocześnie przesuwając dźwignię w lewo. W takim położeniu osłonę tarczy A można dokładniej wyczyścić. Po zakończeniu czyszczenia wykonaj podane powyżej czynności w odwrotnej kolejności i dokręć śrubę.

W przypadku górnej osłony tarczy wcisnij przycisk znajdujący się u góry z przodu i wyjmij górną osłonę tarczy. Po wyczyszczeniu zawsze zamontuj ją ponownie.

Jeżeli osłona z czasem przebarwi się pod wpływem promieniowania ultrafioletowego, skontaktuj się z punktem serwisowym narzędzi Makita, aby zamówić nową osłonę. OSŁONY NIE WOLNO BLOKOWAĆ ANI DEMONTOWAĆ.

Zachowanie maksymalnej wydajności cięcia

Rys.7

Urządzenie jest fabrycznie ustawione w taki sposób, aby zapewnić maksymalną wydajność cięcia dla tarcz o średnicy 260 mm.

Zakładając nową tarczę, zawsze sprawdź jej dolne położenie graniczne i w razie potrzeby skoryguj je w następujący sposób:

⚠UWAGA:

- Przed wykonaniem tej regulacji odłącz narzędzie od zasilania.

Najpierw należy wyjąć wtyczkę narzędzia z gniazda zasilającego. Opuść do oporu uchwyt pilarki. Kluczem nasadowym obracaj śrubę regulacyjną, aż krawędź tarczy znajdzie się nieznacznie poniżej górnej powierzchni podstawy obrotowej w punkcie, w którym płaszczyzna czołowa prowadnicy styka się z górną powierzchnią podstawy obrotowej.

Przy wyłączonym urządzeniu obróć ręką tarczę, przytrzymując uchwyt pilarki w skrajnym dolnym położeniu, aby upewnić się, że tarcza nie dotyka żadnej części dolnej podstawy. W razie potrzeby skoryguj nieznacznie ustawienie tarczy.

⚠UWAGA:

- Po założeniu nowej tarczy, zawsze upewnij się, czy przypadkiem nie dotyka ona jakiegóż części dolnej podstawy, gdy uchwyt pilarki jest opuszczony do oporu. Czynność tę należy wykonywać zawsze przy odłączonym zasilaniu.

To narzędzie może być używane z limitem dolnym lub bez niego - w tym przypadku przesuwają się ogranicznik dolny tak, jak pokazano na ilustracji.

Aby użyć narzędzia bez ogranicznika dolnego, przekręć jego koniec w kierunku odwrotnym do ruchu wskazówek zegara. Ta pozycja jest odpowiednia w przypadku cięcia szerokich i cienkich elementów.

Aby użyć narzędzia z ogranicznikiem dolnym, przekręć jego koniec w kierunku zgodnym z ruchem wskazówek zegara. Ta pozycja jest odpowiednia do cięcia grubych

elementów.

Rys.8

Regulacja kąta cięcia w poziomie

Rys.9

Rys.10

Poluzuj śrubę zaciskową prowadnicy, przekręcając ją w kierunku odwrotnym do ruchu wskazówek zegara. Obróć podstawę obrotową, trzymając ją za uchwyt. Po przesunięciu uchwytu do położenia, w którym wskaźnik pokazuje na podziałce kąta cięcia w poziomie żądany kąt, mocno dokręć śrubę dociskową zgodnie z ruchem wskazówek zegara.

⚠UWAGA:

- Chcąc zmienić położenie podstawy obrotowej koniecznie podnieś do oporu uchwyt pilarki.
- Po zmianie kąta cięcia w poziomie, zawsze zablokuj podstawę obrotową dokręcając mocno śrubę dociskową.

Regulacja kąta cięcia w pionie

W trybie piły grzbietnicowej

Rys.11

Rys.12

Aby zmienić ustawienie kąta cięcia w pionie, poluzuj dźwignię z tyłu urządzenia obracając ją w kierunku przeciwnym do ruchu wskazówek zegara.

Przesuń uchwyt pilarki w lewo, aby przechylić tarczę, aż wskaźnik ustawi się na wybranym kącie na skali kąta cięcia w pionie. Następnie dokręć mocno dźwignię, aby zablokować ramię.

⚠UWAGA:

- Chcąc przechylić tarczę koniecznie podnieś do oporu uchwyt narzędzia.
- Po zmianie ustawienia kąta cięcia w pionie pamiętaj, aby zablokować ramię dokręcając dźwignię w kierunku zgodnym z ruchem wskazówek zegara.

W trybie piły stołowej

Rys.13

Aby zmienić ustawienie kąta cięcia w pionie, poluzuj dźwignię pod stołem z przodu urządzenia, obracając ją w kierunku przeciwnym do ruchu wskazówek zegara.

Przesuń gałkę regulującą głębokość w lewo, aby przechylić tarczę, aż wskaźnik ustawi się na wybranym kącie na skali kąta cięcia w pionie. Następnie dokręć mocno dźwignię, aby zablokować ramię.

Włączanie

Rys.14

Przełącz w tryb piły grzbietnicowej

⚠UWAGA:

- Przed podłączeniem elektronarzędzia do sieci zawsze sprawdzać czy dźwignia włącznika działa poprawnie i wraca do pozycji "OFF" po zwolnieniu.
- Kiedy nie używasz urządzenia, wyjmij przycisk

blokadę i schowaj go w bezpiecznym miejscu. W ten sposób można zapobiec uruchomieniu narzędzia przez nieupoważnione osoby.

- Nie ciągnij na siłę za język spustowy wyłącznika bez wcześniejszego wciśnięcia przycisku blokady. Można w ten sposób połamać przełącznik.

Urządzenie wyposażone jest w przycisk blokady załączenia, który zapobiega przypadkowemu pociągnięciu za język spustowy przełącznika. Aby uruchomić urządzenie, przesunąć dźwignię w lewo, naciśnij przycisk blokady, a następnie pociągnij dźwignię przełącznika. Aby zatrzymać urządzenie, wystarczy zwolnić dźwignię przełącznika.

Przełącz w tryb piły grzbietnicowej

⚠ UWAGA:

- Przed rozpoczęciem pracy upewnij się, że narzędzie włącza się i wyłącza bezproblemowo.

Aby uruchomić narzędzie, naciśnij przycisk ON (I). Aby zatrzymać narzędzie, należy nacisnąć przycisk OFF (O).

Regulacja głębokości cięcia

Rys.15

Głębokość cięcia można wyregulować przy pomocy gałki regulującej. Przekręć gałkę w kierunku zgodnym z ruchem wskazówek zegara, aby podnieść ostrze lub w kierunku odwrotnym do ruchu wskazówek zegara, aby je obniżyć.

⚠ OSTRZEŻENIE:

- Podczas cięcia cienkich materiałów, ustawiaj piłę na niewielką głębokość - w ten sposób wykonasz

pracę w czysty sposób.

⚠ UWAGA:

- Kołka oporowa nie można obrócić, gdy głowica narzędzia znajduje się w całkowicie obniżonej pozycji. Proszę najpierw lekko przekręcić gałkę w kierunku odwrotnym do ruchu wskazówek zegara, a następnie zwolnić kolek oporowy.

Rys.16

MONTAŻ

⚠ UWAGA:

- Przed wykonywaniem jakichkolwiek czynności na elektronarzędziu należy upewnić się, czy jest ono wyłączone i nie podłączone do sieci.

Przechowywanie klucza nasadowego

Rys.17

Klucz nasadowy należy przechowywać w taki sposób, jak pokazano na ilustracji. Jeżeli masz zamiar użyć klucza nasadowego, wyjmij go z uchwytu. Po użyciu klucza nasadowego, włóż go z powrotem do uchwytu.

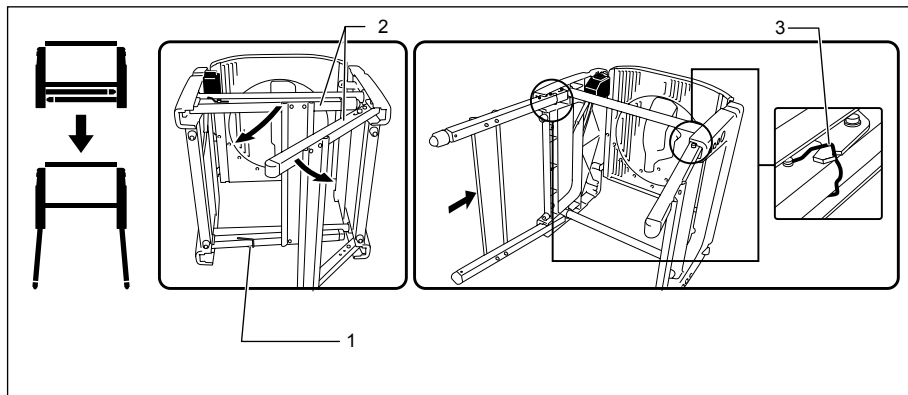
Dwukierunkowa regulacja wysokości stołu

Wysokość stołu można ustawić na dwa sposoby: jako stół wysoki lub stół niski.

⚠ OSTRZEŻENIE:

- Przed upuszczeniem narzędzia do tyłu zawsze ustawiaj je na tryb piły grzbietnicowej i zablokuj głowicę narzędzia w najniższej pozycji.

1. Ustawienie stołu w pozycji wysokiej



1. Hak
2. Stopy
3. Zaczep ogranicznika

006043

Aby ustawić narzędzie w wersji z wysokim stołem, wykonaj następujące czynności.

- (1) Opuść ostrożnie narzędzie DO TYŁU, trzymając je obiema rękami.

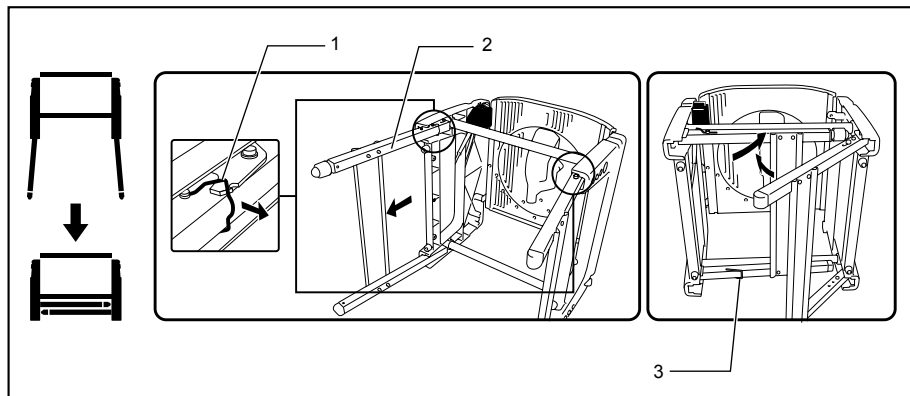
- (2) Przekręć hak w kierunku wskazywanym przez strzałkę na ilustracji, aby zwolnić nóżki. Otwórz nóżki stołu po jednej stronie i

wepchnij pręt dolny do oporu do przodu, aby się samoczynnie zablokował. Wykonaj tę samą procedurę z nóżkami po przeciwnej stronie. Upewnij się, że nożki po obu stronach są całkowicie zablokowane.

⚠OSTRZEŻENIE:

- Upewnij się, że haki ogranicznika znajdują się idealnie w rowku wspornika.
- (3) Przywróć narzędzie do pozycji pionowej.

2. Ustawienie stołu w pozycji niskiej



1. Zaczep ogranicznika

2. Stopy

3. Hak

006044

Nóżki można złożyć w taki sposób, jak pokazano na ilustracji. Aby złożyć narzędzie, wykonaj następujące czynności.

- (1) Opuść ostrożnie narzędzie DO TYŁU, trzymając je obiema rękami.
- (2) Wyciągnij najpierw ogranicznik znajdujący się w miejscu złączenia lewych nóg, pociągając go do siebie, aby go odblokować.
- (3) Zrób to samo z nóżkami po przeciwnej stronie.
- (4) Użyj haka, aby zaczepić te nożki.
- (5) Przywróć narzędzie do pozycji pionowej.

Zakładanie lub zdejmowanie tarczy

⚠UWAGA:

- Przed przystąpieniem do wymiany tarczy zawsze upewnij się, czy urządzenie jest wyłączone i odłączone od zasilania.
- Do zakładania i zdejmowania tarczy używaj wyłącznie dołączonego klucza nasadowego firmy Makita. Niestosowanie się do tego zalecenia może spowodować nadmierne lub niedostateczne dokręcenie śruby sześciokątnej. Może to spowodować zranienie.

Przesuń uchwyt do całkowicie podniesionej pozycji. Naciśnij blokadę wałka, aby zablokować wrzeciono i odkręć śrubę sześciokątą za pomocą klucza nasadowego zgodnie z ruchem wskazówek zegara.

Rys.18

Podnieś osłonę tarczy A przy pomocy dźwigni podnoszącej, równocześnie przesuwając w lewo dźwignię znajdującą się obok uchwytu. Gdy osłona tarczy A zostanie podniesiona, zdejmij śrubę sześciokątną, kołnierz zewnętrzny i tarczę.

Rys.19

Aby zamontować tarczę, nałóż ją na trzpień obrotowy, upewniając się, czy kierunek strzałki na powierzchni tarczy jest zgodny z kierunkiem strzałki na jej obudowie. Załóż kołnierz i śrubę sześciokątną, a następnie dokręć ją do oporu, przeciwnie do ruchu wskazówek zegara, za pomocą klucza nasadowego, naciskając równocześnie blokadę wałka.

Rys.20

Rys.21

UWAGA:

- Podczas instalowania tarczy pamiętaj o wsunięciu pomiędzy osłonę tarczy B, następnie podnieś ją tak, aby tarcza znalazła się w osłonie tarczy B.

Dla wszystkich krajów pozaeuropejskich

Rys.22

⚠UWAGA:

- Na trzpieniu obrotowym fabrycznie jest montowany srebrny pierścień o średnicy zewnętrznej 25,4 mm. Czarny pierścień o średnicy zewnętrznej 25 mm jest dołączony jako wyposażenie standardowe.

Przed zamocowaniem tarczy, zawsze upewnij się, czy na trzpieniu obrotowym znajduje się pierścień dopasowany do otworu tarczy, którą zamierzasz używać.

Dla krajów europejskich

⚠UWAGA:

- Pomiędzy kołnierzem wewnętrznym i zewnętrznym fabrycznie montowany jest pierścień o średnicy zewnętrznej 30 mm.

Oslonę dolną tarczy A ustaw w pierwotnym położeniu. Opuść uchwyt pilarki, aby upewnić się, że dolna osłona tarczy prawidłowo otwiera się i zamyka. Przed rozpoczęciem cięcia sprawdź, czy blokada wałka jest zwolniona.

Regulacja klina rozszczepiającego

Rys.23

Podczas popychania klina rozszczepiającego ku tarczy odstęp pomiędzy klinem rozszczepiającym a zębami tarczy musi wynosić około 4 - 5 mm. Wyreguluj klin rozszczepiający poprzez poluzowanie ręką nakrętki dociskowej w kierunku odwrotnym do ruchu wskazówek zegara, a następnie poprzez poluzowanie kluczem nasadkowym śruby sześciokątnej, również w kierunku odwrotnym do ruchu wskazówek zegara, po czym zmierz odległość. Po wyregulowaniu dokręć solidnie śrubę sześciokątą i nakrętkę zaciskową, obracając je w kierunku zgodnym z ruchem wskazówek zegara. Przed rozpoczęciem cięcia zawsze sprawdź, czy klin rozszczepiający i górna osłona tarczy działają prawidłowo.

Rys.24

Klin rozszczepiający został zamontowany fabrycznie przed wysyłką tak, aby znajdował się w linii prostej z tarczą po wykonaniu prostego ustawienia. Informacje na temat ustawienia znajdziesz w rozdziale "Zmiana pozycji klina rozszczepiającego".

Rys.25

⚠UWAGA:

- Jeżeli tarcza i klin rozszczepiający nie są prawidłowo wyrównane, podczas pracy może dojść do niebezpiecznego zakleszczenia. Upewnij się, że klin rozszczepiający znajduje się pomiędzy oboma końcami zewnętrznymi zębów tarczy, patrząc od góry. Jeżeli narzędzie używane jest bez odpowiednio wyrównanego klina rozszczepiającego, może dojść do poważnych obrażeń użytkownika. Jeżeli z jakiegokolwiek powodu nie są one wyrównane, zleć naprawę autoryzowanemu serwisowi firmy Makita.
- Podczas regulacji odległości pomiędzy klinem rozszczepiającym a zębami tarczy, zawsze odkręcaj śrubę sześciokątą dopiero po odkręceniu nakrętki zaciskowej.

Montaż i regulacja prowadnicy

Rys.26

1. Zamontuj prowadnicę na stole tak, aby jej uchwyt połączył się z relingiem prowadzącym. Dokręć śrubę zaciskową (B) prowadnicy, obracając ją w kierunku zgodnym z ruchem wskazówek zegara.
2. Poluzuj śrubę zaciskową (A).
3. Wsuń prowadnicę i zablokuj ją tak, aby jej koniec znajdujący się dalej od ciebie wyrównany był z punktem, przy którym przy górnej powierzchni obrabianego elementu pojawia się krawędź przednia tarczy. Celem tej regulacji jest zmniejszenie ryzyka odrzutu w przypadku zakleszczenia obrabianego elementu pomiędzy tarczą a prowadnicą i jego odrzucenia w kierunku operatora. Linia (A) różni się pod względem grubości obrabianego elementu lub poziomu stołu. Wyreguluj pozycję prowadnicy zgodnie z grubością obrabianego elementu. Po wyregulowaniu prowadnicy dokręć mocno śrubę dociskową (A).

Rys.27

UWAGA:

- Istnieją cztery wzory pozycjonowania prowadnicy, które pokazano na ilustracji. Prowadnica posiada na bokach dwie szczeliny - jedna z nich posiada podniesione obrzeże po tej samej stronie, druga zaś takowego nie posiada. Użyj powierzchni prowadnicy z obrzeżem skierowanym ku obrabianemu elementowi tylko wtedy, gdy odcinasz kawałek cienkiego elementu.

Rys.28

UWAGA:

- Aby zmienić wzór, zdejmij prowadnicę z uchwytu, odkręcając śrubę zaciskową (A) i zmieniając osłonę prowadnicy na uchwyt tak, aby prowadnica skierowana była ku uchwytowi stosownie do typu pracy tak, jak pokazano na ilustracji. Wsuń nakrętkę kwadratową w uchwyt obudowy, w tylny koniec którejkolwiek ze szczelin prowadnicy w taki sposób, jak pokazano na ilustracji.

Aby zmienić wzór A lub B na wzór C lub D lub odwrotnie, wyjmij nakrętkę kwadratową, podkładkę i śrubę zaciskową (A) z prowadnicy, następnie umieść śrubę zaciskową (A), podkładkę i nakrętkę kwadratową na odwrotnym kierunku uchwytu prowadnicy, niż miało to miejsce w pozycji oryginalnej. Dokręć mocno śrubę zaciskową (A) po wsunięciu nakrętki kwadratowej uchwytu prowadnicy w szczelinę. Wsuń nakrętkę kwadratową w uchwyt prowadnicy, w tylny koniec którejkolwiek ze szczelin prowadnicy tak, jak pokazano na ilustracji.

Rys.29

Prowadnica jest wyregulowana fabrycznie tak, aby była zawsze ustawiona równolegle względem powierzchni tarczy. Upewnij się, że jest ona ustawiona równolegle względem powierzchni tarczy. Aby mieć pewność, że prowadnica jest ustawiona równolegle względem tarczy, wyreguluj wysokość tarczy gałką regulującą głębokość cięcia tak, aby tarcza widoczna była z najwyższej pozycji stołu. Zaznacz jeden z zębów tarczy kredką świecową. Zmierz odległość (A) - (B) pomiędzy prowadnicą a tarczą. Wykonaj oba pomiary na podstawie zęba zaznaczonego kredką świecową. Te dwie pomiary powinny dać takie same wyniki. Jeżeli prowadnica nie jest ustawiona równolegle względem tarczy, wykonaj następujące czynności:

Rys.30

- (1) Przekręć dwie śruby regulujące w kierunku odwrotnym do ruchu wskazówek zegara.

Rys.31

Rys.32

- (2) Przesuń lekko krawędź przednią prowadnicy w prawo lub w lewo tak, aby była ustawiona równolegle względem tarczy.
- (3) Dokręć śrubę regulującą na prowadnicy.

⚠UWAGA:

- Upewnij się, że prowadnica jest ustawiona równolegle względem tarczy, w przeciwnym wypadku może dojść do niebezpiecznego odrzutu.
- Podczas regulacji prowadnicy upewnij się, że nie styka się ona z osłoną tarczy ani z tarczą.
- Nie przemieszczaj ani nie przenoś narzędzia, trzymając za prowadnicę.
- Podniesienie zainstalowanej prowadnicy lub użycie nadmiernej siły podczas chwywania ręką jej górnej części może ją uszkodzić i niekorzystnie wpłynąć na jej działanie.

Montaż i regulacja przymiaru do cięcia ukośnego

Rys.33

Zamontuj przymiar do cięcia ukośnego, wsuwając jego trzon w jeden z dwóch rowków stołu od jego przodu. Prowadnica przymiaru do cięcia ukośnego może być również jako prowadnica wzdłużnego - w zależności od wykonywanej pracy.

Worek na pył

Rys.34

Stosowanie worka na pył zapewni czyste cięcie i ułatwia zbieranie pyłu. Worek mocuje się na dyszy odpylania.

Kiedy worek zapełni się w przybliżeniu w połowie, zdejmij go z urządzenia i wyciągnij łącznik. Opróżnij worek i lekko go wytrzep, aby usunąć cząstki pyłu przylegające do powierzchni wewnętrznych, gdyż mogą pogarszać skuteczność odbierania pyłu.

Rys.35

Bardziej wydajną i czystą pracę można osiągnąć podłączając do pyłu odkurzacz.

Rys.36

Kolanko

Rys.37

⚠UWAGA:

- Ustaw otwór połączenia kolankowego w kierunku, z którego pył i wióry nie leczą na narzędzie i osoby znajdujące się w pobliżu.

Przy zmianie kierunku wylotu pyłu podłącz kolanko.

Mocowanie obrabianych elementów

⚠OSTRZEŻENIE:

- Jest rzeczą bardzo ważną, aby obrabiany element był zawsze właściwie zamocowany za pomocą zacisku. Niestosowanie się do tego zalecenia może spowodować uszkodzenie urządzenia i zniszczenie przecinanego przedmiotu. MOŻE RÓWNIEŻ BYĆ PRZYCZYNĄ OBRAŻEŃ CIAŁA. Ponadto, po zakończeniu cięcia NIE podnoś tarczy dopóki się całkowicie nie zatrzyma.

Zacisk pionowy

Rys.38

Zacisk pionowy można zamocować w dwóch położeniach z lewej lub prawej strony prowadnicy. Włóż drażek zacisku w otwór w prowadnicy i dokręć śrubę, aby go zablokować.

Ustawienie ramienia zacisku dostosuj do grubości i kształtu obrabianego elementu i zablokuj je w tym położeniu dokręcając śrubę zaciskową. Jeżeli śruba mocująca ramię zacisku dotyka prowadnicy, wkręć ją z drugiej strony ramienia. Upewnij się, że żadna część narzędzia nie styka się z zaciskiem podczas opuszczania do oporu uchwytu pilarki. Jeżeli jakaś część dotyka zacisku, zmień ustawienie ramienia zacisku.

Dociśnij płasko obrabiany element do prowadnicy i podstawy obrotowej. Ustaw element w wybranej pozycji do cięcia i unieruchom go, dokręcając mocno śrubę zacisku.

⚠UWAGA:

- Obrabiany element musi być solidnie zablokowany przy podstawie obrotowej i prowadnicy.

Ustawianie narzędzia w trybie piły stołowej

⚠UWAGA:

- Przed użyciem narzędzia w trybie piły stołowej upewnij się, że podstawa obrotowa została ustawiona w pozycji 0° i zablokowana śrubą zaciskową na prowadnicy.
- Przed użyciem narzędzia w trybie piły stołowej upewnij się, że jego głowica została zablokowana dźwignią.

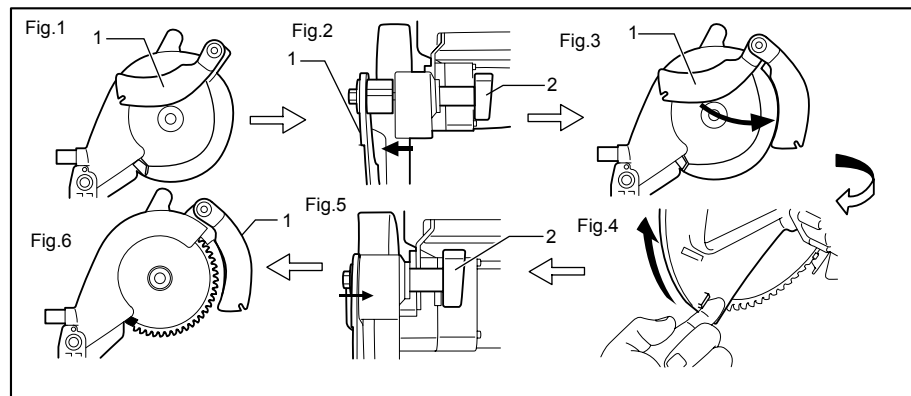
- Przed użyciem narzędzia w trybie piły grzbietnicowej upewnij się, że klin rozszczepiający został zablokowany w odpowiedniej pozycji.
- Przed użyciem narzędzia w trybie piły stołowej zdejmij dolną osłonę tarczy C.
- W trybie piły stołowej zwolnij ogranicznik dolny.

Narzędzie jest wysyłane z fabryki ustawione na tryb piły grzbietnicowej. Przed użyciem narzędzia w trybie piły stołowej ustawienie w następujący sposób.

1. Blokowanie podstawy obrotowej

Rys.39

Aby zabezpieczyć podstawę ruchomą, dokręć mocno śrubę zaciskową na prowadnicy pod kątem 0°.



1. Klin rozszczepiający
2. Nakrętka zaciskowa

006068

Pozycję (rys.1) można zmienić w następujący sposób.

- (1) Poluzuj nakrętkę zaciskową (rys. 2).
- (2) Pociągnij i obróć klin rozszczepiający do pozycji pod kątem 90° w kierunku wskazywanym przez strzałkę (rys. 3). Popchnij go lekko, aby zablokował się w tej pozycji.
- (3) Podnieś ręką osłonę dolną tarczy A, równocześnie przesuwając w lewo dźwignię obok uchwytu i zwolnij tę dźwignię (rys. 4).
- (4) Popchnij klin rozszczepiający w kierunku wskazywanym przez strzałkę (rys. 5) tak, aby był wyrównany z tarczą.
- (5) Po popchnięciu klina rozszczepiającego w kierunku wskazywanym przez strzałkę tak, jak pokazano na ilustracji, zwolnij osłonę dolną tarczy A.
- (6) Po wyrównaniu klina rozszczepiającego dokręć solidnie nakrętkę zaciskową (patrz rys. 6).

2. Blokowanie głowicy narzędzia

Rys.40

Zablokuj głowicę narzędzia poprzez przykręcenie dźwigni w kierunku pokazywanym przez strzałkę na ilustracji.

3. Zwalnianie ogranicznika dolnego

Rys.41

Upewnij się, że końcówka ogranicznika dolnego znajduje się w pozycji A na ilustracji. Jeżeli znajduje się on w pozycji B, obróć końcówkę ogranicznika dolnego w kierunku odwrotnym do ruchu wskazówek zegara do pozycji A.

4. Zmiana pozycji klina rozszczepiającego

5. Zdejmowanie osłony dolnej tarczy C

Rys.42

Zdejmij osłonę dolną tarczy C ze stołu, odkręcając w tym celu śrubę zaciskową.

6. Zablokuj głowicę narzędzia w całkowicie obniżonej pozycji.

Rys.43

Rys.44

Po ustawieniu klina rozszczepiającego w pozycji odpowiedniej dla trybu piły stołowej, pociągnij ogranicznik w kierunku wskazywanym przez strzałkę A i obróć go o 90° w kierunku wskazywanym przez strzałkę B. Następnie obniż uchwyt, aby zablokować głowicę narzędzia.

⚠UWAGA:

- Jeżeli głowica narzędzia nie może być zablokowana, obróć kilka razy gałkę regulującą głębokość w kierunku zgodnym z ruchem wskazówek zegara.
- Przed obroceniem narzędzia zawsze się upewnij, że kołek oporowy zablokował głowicę narzędzia w najniższej pozycji.

7. Obrócenie narzędzia

⚠OSTRZEŻENIE:

- Przed obroceniem narzędzia upewnij się, że jest ono wyłączone i odcięte od zasilania.
- Popychając dźwignię do dołu, pamiętaj, że twoja dłoń/palec musi się znajdować z dala od strefy mocowania stołu na dźwigni.

Rys.45

Trzymaj środkową krawędź stołu jedną ręką, drugą dźwignią wciśnij dźwignię, a podczas gdy trzymasz mocno krawędź stołu, obróć go ostrożnie. Trzymaj go, dopóki się nie zablokuje.

8. Montaż osłony górnej tarczy

Rys.46

Wciśnij przycisk osłony górnej tarczy do jej powierzchni bocznej, wsuń ją w nacięcie na klinie rozszczepiającym, gdy przycisk jest wciśnięty, po czym zwolnij przycisk.

Po zwolnieniu przycisku upewnij się, że osłona górna tarczy jest zablokowana, próbując ją wyciągnąć.

⚠UWAGA:

- Po zainstalowaniu osłony górnej tarczy upewnij się, że działa ona sprawnie.

Ustawianie narzędzia w trybie piły grzbietnicowej

⚠OSTRZEŻENIE:

- Przed użyciem narzędzia w trybie piły grzbietnicowej upewnij się, że została zainstalowana osłona dolna tarczy C.

Aby zmienić ustawienie z trybu piły stołowej na tryb piły grzbietnicowej, wykonaj czynności odwrotnie, niż opisano w rozdziale "Ustawianie narzędzia w trybie piły stołowej".

1. Demontaż osłony górnej tarczy

Wciśnij przycisk osłony górnej tarczy do jej powierzchni bocznej, a następnie wyjmij osłonę górną od góry, gdy przycisk jest wciśnięty.

2. Montaż osłony dolnej tarczy C

Umieść osłonę dolną tarczy C na stole tak, aby wpasowała się w otwór w stole i dokręć solidnie śrubę zaciskową.

3. Obrócenie narzędzia

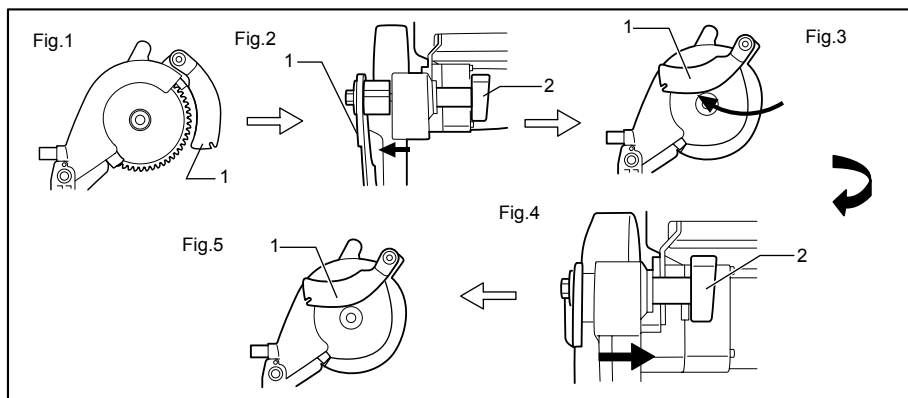
Zajrzyj do punktu tym samym tytule w rozdziale "Ustawianie narzędzia w trybie piły stołowej".

4. Zwalnianie głowicy narzędzia z całkowicie obniżonej pozycji

Rys.47

Trzymając uchwyt, pociągnij ogranicznik w kierunku wskazywanym przez strzałkę A, obróć go o 90° w kierunku wskazywanym przez strzałkę B z wyciągniętym kołkiem, po czym powoli podnieś uchwyt.

5. Zmiana pozycji klina rozszczepiającego



1. Klin rozszczepiający

2. Nakrętka zaciskowa

006075

Pozycję klina rozszczepiającego (rys.1) można zmienić w następujący sposób.

- (1) Odkręć nakrętkę zaciskową i trzymaj ręką osłonę dolną tarczy A (rys.2).
- (2) Podczas gdy jedną ręką trzymasz osłonę dolną tarczy A, wyciąg klin rozszczepiający i

obróć go do pozycji wskazywanej przez strzałkę (rys. 3).

- (3) Trzymając klin rozszczepiający w tej pozycji, przywróć osłonę dolną tarczy A do jej pierwotnej pozycji i dokręć mocno nakrętkę zaciskową (rys. 4, 5).

6. Montaż lub demontaż prowadnic P i L

Rys.48

⚠UWAGA:

- Podczas cięcia elementów o grubości ponad 20 mm upewnij się, że prowadnice P i L są prawidłowo zamocowane śrubą. Zaleca się zdjęcie prowadnic P i L w przypadku cięcia szerokich i cienkich elementów. Podczas cięcia elementów o grubości do 20 mm i szerokości powyżej 180 mm należy zdjąć prowadnice P i L, odkręcając śrubę w taki sposób, jak pokazano na ilustracji. Podczas cięcia elementów o grubości ponad 20 mm zainstaluj prowadnice P i L i zablokuj je śrubą. Zapoznaj się z poniższą tabelą, aby poznać zależność pomiędzy rozmiarami obrabianego elementu a stosowaniem/niestosowaniem prowadnic P i L.

Rys.49

	Wymiary przycinanego elementu (W x S)	stosowanie/niestosowanie prowadnic
1	68 mm x 155 mm	z prowadnicami
2	20 mm x 210 mm	bez prowadnic

006577

DZIAŁANIE

⚠UWAGA:

- Przed przystąpieniem do pracy konieczne zwołnij uchwyt pilarki z dolnej pozycji, wyciągając kołek oporowy i obracając go pod kątem 90°.
- Przed włączeniem urządzenia upewnij się, że tarcza nie dotyka obrabianego elementu.

Cięcie w trybie piły grzbietnicowej

⚠OSTRZEŻENIE:

- Przed uruchomieniem narzędzia w trybie piły grzbietnicowej upewnij się, że dolne osłony tarczy C jest zamontowana.

⚠UWAGA:

- Podczas cięcia nie wywieraj nadmiernego nacisku na uchwyt. Zbyt duża siła może spowodować przeciążenie silnika i zmniejszenie wydajności cięcia. Dociskaj uchwyt tylko z taką siłą, jaka jest potrzebna do równego cięcia bez znaczącego obniżenia prędkości obrotowej tarczy.
- Aby wykonać cięcie, delikatnie dociśnij do dołu uchwyt pilarki. Jeżeli uchwyt zostanie zbyt mocno dociśnięty do dołu lub wywarta zostanie siła poprzeczna, tarcza zacznie drgać, pozostawiając znak (nacięcie) na obrabianym elemencie i pogorszy się dokładność cięcia.

1. Cięcie proste

Rys.50

Zablokuj obrabiany element przy prowadnicy i podstawie obrotowej. Włącz pilarkę i, zanim opuścisz ją, odczekaj aż tarcza osiągnie swoją

maksymalną prędkość obrotową. Następnie powoli opuszczaj uchwyt pilarki do skrajnego dolnego położenia, aby rozpocząć cięcie elementu. Po zakończeniu cięcia wyłącz urządzenie i ZACZEKAJ, AŻ TARCZA CAŁKOWICIE SIĘ ZATRZYMA i dopiero wówczas unieś tarczę całkowicie do góry.

2. Cięcie pod kątem w poziomie

Zapoznaj się z wcześniejszymi objaśnieniami w punkcie zatytułowanym "Regulacja kąta cięcia w poziomie".

3. Cięcie pod kątem w pionie

Rys.51

Poluzuj dźwignię i przechyl tarczę pilarki, aby ustawić wybrany kąt cięcia (Zapoznaj się z wcześniejszymi objaśnieniami w punkcie zatytułowanym „Regulacja kąta cięcia w pionie”). Koniecznie dokręć ponownie dźwignię, aby zablokować ustawienie wybranego kąta skosu. Zablokuj obrabiany element przy prowadnicy i podstawie obrotowej. Włącz pilarkę i zanim opuścisz ją, odczekaj, aż tarcza osiągnie swoją maksymalną prędkość obrotową. Następnie powoli obniż uchwyt do najniższego położenia, wywierając nacisk równoległy do tarczy. Po zakończeniu cięcia wyłącz urządzenie i ZACZEKAJ, AŻ TARCZA CAŁKOWICIE SIĘ ZATRZYMA i dopiero wówczas unieś tarczę całkowicie do góry.

⚠UWAGA:

- Zawsze upewnij się, że tarcza obniży się do odpowiedniej pozycji w przypadku cięcia skośnego w pionie. Nie zbliżaj ręk do obracającej się tarczy.
- Podczas cięcia skośnego może zdarzyć się, że odcięty kawałek materiału będzie opierał się o boczną powierzchnię tarczy. Jeżeli tarcza zostanie uniesiona, gdy jeszcze się obraca, wówczas odcięty kawałek może zostać pochwycony i wyrzucony w powietrze, stanowiąc zagrożenie dla znajdujących się w pobliżu osób. Tarczę można unieść w górę DOPIERO po jej całkowitym zatrzymaniu.
- Dociskając uchwyt pilarki do dołu należy wywierać nacisk równoległy do tarczy. Jeżeli nacisk nie będzie równoległy do tarczy w czasie cięcia, kąt cięcia może ulec zmianie i pogorszy się jego dokładność cięcia.

4. Cięcie złożone

Cięcie złożone polega na równoczesnym cięciu elementu pod kątem w pionie i w poziomie. Cięcia złożone można wykonywać dla kątów pokazanych w poniższej tabeli.

Kąt cięcia w pionie	Kąt cięcia w poziomie
45°	0° - 45° w lewo i w prawo

006366

Przed przystąpieniem do wykonywania cięcia złożonego zapoznaj się z punktami "Cięcie proste", "Cięcie pod kątem w poziomie" i "Cięcie pod kątem w pionie".

5. Cięcie profili aluminiowych

Rys.52

Do mocowania profili aluminiowych używaj klocków rozporowych lub kawałków odpadów tak, jak pokazano na rysunku, aby zapobiec deformacji aluminium. Podczas cięcia aluminium stosuj smar do cięcia, aby zapobiec gromadzeniu się opiłków aluminium na powierzchni tarczy.

⚠️ UWAGA:

- Nigdy nie próbuj ciąć grubych lub zaokrąglonych profili aluminiowych. Grube profile mogą poluzować się w trakcie cięcia, a zaokrąglonych nie można w sposób pewny zamocować w zacisku.
- Nigdy nie tnij aluminium w trybie piły stołowej.

Cięcie w trybie piły stołowej

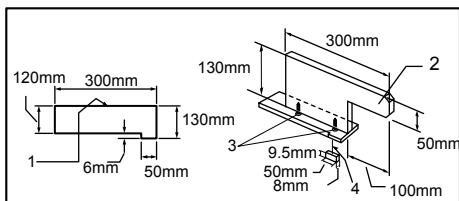
⚠️ UWAGA:

- Podczas wykonywania prac, przy których dłonie lub palce znajdują się blisko tarczy, zawsze używaj "pomocników" takich jak popychacze czy klocki dociskowe.
- Trzymaj mocno obrabiany kawałek, dociskając go do stołu i prowadnicy. Nie skręcaj i nie wyginaj go podczas przesuwu. W przeciwnym wypadku może dojść do niebezpiecznego odrzutu.
- NIGDY nie wycofuj obrabianego elementu, gdy tarcza obraca się. Jeżeli musisz wycofać element przed zakończeniem cięcia, najpierw wyłącz narzędzie, trzymając mocno obrabiany element. Odczekaj, aż obroty tarczy całkowicie się zatrzymają i dopiero wtedy wycofaj element. Niestosowanie się do tej zasady może spowodować niebezpieczny odrzut.
- NIGDY nie usuwaj odciętego materiału, gdy tarcza obraca się.
- NIGDY nie trzymaj palców lub dłoni na linii tarczy.
- Zawsze pamiętaj o solidnym zamocowaniu prowadnicy wzdłużnej, w przeciwnym wypadku może dojść do niebezpiecznego odrzutu.
- Podczas przecinania małych lub wąskich elementów lub gdy głowica wpustu jest niewidoczna podczas pracy, zawsze używaj "pomocników" takich jak popychacze czy klocki dociskowe.

Elementy pomocnicze

Popychacze, klocki dociskowe lub prowadnica pomocnicza są przydatnymi "pomocnikami" podczas pracy. Używaj ich, aby w bezpieczny sposób wykonać pracę bez konieczności kontaktu jakiegokolwiek części ciała z tarczą.

Kłoczek dociskowy



1. Równoległe do powierzchni czołowej/krawędzi
2. Rękojeść
3. Wkręt do drewna
4. Poprowadź razem

006080

Użyj sklejki o grubości 19 mm.

Uchwyt powinien się znajdować na środku kawałka sklejki. Przymocuj go klejem i wkrętami do drewna tak, jak pokazano na ilustracji. Małe kawałki drewna o wymiarach 9,5 mm x 8 mm x 50 mm muszą być zawsze przyklejane do sklejki, aby chronić ostrze przed stępieniem w przypadku pomyłkowego wprowadzenia klocka dociskowego. (Do klocka dociskowego nie wolno wbijać gwoździ.)

Prowadnica pomocnicza

Rys.53

Wykonaj prowadnicę pomocniczą z kawałków sklejki o grubości 9,5 mm i 19 mm.

Cięcie wzdłużne

⚠️ UWAGA:

- Podczas cięcia wzdłużnego na stole nie może się znajdować przymiar do cięcia ukośnego.
 - Podczas cięcia długich lub szerokich elementów pamiętaj zawsze o ich odpowiednim podparciu za stołem. NIE dopuszczaj, aby długa deska poruszała się lub przesuwiała po stole. Mogłoby to spowodować zakleszczenie się tarczy, odrzut i obrażenia. Podparcie powinno się znajdować na tej samej wysokości, co stół.
1. Wyreguluj głębokość cięcia tak, aby była nieco wyższa, niż grubość przecinanego elementu. W tym celu zwróć uwagę na rozdział pt."Regulacja głębokości cięcia".
 2. Ustaw prowadnicę na żądanej szerokości cięcia i zablokuj ją poprzez dokręcenie śruby zaciskowej (A). Przed przystąpieniem do cięcia wzdłużnego upewnij się, że uchwyt prowadnicy jest solidnie zamocowany przy pomocy dwóch śrub. Jeżeli tak nie jest, dokręć śruby.
 3. Włącz narzędzie i delikatnie wsuń obrabiany element do tarczy wraz z prowadnicą.
 - (1) Jeżeli szerokość cięcia wynosi 150 mm lub więcej, przesuwaj ostrożnie element jedną ręką. Druga ręka powinna wtedy przytrzymywać element w prawidłowej pozycji na prowadnicy.

Rys.54

- (2) Jeżeli szerokość cięcia wynosi 65 mm - 150 mm, przesuwaj element przy pomocy popychacza.

Rys.55

- (3) W przypadku szerokości cięcia poniżej 65 mm nie należy używać popychacza, ponieważ uderzałby on w tarczę. Należy wtedy używać prowadnicy pomocniczej i klocka dociskowego.

Przymocuj prowadnicę pomocniczą do prowadnicy wzdłużnej przy pomocy dwóch zacisków "C".

Rys.56

Przesuwaj cięty element ręką, dopóki zza krawędzi stołu nie będzie wystawać około 25 mm. Od tego momentu kontynuuj pracę przesuwając element przy pomocy klocka dociskowego u góry prowadnicy pomocniczej.

Rys.57

Cięcie poprzeczne

⚠️ UWAGA:

- Podczas wykonywania cięcia poprzecznego na stole nie może się znajdować prowadnica wzdłużna.
- Podczas cięcia długich lub szerokich elementów pamiętaj zawsze o ich odpowiednim podparciu za stołem. Podparcie powinno się znajdować na tej samej wysokości, co stół.
- Zawsze trzymaj dłoń z dala od linii tarczy.

Przymiar do cięcia ukośnego

Przymiar do cięcia skośnego może być używany do 4 typów cięcia pokazanych na ilustracji.

Rys.58

⚠️ UWAGA:

- Zablokuj przymiar do cięcia skośnego, przekręcając ostrożnie gałkę.
- Unikaj ślizgania elementu i przymiaru, trzymając go stabilnie zwłaszcza podczas cięcia pod kątem.
- NIGDY nie trzymaj ani nie chwytaj części elementu, która ma być "odcięta".

Zastosowanie przymiaru do cięcia ukośnego

Rys.59

Wsuń przymiar do cięcia ukośnego w grube rowki na stole. Odkręć gałkę na przymiarze i wyrównaj go pod żądanym kątem (0° do 60°). Pamiętaj o wyrównaniu przymiaru względem prowadnicy i delikatnie przesuwaj element do przodu ku tarczy.

Dodatkowa osłona drewniana (przymiar do cięcia ukośnego)

Rys.60

Aby uniknąć bicia wzdłużnego deski, dopasuj prawidłowo przymiar do cięcia ukośnego do prowadnicy pomocniczej. Po wywierceniu otworów przykręć śruby/nakrętki, jednak nie mogą one wystawać z powierzchni czołowej.

Przenoszenie narzędzia

Rys.61

Najpierw upewnij się, że urządzenie jest odłączone od zasilania. Jeżeli narzędzie jest używane tylko w trybie piły grzbietnicowej, zablokuj tarczę pod kątem 0° w pionie i obróć stół pod kątem 0° w poziomie. Obniż do oporu uchwyt pilarki i zablokuj go w tej pozycji wciskając kolek oporowy.

Narzędzie należy nosić trzymając je za część pokazaną na rysunku.

Rys.62

⚠️ UWAGA:

- Przed przenoszeniem narzędzia należy zablokować wszystkie ruchome elementy.
- Przed przenoszeniem narzędzia należy je zawsze ustawić na tryb piły grzbietnicowej.
- Upewnij się, że na narzędziu zamontowana jest osłona dolna tarczy C.

KONSERWACJA

⚠️ UWAGA:

- Przed wykonywaniem kontroli i konserwacji należy się zawsze upewnić, czy elektronarzędzie jest wyłączone i nie podłączone do sieci.

⚠️ OSTRZEŻENIE:

- Tylko ostra i czysta tarcza zapewnia najlepszą wydajność i gwarantuje bezpieczną pracę.

Regulacja kąta cięcia

W fabryce została przeprowadzona dokładna regulacja i kalibracja urządzenia, ale niedelikatne obchodzenie się z nim może naruszyć kalibrację. Jeżeli urządzenie nie jest właściwie wykalibrowane, wykonaj następujące czynności:

1. Kąt cięcia w poziomie

Rys.63

Śruby regulujące kąt poziomy 0° ulokowane są w czterech pozycjach.

Odkręć cztery śruby regulujące kąt 0° w poziomie, przekręcając je spod stołu w kierunku odwrotnym do ruchu wskazówek zegara.

Obniż uchwyt do oporu i zablokuj go w pozycji obniżonej, pociągając i obracając kolek oporowy o 90° w kierunku zgodnym z ruchem wskazówek zegara. Ustaw powierzchnię boczną tarczy czołowo do prowadnicy z pomocą np. ekerki, a następnie silnie dokręć cztery śruby regulujące

na ramieniu spod spodu stołu. Upewnij się, że wskaźnik na podziałce wskazuje 0°. Jeżeli tak nie jest, wyreguluj pozycję wskaźnika poprzez odkręcenie blokującej go śruby. Po zakończeniu regulacji dokręć mocno śrubę.

Rys.64

2. Kąt cięcia w pionie

Rys.65

- (1) Kąt pionowy 0°
Obniż uchwyt do oporu i zablokuj go w pozycji obniżonej, pociągając i obracając kołek oporowy o 90° w kierunku zgodnym z ruchem wskazówek zegara. Poluzuj dźwignię z tyłu urządzenia.
Aby przechylić tarczę w prawą stronę, przekręć śrubę regulującą kąt pionowy 0° w prawo od ramienia i wykonaj dwa lub trzy obroty w kierunku przeciwnym do ruchu wskazówek zegara.
Ustaw powierzchnię boczną tarczy prostopadle do powierzchni górnej podstawy obrotowej, używając np. ekierki i obracając śrubę regulacyjną kąta 0° w kierunku zgodnym z ruchem wskazówek zegara.

Rys.66

Upewnij się, czy wskaźnik na podstawie obrotowej pokazuje 0° na podziałce kąta cięcia w pionie na ramieniu. Jeżeli nie wskazuje on 0°, poluzuj śrubę, która mocuje wskaźnik i wyrównaj go ze znacznikiem kąta 0°.

Rys.67

- (2) Kąt pionowy 45°
Kąt cięcia 45° należy regulować dopiero po wykalibrowaniu kąta cięcia w pionie 0°. Aby wykalibrować kąt cięcia 45°, poluzuj dźwignię i przechyl tarczę do oporu w lewo. Upewnij się, że wskaźnik na ramieniu pokazuje 45° na podziałce kąta cięcia w pionie na ramieniu uchwytu. Jeżeli wskaźnik nie pokazuje kąta 45°, obracaj śrubą regulacyjną kąta 45° spod stołu, aż wskaźnik po lewej stronie ramienia wyrówna się ze znacznikiem kąta 45°.

Wymiana szczotek węglowych

Rys.68

Systematycznie wyjmować i sprawdzać szczotki węglowe. Wymieniać je, gdy ich zużycie sięga znaku granicznego. Szczotki powinny być czyste i łatwo wchodzić w uchwyty. Należy wymieniać obydwie szczotki jednocześnie. Stosować wyłącznie identyczne szczotki węglowe.

Do wyjęcia pokrywek uchwytów szczotek używać śrubokrętu. Wyjąć zużyte szczotki węglowe, włożyć nowe i zabezpieczyć pokrywkami uchwytów szczotek.

Rys.69

Po zakończeniu pracy

- Po zakończeniu pracy wytrzyj ściereczką narzędzie z przylegających do niego wiórów i pyłu, aby zachowało maksymalną sprawność i niezawodność przez długie lata. Osłonę tarczy należy utrzymywać w czystości zgodnie ze wskazówkami zawartymi w części zatytułowanej "Osłona tarczy". Elementy ruchome narzędzia należy zabezpieczać przed korozją smarem.

Dla zachowania BEZPIECZEŃSTWA i NIEZAWODNOŚCI wyrobu, naprawy oraz inne prace konserwacyjne i regulacyjne powinny być wykonywane przez Autoryzowane Centra Serwisowe Makita, wyłącznie przy użyciu części zamiennych Makita.

AKCESORIA (WYPOSAŻENIE DODATKOWE)

⚠ UWAGA:

- Zaleca się stosowanie wymienionych akcesoriów i dodatków razem z elektronarzędziem Makita opisanym w niniejszej instrukcji. Stosowanie jakichkolwiek innych akcesoriów i dodatków może stanowić ryzyko uszkodzenia ciała. Stosować akcesoria i dodatki w celach wyłącznie zgodnych z ich przeznaczeniem.

W razie potrzeby, wszelkiej pomocy i szczegółowych informacji na temat niniejszych akcesoriów udzieli Państwu lokalne Centra Serwisowe Makita.

- Tarcza stalowa z ostrzami z węglików
- Zacisk pionowy
- Klucz nasadowy 13-3
- Worek na pył
- Ekierka
- Osłona przeciwpylowa (Osłona dolna tarczy C)
- Popychacz
- Prowadnica wzdłużna
- Przymiar do cięcia ukośnego
- Płyty mocujące (3 sztuki)
- Śruby sześciokątne (3 sztuki)
- Kolanko
- Osłona górna tarczy

ROMÂNĂ

Explicitarea vederii de ansamblu

- 1-1. Bolț de reglare
- 1-2. Picior
- 2-1. Placă de fixare
- 2-2. Bolț inbus
- 3-1. Caneluri în U
- 4-1. Apărătoarea inferioară a pânzei A
- 4-2. Apărătoarea inferioară a pânzei B
- 5-1. Apărătoarea inferioară a pânzei A (folosită numai în modul ferăstrău pentru tăieri oblice)
- 6-1. Apăsăți butonul
- 6-2. Pană de despicat
- 6-3. Apărătoarea superioară a pânzei (folosită în modul ferăstrău circular cu masă)
- 7-1. Suprafața superioară a tălpii rotative
- 7-2. Conturul pânzei
- 7-3. Opritor de ghidare
- 8-1. Opritor limită inferioară
- 8-2. Bolț de reglare
- 8-3. Piuliță
- 9-1. Șurub
- 9-2. Opritor de ghidare
- 10-1. Mâner
- 10-2. Masă rotativă
- 11-1. Pârghie
- 12-1. Mâner
- 13-1. Pârghie
- 13-2. Buton de reglare a adâncimii de tăiere
- 14-1. Comutare în modul ferăstrău pentru tăieri oblice
- 14-2. Comutare în modul ferăstrău circular cu masă
- 14-3. Buton de deblocare
- 14-4. Trăgaciul întrerupătorului
- 14-5. Mâner
- 14-6. Pârghie
- 14-7. Buton de pornire
- 14-8. Buton de oprire
- 15-1. Buton de reglare a adâncimii de tăiere
- 16-1. Știft opritor
- 17-1. Cheie tubulară
- 17-2. Suport de cheie
- 18-1. Cheie tubulară
- 18-2. Pârghie de blocare a axului
- 18-3. Bolț inbus
- 19-1. Pârghie
- 19-2. Pârghie ridicătoare
- 20-1. Pânză de ferăstrău
- 20-2. Apărătoarea pânzei B
- 21-1. Carcasa pânzei
- 21-2. Săgeată
- 21-3. Pânză de ferăstrău
- 21-4. Săgeată
- 22-1. Bolț inbus
- 22-2. Flanșă exterioară
- 22-3. Pânză de ferăstrău
- 22-4. Flanșă interioară
- 22-5. Arbore
- 22-6. Inel
- 23-1. Piuliță de strângere
- 23-2. Bolț inbus
- 23-3. Pană de despicat
- 24-1. Pană de despicat
- 24-2. Pânză de ferăstrău
- 25-1. Lățimea pânzei
- 25-2. Pană de despicat
- 25-3. Bolț inbus
- 26-1. Suportul riglei de ghidare
- 26-2. Șină de ghidare
- 26-3. Șurub de strângere (A)
- 26-4. Șurub de strângere (B)
- 26-5. Riglă de ghidare
- 27-1. Riglă de ghidare
- 27-2. Suportul riglei de ghidare
- 27-3. Linie de referință pentru aliniere
- 27-4. Pânză de ferăstrău
- 27-5. Masă superioară
- 27-6. Piesă de prelucrat
- 28-1. Riglă de ghidare
- 28-2. Suportul riglei de ghidare
- 28-3. Pânză de ferăstrău
- 29-1. Riglă de ghidare
- 29-2. Suportul riglei de ghidare
- 29-3. Piuliță pătrată
- 29-4. Șurub de strângere (A)
- 29-5. Șurub de strângere (B)
- 30-1. Scală
- 31-1. Riglă de ghidare
- 31-2. Suportul riglei de ghidare
- 31-3. Șurub de reglare
- 32-1. Riglă de ghidare
- 32-2. Pânză de ferăstrău
- 32-3. Apărătoarea superioară a pânzei
- 33-1. Calibru opritor pentru tăieri oblice
- 33-2. Calibru pentru tăieri oblice
- 33-3. Caneluri
- 34-1. Duză de praf
- 34-2. Sac de praf
- 35-1. Sac de praf
- 35-2. Închizătoare
- 37-1. Duză de praf
- 37-2. Cot
- 38-1. Brațul menghinei
- 38-2. Tija menghinei
- 38-3. Opritor de ghidare
- 38-4. Butonul rotativ al menghinei
- 38-5. Șurub
- 39-1. Șurub
- 39-2. Opritor de ghidare
- 40-1. Pârghie
- 41-1. Opritor limită inferioară
- 41-2. Bolț de reglare
- 42-1. Șurub
- 43-1. Știft opritor
- 44-1. Capul ferăstrăului blocat în poziție complet coborâtă
- 45-1. Pârghie
- 45-2. Zona pârghiei pentru amplasarea mâinii/degetului
- 45-3. Piese de agățare
- 46-1. Apăsăți butonul
- 46-2. Pană de despicat
- 46-3. Apărătoarea superioară a pânzei (folosită în modul ferăstrău circular cu masă)
- 47-1. Știft opritor
- 48-1. Opritor de ghidare
- 48-2. Opritor auxiliar dreapta
- 48-3. Opritor auxiliar stânga
- 48-4. Știft
- 48-5. Șurub
- 49-1. Când opritorul auxiliar este demontat
- 49-2. Când opritorul auxiliar este instalat
- 50-1. Menghină (accesoriu opțional)
- 51-1. Menghină (accesoriu opțional)
- 52-1. Menghină
- 52-2. Bloc distanțier
- 52-3. Opritor de ghidare
- 52-4. Piesă extrudată din aluminiu
- 52-5. Bloc distanțier
- 53-1. Față/margine paralelă
- 53-1. Baghetă împingătoare
- 56-1. Opritor auxiliar
- 57-1. Bloc împingător
- 57-2. Opritor auxiliar
- 58-1. Retezare
- 58-2. Tăiere oblică
- 58-3. Tăiere înclinată
- 58-4. Tăiere oblică combinată (unghiuri)
- 59-1. Canelură
- 59-2. Calibru pentru tăieri oblice
- 59-3. Buton rotativ
- 61-1. Știft opritor
- 62-1. Porțiunea mașinii care trebuie apucată la transport
- 64-1. Echer

64-2. Pânză de ferăstrău
 64-3. Opritor de ghidare
 65-1. Șurub de reglare la 0°
 65-2. Șurub de reglare a înclinației la 45°

66-2. Pânză de ferăstrău
 66-3. Suprafața superioară a tălpii rotative
 67-1. Braț
 67-2. Scală pentru înclinație

67-4. Talpă rotativă
 68-1. Marcaj limită
 69-1. Capacul suportului pentru perii
 69-2. Șurubelniță

66-1. Echer

67-3. Indicator

SPECIFICAȚII

Model LF 1000
 Diametrul pânzei de ferăstrău 260 mm
 Diametrul găurii
 Pentru țările europene 30 mm
 Capacitate maximă de tăiere (H x l) cu pânză de 260 mm diametru în modul ferăstrău pentru tăieri oblice

Unghi de înclinație	Unghi de tăiere oblică	
	0°	
0°	20 mm x 210 mm	68 mm x 155 mm
	45° (stânga)	
45° (stânga)	50 mm x 150 mm	

Capacitate maximă de tăiere la 90° în modul ferăstrău circular cu masă (de banc) 70 mm
 Turația în gol (min⁻¹) 2.700
 Dimensiunea mesei (l x L) 500 mm x 555 mm
 Dimensiuni (L x l x H1 (nota 1) / H2 (nota 2)) în modul ferăstrău pentru tăieri oblice 660 mm x 650 mm x 1.220 mm / 800 mm
 în modul ferăstrău circular cu masă 660 mm x 650 mm x 1.060 mm / 845 mm
 Greutate netă 32 kg
 Clasa de siguranță II

Nota 1 H1: Înălțimea până la capul mașinii

Nota 2 H2: Înălțimea până la masă

- Datorită programului nostru continuu de cercetare și dezvoltare, caracteristicile pot fi modificate fără o notificare prealabilă.
- Notă: Specificațiile pot varia în funcție de țară.

END213-4

Simboluri

Mai jos sunt prezentate simbolurile de pe echipament. Asigurați-vă că înțelegeți sensul acestora înainte de utilizare.



- Citiți manualul de instrucțiuni.



- IZOLAȚIE DUBLĂ



- Pentru a evita vătămările provocate de resturile împrăștiate, mențineți capul ferăstrăului coborât după executarea tăierii până când pânza se oprește complet.



- Nu duceți mâinile sau degetele în apropierea pânzei.



- Pentru siguranța dumneavoastră îndepărtați așchiile, resturile de material etc. de pe suprafața mesei înainte de executarea lucrării.



- Deconectați mașina înainte de a o răsturna în jurul axei.



- Poziționați mâinile corect în timpul transportului.



- Nu ridicați capătul superior al riglei de ghidare în timpul montării sau demontării.



- Doar pentru țările din UE
 Nu eliminați echipamentele electrice la fel ca reziduurile menajere !
 Conform cu Directiva Europeană 2002/96/EC privitoare la echipamente electrice și electronice scoase din uz și conform cu legile naționale, echipamentele electrice care au ajuns la finalul duratei de viață trebuie să fie

strânse separat și trebuie să fie transmise la o unitate de reciclare.

ENE061-1

Destinația de utilizare

Mașina este destinată tăierii precise drepte și oblice în lemn. Mașina poate fi utilizată în modulele ferăstrău pentru tăieri oblice și ferăstrău circular cu masă prin răsturnarea mesei în jurul axei sale.

ENF002-1

Sursă de alimentare

Mașina se va alimenta de la o sursă de curent alternativ monofazat, cu tensiunea egală cu cea indicată pe plăcuța de identificare a mașinii. Având dublă izolație, conform cu Standardele Europene, se poate conecta la o priză de curent fără contacte de împământare.

ENG037-1

Doar pentru țările europene

Zgomot și vibrații

Puterea acustică la funcționarea în gol este de Presiunea sonoră este de 92 dB (A) iar nivelul de zgomot este de: 105 dB (A)

Purtați antifonoane.

Accelerația pătratică medie ponderată în condiții normale este de maxim $2,5 \text{ m/s}^2$.

Aceste valori au fost obținute conform standardului EN61029.

ENH015-4

Model; LF1000

CE-DECLARAȚIE DE CONFORMITATE

Declarăm pe propria răspundere că acest produs este în conformitate cu următoarele standarde și reglementări; EN61029, EN55014, EN61000 în conformitate cu directivele consiliului european 89/336/CEE, 98/37/CE. Certificatul de conformitate al fișei tehnice conform directivei 98/37/CE a fost obținut de la următorul organism notificat:

Intertek SEMKO AB, Torshamnsgatan 43, Box 1103, SE-164 22 Kista, Suedia

Yasuhiko Kanzaki **CE2005**



000087

Director

MAKITA INTERNATIONAL EUROPE LTD.

Michigan Drive, Tongwell, Milton Keynes, Bucks MK15 8JD, ANGLIA

Producător:

Makita Corporation Anjo Aichi Japan

ENB094-2

NORME SUPLIMENTARE DE SECURITATE PENTRU MAȘINĂ

PENTRU AMBELE MODURI DE UTILIZARE, CA FERĂSTRĂU PENTRU TĂIERI OBLICE ȘI CA FERĂSTRĂU CIRCULAR CU MASĂ (DE BANC):

1. Purtați vizieră și mijloace de protecție a auzului. Se impune și purtarea altui echipament personal de protecție.

2. Nu purtați NICIODATĂ mănuși în timpul lucrului, exceptând cazul în care schimbați pânzele de ferăstrău sau manipulați materialul brut înaintea prelucrării.
3. Păstrați podeaua din jurul mașinii bine întreținută și fără materiale libere, ca de exemplu așchii și capete retezate.
4. Nu utilizați ferăstrăul cu apărătoarele și pana de despicat demontate. Verificați închiderea corectă a apărătoarelor pânzei înainte de fiecare utilizare. Nu folosiți ferăstrăul dacă apărătoarele pânzei nu se mișcă liber și nu se închid instantaneu. Nu blocați sau legați niciodată apărătoarele pânzei în poziție deschisă. Orice funcționare defectuoasă a apărătoarelor pânzei trebuie remediată imediat.
5. Curățați și aveți grijă să nu deteriorați arborele, flanșele (în special suprafața de montaj) și șurubul cu cap hexagonal înaintea sau în timpul instalării pânzei. Deteriorarea acestor piese poate conduce la ruperea pânzei. O instalare inadecvată poate cauza vibrația/oscilația sau patinarea pânzei. Folosiți numai flanșele specificate pentru această mașină.
6. Verificați atent pânza cu privire la fisuri sau deteriorări înainte de folosire. Nu folosiți pânze de ferăstrău deteriorate sau deformate.
7. Folosiți numai pânzele de ferăstrău recomandate de producător, care sunt conforme cu standardul EN847-1, și aveți în vedere faptul că pana de despicat nu trebuie să fie mai groasă decât lățimea de tăiere a pânzei de ferăstrău și mai subțire decât corpul pânzei.
8. Folosiți întotdeauna accesoriile recomandate în acest manual. Folosirea unor accesorii inadecvate, cum ar fi discurile de retezat, poate provoca vătămări corporale.
9. Alegeți pânza de ferăstrău adecvată pentru materialul ce urmează a fi tăiat.
10. Nu folosiți pânze de ferăstrău fabricate din oțel rapid.
11. Pentru a reduce zgomotul emis, aveți grijă întotdeauna ca pânza să fie ascuțită și curată.
12. Folosiți pânze de ferăstrău ascuțite corect. Respectați viteza maximă specificată pe pânza de ferăstrău.
13. Nu tăiați obiecte metalice cum ar fi cuie și șuruburi. Inspectați piesa de prelucrat și eliminați toate cuiile, șuruburile și materialele străine din aceasta înainte de începerea lucrării.
14. Eliminați eventualele noduri din piesa de prelucrat ÎNAINTE de a începe tăierea.
15. Nu folosiți mașina în prezența lichidelor sau gazelor inflamabile.

16. Pentru siguranța dumneavoastră îndepărtați așchile, resturile de material etc. din zona de lucru și de pe suprafața mesei înainte de conectarea mașinii și începerea lucrării.
17. Operatorul este înțeles adecvat pentru utilizarea, reglarea și operarea mașinii.
18. Nu țineți mâinile pe traiectoria pânzei de ferăstrău și aveți grijă ca dumneavoastră și celelalte persoane din jur să nu fiți poziționați pe aceeași linie cu pânda de ferăstrău. Evitați contactul cu pânda aflată în rotire liberă. Aceasta poate cauza încă vătămări grave, prin urmare nu întindeți niciodată mâna peste pânda de ferăstrău.
19. Fiți permanent vigilent, în special în timpul operațiilor repetitive, monotone. Nu vă lăsați atras de un sentiment fals de securitate. Pânzele sunt extrem de neiertătoare.
20. Asigurați-vă că pârghia de blocare a axului este eliberată înainte de a conecta comutatorul.
21. Înainte de utilizarea mașinii pe piesa propriu-zisă, lăsați-o să funcționeze în gol pentru un timp. Încercați să identificați orice vibrație sau oscilație care ar putea indica o instalare inadecvată sau o pânda neechilibrată.
22. Așteptați până când pânda atinge viteza maximă înainte de a începe tăierea.
23. Mașina nu trebuie folosită pentru canelare, fălțuire sau nutuire.
24. Rețineți-vă de la îndepărta piesele tăiate sau alte bucăți ale piesei prelucrate din zona de tăiere în timpul funcționării mașinii și când capul ferăstrăului nu se află în poziția de repaus.
25. Întrerupeți lucrul imediat dacă observați orice anomalie.
26. Oprți mașina și așteptați ca pânda de ferăstrău să se oprească înainte de a muta piesa sau de a modifica reglajele.
27. Deconectați mașina înainte de a schimba pânda, înaintea reparațiilor sau când nu o utilizați.
28. Unele pulberi rezultate din prelucrare conțin chimicale care prezintă risc de apariție a cancerului, malformațiilor congenitale sau a altor boli ale aparatului reproducător. Printre aceste chimicale se numără:
 - plumbul din materialele vopsite cu vopsea pe bază de plumb și
 - arsenicul și cromul din cheresteaua tratată chimic.

Riscurile la care sunteți expus în acest caz variază, în funcție de frecvența cu care executați acest tip de lucrare. Pentru a reduce expunerea la aceste chimicale: lucrați într-un spațiu bine ventilat și cu un echipament de protecție omologat, cum ar fi acele măști de

protecție a respirației care sunt special concepute pentru a filtra particulele microscopice.

29. Conectați mașina la un dispozitiv de colectare a prafului în timpul tăierii.
30. Asigurați-vă că masa este fixată ferm cu pârghia înainte de a o răsturna.

LA UTILIZAREA ÎN MODUL FERĂSTRĂU PENTRU TĂIERI OBLICE:

31. Nu folosiți ferăstrăul pentru a tăia alte materiale decât lemn, aluminiu sau materiale similare.
32. Nu executați operațiile cu mâna liberă atunci când tăiați piese în apropierea pânzei de ferăstrău. Piesa de prelucrat trebuie să fie fixată ferm la masa rotativă și ghidajul opritor pe durata tuturor operațiilor.
33. Asigurați-vă că masa rotativă este fixată ferm, astfel încât să nu se miște în timpul operației.
34. Asigurați-vă că brațul este fixat ferm atunci când executați tăieri înclinate. Strângeți pârghia în sens orar pentru a fixa brațul.
35. Asigurați-vă că pânda nu intră în contact cu masa rotativă în poziția cea mai coborâtă și cu piesa de prelucrat înainte de a conecta comutatorul.
36. Țineți mânerul ferm. Rețineți că ferăstrăul se mișcă puțin în sus sau în jos în timpul pornirii și opririi.

LA UTILIZAREA ÎN MODUL FERĂSTRĂU CIRCULAR CU MASĂ (DE BANC):

37. Nu executați nicio operație cu mâna liberă. Cu mâna liberă înseamnă folosirea mâinilor pentru sprijinirea sau ghidarea piesei de prelucrat, în locul unei rigle de ghidare.
38. Asigurați-vă că masa rotativă este fixată ferm.
39. Asigurați-vă că brațul este fixat ferm în poziția de lucru. Strângeți pârghia în sens orar pentru a fixa brațul.
40. Folosiți o baghetă împingătoare sau un bloc împingător pentru a evita lucrul cu mâinile și degetele în apropierea pânzei de ferăstrău.
41. Asigurați-vă că pânda nu intră în contact cu pana de despicat sau piesa de prelucrat înainte de a conecta comutatorul.
42. Depozitați întotdeauna bagheta împingătoare când nu o folosiți.
43. Acordați atenție în special instrucțiunilor pentru reducerea riscului de RECUL. RECULUL este o reacție bruscă la înțepenirea, frecarea sau abaterea de la coliniaritate a pânzei de ferăstrău. RECULUL provoacă ejectarea piesei prelucrate din mașină, înapoi către operator. RECULURILE POT CONDUCE LA VĂTĂMĂRI CORPORALE GRAVE. Evitați RECULURILE prin menținerea pânzei ascuțită,

prin menținerea riglei de ghidare paralelă cu pânza, prin menținerea montată și funcțională a penei de despîcat și apărătoarei pânzei, prin fixarea piesei până când ați împins-o complet dincolo de pânză și prin evitarea despîcării a unor piese torsionate sau încovoiate sau care nu au o margine dreaptă pentru a putea fi ghidate de-a lungul riglei de ghidare.

44. Evitați alimentarea bruscă și rapidă. Alimentați materialul cât mai lent posibil atunci când tăiați piese dure. Nu încovoiați sau răsuciți piesa în timpul alimentării. Dacă blocați sau înțepenii pânza în piesa de prelucrat, oprii mașina imediat. Deconectați mașina. Apoi eliminați blocajul.
45. Înainte de a răsturna mașina, asigurați-vă întotdeauna că știftul opritor a blocat ferm capul mașinii în poziția cea mai joasă.

PĂSTRAȚI ACESTE INSTRUCȚIUNI

INSTALARE

⚠ATENȚIE:

Păstrați podeaua din jurul mașinii bine întreținută și fără materiale libere cum ar fi așchii și capete retezate.

Montarea bancului

Pentru instalarea ca masă înaltă cu picioarele extinse complet

Dacă mașina nu poate fi instalată într-o poziție stabilă, rotiți piulița de reglare de la piciorul mașinii pentru echilibrare. Rotiți în sens anti-orar (privind de sus) pentru a scurta piciorul și în sens orar (privind de sus) pentru a-l lungi. După reglare, asigurați-vă că mașina își menține poziția stabilă.

Fig.1

Instalați plăcile de fixare pe trei picioare ale mașinii, cu capătul îndoit orientat spre exterior, cu șuruburi cu cap hexagonal. Apoi fixați mașina pe o suprafață stabilă și plană cu trei bolțuri, folosind găurile de bulonare prevăzute în plăcile de fixare.

Fig.2

Pentru instalarea ca masă joasă cu picioarele pliate

Fig.3

Când mașina se află în poziția cu picioarele pliate, fixați mașina folosind canelurile în U prezentate în figură.

DESCRIERE FUNCȚIONALĂ

⚠ATENȚIE:

- Asigurați-vă că ați oprit mașina și că ați debransat-o de la rețea înainte de a o regla sau de a verifica starea sa de funcționare.

Apărătoarea pânzei

Fig.4

Fig.5

Fig.6

⚠ATENȚIE:

- Asigurați-vă că mânerul nu poate fi coborât fără apăsarea pârghiei din apropierea mânerului, de pe partea stângă.
- Asigurați-vă că apărătoarele inferioare ale pânzei A nu se deschid decât la apăsarea pârghiei din apropierea mânerului, în poziția cea mai înaltă a mânerului.
- Asigurați-vă că apărătoarea pânzei C este instalată înainte de utilizarea în modul ferăstrău pentru tăieri oblice.

Când coborâți mânerul în timp ce apăsați pârghia din stânga, apărătoarea inferioară a pânzei A se ridică automat. Apărătoarea inferioară a pânzei B se ridică în momentul în care atinge piesa de prelucrat. Apărătoarele inferioare ale pânzei sunt pretensionate cu arc, astfel că vor reveni în poziția inițială la finalizarea tăierii și ridicarea mânerului. Apărătoarea superioară a pânzei cade pe suprafața mesei după ce piesa de prelucrat a trecut pe sub ea. **NU DEZACTIVAȚI SAU DEMONTAȚI NICIODATĂ APĂRĂTOARELE INFERIOARE ALE PÂNZEI, ARCUL ATAȘAT LA APĂRĂTOAREA INFERIOARĂ A PÂNZEI, SAU APĂRĂTOAREA SUPERIOARĂ A PÂNZEI, cu excepția cazului menționat în nota de mai jos.**

Pentru siguranța dumneavoastră, păstrați permanent fiecare apărătoare a pânzei în stare bună. Orice funcționare defectuoasă a apărătoarelor trebuie remediată imediat. Verificați revenirea apărătoarelor inferioare ale pânzei sub acțiunea arcului. **NU FOLOSIȚI NICIODATĂ SCULA DACĂ APĂRĂTOAREA INFERIOARĂ A PÂNZEI, ARCUL SAU APĂRĂTOAREA SUPERIOARĂ A PÂNZEI SUNT DETERIORATE, DEFECTE SAU DEMONTATE, cu excepția cazului menționat în nota de mai jos. FOLOSIREA ÎN ACEASTĂ STARE ESTE EXTREM DE PERICULOASĂ ȘI POATE PROVOCA VĂTĂMĂRI GRAVE.**

NOTĂ:

- Există următoarele cazuri excepționale în care pot fi demontate apărătoarele. Apărătoarea inferioară a pânzei C se demontează numai atunci când folosiți mașina în modul ferăstrău circular cu masă. Apărătoarea superioară a pânzei se demontează numai atunci când folosiți mașina în modul ferăstrău pentru tăieri oblice.

Dacă oricare dintre aceste apărătoare transparente ale pânzei devine murdară, sau dacă se depune rumeguș pe acestea astfel încât pânza nu mai poate fi observată cu ușurință, deconectați ferăstrăul și curățați cu grijă apărătoarele pânzei cu o lavetă umedă. Nu folosiți pentru apărătoarea de plastic solvenți sau agenți de curățare pe bază de petrol.

Dacă apărătoarea inferioară a pânzei A este foarte murdară și vizibilitatea prin aceasta este obstrucționată, procedați după cum urmează. Ridicați mânerul complet. Demontați pânza de ferăstrău (consultați paragraful "Montarea sau demontarea pânzei de ferăstrău"). Ridicați apărătoarea inferioară a pânzei A în timp ce apăsați pârghia din stânga. Cu apărătoarea inferioară a pânzei A astfel poziționată, curățarea poate fi realizată complet și eficient. După curățare, urmați procedura de mai sus în sens invers și fixați șurubul.

Urmând aceleași etape prezentate mai sus și pentru apărătoarea superioară a pânzei, apăsați butonul din fața la suprafața superioară și demontați apărătoarea superioară a pânzei. După curățare, reinstalați-o întotdeauna ferm.

Dacă oricare dintre aceste apărătoare se decolorează în timp sau din cauza expunerii la razele ultraviolete, contactați un centru de service Makita pentru a procura o apărătoare nouă. NU DEZACTIVAȚI SAU DEMONTAȚI APĂRĂTOARELE.

Menținerea capacității maxime de tăiere

Fig.7

Această mașină este reglată din fabrică pentru a asigura capacitatea maximă de tăiere pentru o pânză de ferăstrău de 260 mm.

Când instalați o pânză nouă, verificați întotdeauna poziția limită inferioară a pânzei și, dacă este necesar, ajustați-o după cum urmează:

⚠ATENȚIE:

- Când executați acest reglaj, deconectați mașina. Mai întâi, deconectați mașina. Coborâți mânerul complet. Folosiți cheia pentru a roti șurubul de reglare până când conturul pânzei se extinde puțin sub suprafața superioară a mesei rotative, în punctul în care fața frontală a ghidajului opritor întâlnește suprafața superioară a mesei rotative. Cu mașina deconectată, rotiți pânza cu mâna în timp ce țineți mânerul coborât complet pentru a vă asigura că pânza nu intră în contact cu nicio porțiune a tălpii inferioare. Reajustați puțin, dacă este necesar.

⚠ATENȚIE:

- După instalarea unei pânze noi, asigurați-vă că pânza nu intră în contact cu nicio porțiune a tălpii inferioare când mânerul este coborât complet. Efectuați această operație întotdeauna cu mașina deconectată.

Această mașină poate fi utilizată cu sau fără limitator inferior prin deplasarea opritorului inferior după cum se vede în figură.

Pentru a folosi mașina fără limitator inferior, rotiți capătul opritorului în sens anti-orar. Utilizarea în această poziție este adecvată pentru tăierea unei piese late și înguste. Pentru a folosi mașina cu limitatorul inferior, rotiți capătul opritorului în sens orar. Utilizarea în această poziție este adecvată pentru tăierea unei piese groase.

Fig.8

Reglarea unghiului de tăiere oblică

Fig.9

Fig.10

Slăbiți șurubul de strângere de la ghidajul opritor prin rotire în sens anti-orar. Rotiți masa rotativă cu mânerul. După ce ați deplasat mânerul în poziția în care indicatorul indică unghiul dorit pe scala pentru tăiere oblică, strângeți ferm șurubul de strângere în sens orar.

⚠ATENȚIE:

- Când rotiți masa rotativă, aveți grijă să ridicați mânerul complet.
- După schimbarea unghiului de tăiere oblică, fixați întotdeauna masa rotativă înșurubând strâns șurubul de strângere.

Reglarea unghiului de înclinație

În modul ferăstrău pentru tăieri oblice

Fig.11

Fig.12

Pentru a regla unghiul de înclinație, slăbiți pârghia de la spatele mașinii în sens anti-orar.

Împingeți mânerul spre stânga pentru a înclina pânza de ferăstrău până când indicatorul indică unghiul dorit pe scala pentru înclinație. Apoi strângeți pârghia ferm în sens orar pentru a fixa brațul.

⚠ATENȚIE:

- Când înclinați pânza de ferăstrău, aveți grijă să ridicați mânerul complet.
- După schimbarea unghiului de înclinație, fixați întotdeauna brațul strângând pârghia în sens orar.

În modul ferăstrău circular cu masă

Fig.13

Pentru a regla unghiul de înclinație, slăbiți pârghia de sub masă din fața mașinii în sens anti-orar.

Deplasați buton de reglare a adâncimii de tăiere spre stânga pentru a înclina pânza de ferăstrău până când indicatorul indică unghiul dorit pe scala pentru înclinație. Apoi strângeți pârghia ferm în sens orar pentru a fixa brațul.

Acționarea întrerupătorului

Fig.14

Comutarea în modul ferăstrău pentru tăieri oblice

⚠ATENȚIE:

- Înainte de a branșa mașina la rețea, verificați dacă levierul întrerupătorului funcționează corect și dacă revine la poziția "OFF" (oprit) atunci când este eliberat.
- Când nu folosiți mașina, demontați butonul de deblocare și depozitați-l într-un loc sigur. Această preîntâmpină utilizarea neautorizată a mașinii.
- Nu apăsați puternic pârghia comutatoare fără a apăsa butonul de deblocare. Comutatorul se poate rupe.

Pentru a preveni acționarea accidentală a pârghiei comutatoare, este prevăzut un buton de deblocare. Pentru a porni mașina, împingeți pârghia de blocare din stânga, apăsați butonul de deblocare și apoi acționați pârghia comutatoare. Eliberați pârghia comutatorului pentru a opri mașina.

Comutarea în modul ferăstrău circular cu masă

⚠️ATENȚIE:

- Înainte de utilizare, asigurați-vă că mașina pornește și se oprește.

Pentru a porni mașina, apăsați butonul PORNIT (I). Pentru a o opri, apăsați butonul OPRIT (O).

Reglarea adâncimii de tăiere

Fig.15

Adâncimea de tăiere poate fi reglată prin rotirea butonului de reglare a adâncimii de tăiere. Rotiți butonul de reglare a adâncimii de tăiere în sens orar pentru a ridica pânza și în sens anti-orar pentru a o coborî.

⚠️AVERTISMENT:

- Pentru a obține tăieturi mai curate, folosiți o adâncime de tăiere mică atunci când tăiați materiale subțiri.

⚠️ATENȚIE:

- Știftul opritor nu poate fi rotit cu capul mașinii în poziție complet coborâtă. În acest caz, rotiți puțin

butonul rotativ în sens anti-orar pentru ca știftul opritor să poată fi eliberat.

Fig.16 MONTARE

⚠️ATENȚIE:

- Asigurați-vă că ați oprit mașina și că ați deconectat-o de la rețea înainte de a efectua vreo intervenție asupra mașinii.

Depozitarea cheii tubulare

Fig.17

Cheia tubulară este depozitată după cum se vede în figură. Când utilizați cheia tubulară, extrageți-o din suportul cheii. După utilizarea cheii tubulare, reintroduceți-o în suportul cheii.

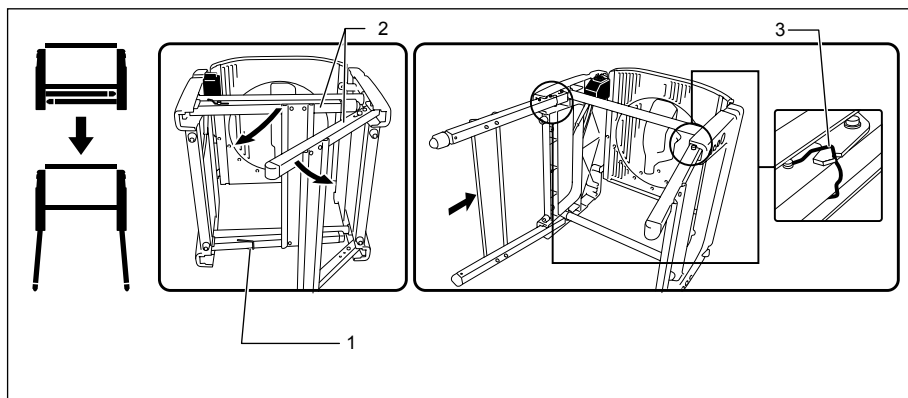
Cele două moduri de reglare a înălțimii mesei

Înălțimea mesei poate fi reglată în două moduri, ca masă înaltă sau ca masă joasă.

⚠️AVERTISMENT:

- Înainte de a răsturna mașina către spate, reglați întotdeauna mașina în modul ferăstrău pentru tăieri oblice și blocați capul mașinii în poziția cea mai coborâtă.

1. Instalarea ca masă înaltă



1. Agățătoare
2. Picioare
3. Cârlig opritor

006043

Pentru a instala mașina ca masă înaltă, procedați după cum urmează.

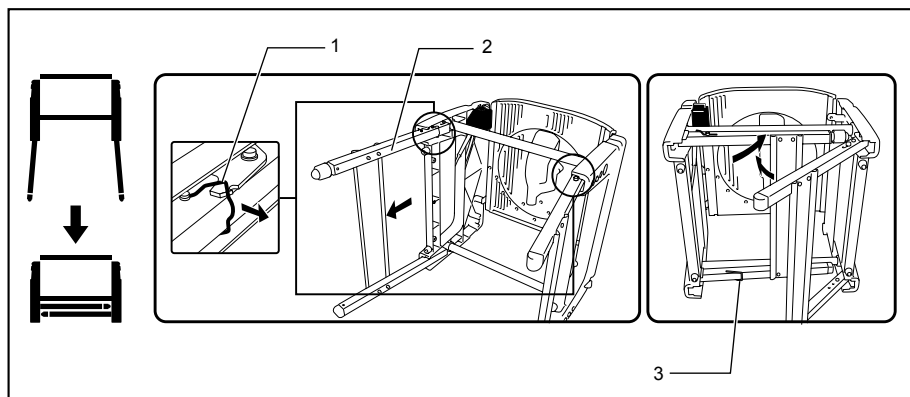
- (1) Răsturnați mașina cu grijă către SPATE ținând-o cu ambele mâini și fără a o lăsa să cadă.
- (2) Rotiți cârligul în direcția săgeții din figură pentru a desface picioarele. Deschideți picioarele mesei pe o latură și împingeți bara inferioară a picioarelor complet înainte până

când se blochează de la sine. Executați aceeași operație și pentru picioarele de pe latura opusă. Asigurați-vă că picioarele de pe ambele laturi sunt blocate complet.

⚠️AVERTISMENT:

- Asigurați-vă că cârligele opritoare sunt poziționate perfect în canelura agățatoarei.
- (3) Readuceți mașina în poziție verticală.

2. Instalarea ca masă joasă



1. Cârlig opritor
 2. Picioare
 3. Aștătoare
- 006044

Picioarele pot fi pliate după cum se vede în figură. Pentru a plia picioarele mașinii, procedați după cum urmează.

- (1) Răsturnați mașina cu grijă către SPATE ținând-o cu ambele mâini și fără a o lăsa să cadă.
- (2) Trageți întâi către dumneavoastră opritorul de la articulația picioarelor din stânga, pentru a le debloca.
- (3) Executați aceleași operații și pentru picioarele de pe latura opusă.
- (4) Folosiți un cârlig pentru a lega aceste picioare.
- (5) Readuceți mașina în poziție verticală.

Montarea sau demontarea pânzei de ferăstrău

⚠ATENȚIE:

- Asigurați-vă întotdeauna că mașina este oprită și deconectată înainte de a monta sau demonta pânza.
- Folosiți numai cheia tubulară Makita livrată pentru montarea și demontarea pânzei. Nerespectarea acestei indicații poate conduce la strângerea excesivă sau insuficientă a șurubului cu cap hexagonal. Aceasta poate provoca vătămări corporale.

Deplasați mânerul în sus, în poziție complet ridicată. Apăsăți pârghia de blocare a axului pentru a bloca arborele și folosiți cheia tubulară pentru a deșuruba șurubul cu cap hexagonal în sens orar.

Fig.18

Ridicați apărătoarea pânzei A cu pârghia sa ridicătoare în timp ce împingeți pârghia din partea stângă a mânerului. Cu apărătoarea pânzei A ridicată, îndepărtați

șurubul cu cap hexagonal, flanșa exterioră și pânda.

Fig.19

Pentru a instala pânza, montați-o cu atenție pe arbore având grijă ca direcția săgeții de pe suprafața pânzei să fie identică cu cea a săgeții de pe carcasa pânzei. Instalați flanșa exterioră și șurubul cu cap hexagonal, iar apoi folosiți cheia tubulară pentru a strânge ferm șurubul cu cap hexagonal (cu filet pe stânga) în sens anti-orar în timp ce apăsați pârghia de blocare a axului.

Fig.20

Fig.21

NOTĂ:

- Când instalați o pânză de ferăstrău, aveți grijă să o introduceți întâi în apărătoarea pânzei B și apoi să o ridicați astfel încât pânza să fie plasată la final în apărătoarea pânzei B.

Pentru toate țările în afara celor europene

Fig.22

⚠ATENȚIE:

- Inelul argintiu cu diametru exterior de 25,4 mm este instalat pe arbore din fabrică. Inelul negru cu diametru exterior de 25 mm este inclus în dotarea standard. Înainte de a monta pânza pe arbore, asigurați-vă întotdeauna că pe arbore este instalat inelul de arbore corect pentru pânza pe care intenționați să o folosiți.

Pentru țările europene

⚠ATENȚIE:

- Inelul cu diametru exterior de 30 mm este instalat din fabrică între flanșa interioară și cea exterioră.

Reduceți apărătoarea inferioară a pânzei A în poziția inițială. Coborâți mânerul pentru a vă asigura că apărătoarele inferioare ale pânzei se deplasează corect. Asigurați-vă că părghia de blocare a axului a eliberat arborele înainte de a începe tăierea.

Reglarea penei de despicat

Fig.23

Trebuie să existe o distanță de circa 5 - 6 mm între pana de despicat și dinții pânzei atunci când împingeți complet pana de despicat către pânză. Reglați pana de despicat în mod corespunzător, slăbind întâi piulița de strângere cu mâna în sens anti-orar și apoi șurubul cu cap hexagonal cu cheia tubulară în sens anti-orar, și măsurând apoi distanța. După efectuarea reglajului, strângeți ferm șurubul cu cap hexagonal și apoi piulița de strângere în sens orar. Verificați întotdeauna dacă pana de despicat este fixată și dacă apărătoarea superioară a pânzei funcționează ușor înainte de a începe tăierea.

Fig.24

Pana de despicat a fost instalată din fabrică înainte de livrare astfel încât pâzna și pana de despicat să fie coliniare după instalare. Consultați paragraful intitulat "Repoziționarea penei de despicat" pentru instalare.

Fig.25

⚠️ATENȚIE:

- Dacă pâzna și pana de despicat nu sunt aliniate corect, în timpul funcționării poate interveni o strângere periculoasă a pânzei. Asigurați-vă că pana de despicat este poziționată între cele două margini exterioare ale pânzei când priviți de sus. Puteți suferi vătămări corporale grave dacă folosiți mașina cu pana de despicat aliniată necorespunzător. Dacă acestea nu sunt aliniate, indiferent de motiv, apelați întotdeauna la un centru de service Makita autorizat în vederea reparării.
- Când reglați distanța dintre pana de despicat și dinții pânzei, slăbiți întotdeauna șurubul cu cap hexagonal numai după ce ați deșurubat piulița de strângere.

Instalarea și reglarea riglei de ghidare

Fig.26

1. Instalați rigla de ghidare pe masă astfel încât suportul riglei de ghidare să se angreneze cu șina de ghidare. Strângeți ferm șurubul de strângere (B) al riglei de ghidare în sens orar.
2. Slăbiți șurubul de strângere (A).
3. Glisați rigla de ghidare și fixați-o astfel încât capătul îndepărtat de dumneavoastră al riglei de ghidare să fie aliniat cu punctul în care muchia frontală a pânzei de ferăstrău începe să iasă peste suprafața superioară a piesei de prelucrat. Scopul acestui reglaj este de a reduce riscul de recul către operatorul care taie o bucată din piesa de prelucrat care este strânsă între pâzna de

ferăstrău și rigla de ghidare și este împinsă în final către operator. Linia (A) variază în funcție de grosimea piesei de prelucrat sau nivelul mesei. Reglați poziția riglei de ghidare corespunzător grosimii piesei de prelucrat.

După reglarea riglei de ghidare, strângeți ferm șurubul de strângere (A).

Fig.27

NOTĂ:

- Există patru moduri de poziționare a riglei de ghidare, după cum se vede în figură. Rigla de ghidare este prevăzută cu două șanțuri pe părțile laterale, un șanț cu o bordură înălțată pe aceeași latură și altul fără bordură. Folosiți suprafața riglei de ghidare cu această bordură orientată spre piesa de prelucrat numai atunci când tăiați într-o piesă subțire.

Fig.28

NOTĂ:

- Pentru a schimba modul de amplasare a riglei de ghidare, demontați rigla de ghidare de pe suportul acesteia prin deșurubarea șurubului de strângere (A) și schimbați orientarea riglei de ghidare față de suportul acesteia astfel încât rigla de ghidare să fie orientată către suportul riglei de ghidare corespunzător lucrării dumneavoastră, după cum se vede în figură.

Introduceți piulițele pătrate de la suportul riglei de ghidare în capătul posterior al fiecărui șanț al riglei de ghidare, astfel încât să fie instalate după cum se vede în figură.

Pentru a trece de la modul de amplasare A sau B la modul de amplasare C sau D, sau invers, demontați piulița pătrată și șurubul de strângere (A) de la suportul riglei de ghidare, apoi amplasați șurubul de strângere (A) și piulița pătrată în partea opusă a suportului riglei de ghidare față de poziția inițială. Strângeți ferm șurubul de strângere (A) după ce ați introdus piulița pătrată a suportului riglei de ghidare în șanțul riglei de ghidare.

Introduceți piulițele pătrate de la suportul riglei de ghidare în capătul posterior al fiecărui șanț al riglei de ghidare, astfel încât să fie instalate după cum se vede în figură.

Fig.29

Rigla de ghidare este reglată din fabrică astfel încât să fie paralelă cu suprafața pânzei. Asigurați-vă că este paralelă. Pentru a verifica dacă rigla de ghidare este paralelă cu pâzna, reglați înălțimea pânzei cu butonul de reglare a adâncimii de tăiere astfel încât pâzna să iasă din masă în poziția cea mai înaltă. Marcați unul dintre dinții pânzei cu un creion colorat. Măsurați distanța (A) și (B) dintre rigla de ghidare și pânză. Efectuați ambele măsurători folosind dintele marcat cu creionul colorat.

Cele două valori măsurate trebuie să fie identice. Dacă rigla de ghidare nu este paralelă cu pânda, procedați după cum urmează:

Fig.30

- (1) Rotiți șurubul de reglare în sens anti-orar.

Fig.31

Fig.32

- (2) Mutați marginea anterioară a riglei de ghidare puțin spre dreapta sau stânga până când devine paralelă cu pânda.
- (3) Strângeți ferm șurubul de reglare de pe rigla de ghidare.

⚠ATENȚIE:

- Asigurați-vă că ați reglat rigla de ghidare astfel încât să fie paralelă cu pânda, în caz contrar pot apare reculuri periculoase.
- Asigurați-vă că ați reglat rigla de ghidare astfel încât aceasta să nu intre în contact cu apărătoarea superioară a pândeii sau cu pânda de ferăstrău.
- Nu repositionați sau transportați mașina apucând-o de rigla de ghidare.
- Ridicarea riglei de ghidare instalate sau exercitarea unei forțe asupra acesteia spre stânga sau dreapta, apucând cu mâna capătul superior, o poate deteriora și îi poate perturba funcționarea.

Instalarea și reglarea calibrului pentru tăieri oblice

Fig.33

Instalați calibrul pentru tăieri introducând axul acestuia într-una din cele două caneluri ale mesei din față. Calibrul opritor pentru tăieri oblice care este folosit și ca riglă de ghidare poate fi instalat pe calibrul pentru tăieri oblice în funcție de aplicație.

Sac de praf

Fig.34

Folosirea sacului de praf permite realizarea unor tăieri curate și facilitează colectarea prafului. Pentru a atășa sacul de praf, montați-l pe duza de praf.

Când sacul de praf s-a umplut până la circa o jumătate din capacitate, scoateți sacul de praf de pe mașină și extrageți dispozitivul de fixare. Goliți conținutul sacului de praf prin lovire ușoară astfel încât să eliminați particulele care aderă la interior și care ar putea stânjeni colectarea ulterioară.

Fig.35

Conectând un aspirator la ferăstrăul dumneavoastră puteți efectua operații mai eficiente și mai curate.

Fig.36

Cot

Fig.37

⚠ATENȚIE:

- Îndreptați orificiul de evacuare al cotului în direcția în care praful și așchiile evacuate nu sunt proiectate către mașină și persoanele din zona de lucru.

Atașați cotul atunci când doriți să schimbați direcția de evacuare a prafului.

Fixarea piesei de prelucrat

⚠AVERTISMENT:

- Este extrem de important să fixați întotdeauna corect și ferm piesa de prelucrat cu menghina. În caz contrar, puteți provoca avarierea mașinii și/sau distrugerea piesei de prelucrat. POT REZULTA ȘI VĂTĂMĂRI CORPORALE. De asemenea, după o operație de tăiere, NU ridicați pânda înainte de a se opri complet.

Menghină verticală

Fig.38

Menghina verticală poate fi instalată în două poziții, atât pe partea stângă cât și pe partea dreaptă a ghidajului opritor. Introduceți tija menghinei în gaura din ghidajul opritor și strângeți șurubul de strângere pentru a fixa tija menghinei.

Positionați brațul menghinei în funcție de grosimea și forma piesei de prelucrat și fixați brațul menghinei prin strângerea șurubului de strângere. Dacă șurubul de fixare a brațului menghinei intră în contact cu ghidajul opritor, instalați șurubul de strângere pe latura opusă a brațului menghinei. Asigurați-vă că nicio parte a mașinii nu intră în contact cu menghina atunci când coborâți mânerul complet. Dacă mașina atinge menghina, repositionați menghina.

Presăți piesa de prelucrat uniform pe ghidajul opritor și masa rotativă. Positionați piesa de prelucrat în poziția de tăiere dorită și fixați-o ferm prin strângerea butonului rotativ al menghinei.

⚠ATENȚIE:

- Piesa de prelucrat trebuie să fie fixată ferm la masa rotativă și ghidajul opritor.

Instalarea mașinii în modul ferăstrău circular cu masă

⚠ATENȚIE:

- Înainte de utilizarea în modul ferăstrău circular cu masă, asigurați-vă că masa rotativă a fost fixată la unghiul de tăiere obișnuit de 0° cu șurubul de strângere de la ghidajul opritor.
- Înainte de utilizarea în modul ferăstrău circular cu masă, asigurați-vă că ați fixat capul mașinii cu pârghia.

- Înainte de utilizarea în modul ferăstrău circular cu masă, asigurați-vă că ați fixat corect în poziție pana de despicat.
- Înainte de utilizarea în modul ferăstrău circular cu masă, demontați apărătoarea inferioară a pânzei C.
- În modul ferăstrău circular cu masă, eliberați opritorul inferior.

Mașina este livrată din fabrică în configurația ferăstrău pentru tăieri oblice. Înainte de utilizarea în modul ferăstrău circular cu masă, schimbați configurația și urmați procedura de mai jos.

1. Fixarea mesei rotative

Fig.39

Pentru a fixa masa rotativă, strângeți ferm șurubul de strângere pe ghidajul opritor la unghiul de tăiere oblică de 0°.

2. Fixarea capului mașinii

Fig.40

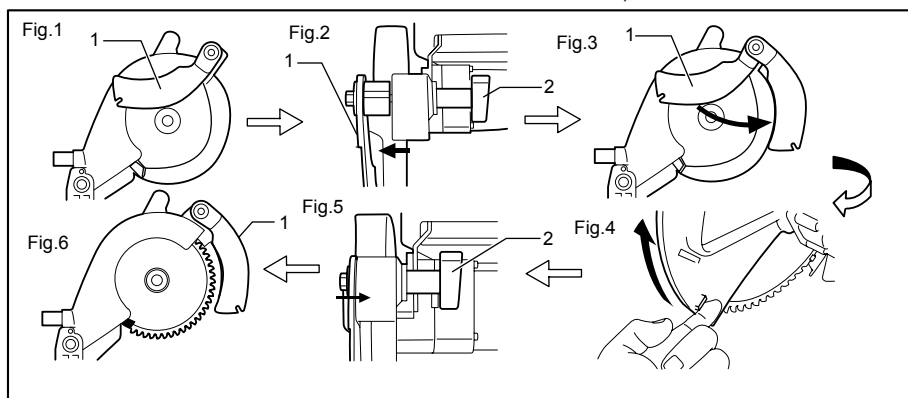
Fixați capul mașinii prin strângerea pârghiei în direcția săgeții prezentate în figură.

3. Eliberarea opritorului inferior

Fig.41

Asigurați-vă că ați poziționat capătul opritorului inferior în poziția A din figură. Rotiți capătul opritorului inferior în sens anti-orar până în poziția A, dacă este poziționat în poziția B.

4. Repoziționarea penei de despicat



1. Pana de despicat

2. Piuliță de strângere

006068

Poziția (Fig. 1) trebuie schimbată după cum urmează.

- (1) Slăbiți piulița de strângere (Fig. 2).
- (2) Trageți și pivotați pana de despicat în poziția de 90° în direcția săgeții (Fig. 3). Apoi împingeți-o puțin înăuntru astfel încât să se blocheze în această poziție.
- (3) Ridicați complet cu mâna apărătoarea inferioară a pânzei A folosindu-vă de proeminență în timp ce împingeți pârghia din partea stângă a mânerului și eliberați pârghia de lângă mâner (Fig. 4).
- (4) Împingeți pana de despicat în direcția săgeții (vezi Fig. 5) astfel încât aceasta să fie aliniată cu pânda de ferăstrău.
- (5) După ce ați împins pana de despicat în direcția săgeții din figură, eliberați apărătoarea inferioară a pânzei A.
- (6) După ce ați aliniat pana de despicat, strângeți ferm piulița de strângere (vezi Fig. 6)

5. Demontarea apărătoarei inferioare a pânzei C

Fig.42

Demontați apărătoarea inferioară a pânzei C de la masă prin slăbirea șurubului de strângere.

6. Blocarea capului mașinii în poziție complet coborâtă

Fig.43

Fig.44

După instalarea penei de despicat în poziția pentru modul ferăstrău circular cu masă, trageți opritorul în direcția săgeții A și rotiți-l la 90° în direcția săgeții B cu opritorul tras. Apoi coborâți mânerul pentru blocarea capului mașinii.

⚠ATENȚIE:

- În cazul în care capul mașinii nu poate fi blocat în poziție complet coborâtă, rotiți butonul de reglare a adâncimii în sens orar cu mai multe ture.
- Înainte de a răsturna mașina, asigurați-vă întotdeauna că știftul opritor a blocat ferm capul mașinii în poziția cea mai joasă.

7. Răsturnarea mașinii

⚠️ AVERTISMENT:

- Asigurați-vă că mașina este oprită și deconectată înainte de a o răsturna.
- Când apăsați pârghia în jos, aveți grijă să nu puneți mâna/degetul în zona de cuplare a mesei cu pârghia.

Fig.45

Țineți marginea mediană a mesei cu o mână, apăsați pârghia în jos cu cealaltă mână ținând marginea mesei ferm și pivotați masa cu grijă pentru a o răsturna. Continuați să țineți masa până se blochează.

8. Instalarea apărătoarei superioare a pânzei

Fig.46

Apăsați butonul apărătoarei superioare a pânzei de pe fața laterală, așezați-o pe canelura penei de despicat menținând butonul apăsat și apoi eliberați butonul.

După eliberarea butonului, asigurați-vă că apărătoarea superioară a pânzei este fixată încercând să o trageți afară.

⚠️ ATENȚIE:

- După instalarea apărătoarei superioare a pânzei, asigurați-vă că funcționează ușor.

Instalarea mașinii în modul ferăstrău pentru tăieri oblice

⚠️ AVERTISMENT:

- Aveți grijă să instalați apărătoarea inferioară a pânzei C înainte de a utiliza mașina în modul ferăstrău pentru tăieri oblice.

Pentru a schimba configurația din modul ferăstrău circular cu masă în modul ferăstrău pentru tăieri oblice, efectuați în ordine inversă operațiile descrise la paragraful intitulat "Instalarea mașinii în modul ferăstrău circular cu masă"

1. Demontarea apărătoarei superioare a pânzei

Apăsați butonul apărătoarei superioare a pânzei de pe fața laterală și apoi îndepărtați în sus apărătoarea superioară a pânzei menținând butonul apăsat.

2. Instalarea apărătoarei inferioare a pânzei C

Așezați apărătoarea inferioară a pânzei C pe masă astfel încât să angreneze în fanta mesei și strângeți ferm șurubul de strângere.

3. Răsturnarea mașinii

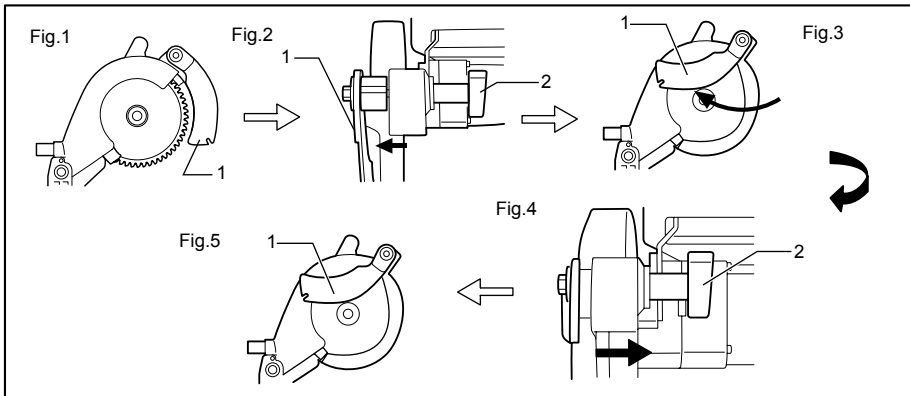
Consultați paragraful cu același titlu de la "Instalarea mașinii în modul ferăstrău circular cu masă".

4. Eliberarea capului mașinii din poziția complet coborâtă

Fig.47

În timp ce țineți mânerul, trageți știftul opritor în direcția săgeții A, rotiți-l la 90° în direcția săgeții B cu știftul opritor tras și apoi ridicați încet mânerul.

5. Repoziționarea penei de despicat



1. Pană de despicat
2. Piuliță de strângere

006075

Poziția penei de despicat (Fig. 1) trebuie schimbată după cum urmează.

- (1) Slăbiți piulița de strângere și țineți cu mâna apărătoarea inferioară a pânzei A folosindu-vă de proeminență (Fig. 2).

- (2) În timp ce țineți apărătoarea inferioară a pânzei A, trageți pana de despicat astfel încât aceasta să se rotească și să pivoteze în poziția indicată de săgeată (Fig. 3).

- (3) Menținând pana de despicat în această poziție, readuceți apărătoarea inferioară a pânzei A în poziția inițială și strângeți ferm piulița de strângere (Fig. 4, 5).

6. Instalarea sau demontarea opritoarelor auxiliare din dreapta și stânga

Fig.48

⚠ATENȚIE:

- Când tăiați o piesă cu grosime de peste 20 mm, asigurați-vă că opritoare auxiliare din dreapta și stânga sunt instalate și fixate ferm cu un șurub. Demontarea opritoarelor auxiliare din dreapta și stânga este utilă pentru tăierea pieselor late și subțiri. Când tăiați o piesă cu grosime de până la 20 mm și lățime de peste 180 mm, demontați opritoare auxiliare din dreapta și stânga deșurubând șurubul indicat în figură. Când tăiați o piesă cu grosime de peste 20 mm, instalați opritoare auxiliare din dreapta și stânga fixându-le ferm cu un șurub. Consultați tabelul de mai jos pentru relația dintre dimensiunea piesei de prelucrat și necesitatea de utilizare cu/fără opritoare auxiliare din dreapta și stânga.

Fig.49

	Dimensiunea piesei de prelucrat (H x l)	cu/fără opritoare auxiliare
1	68 mm x 155 mm	cu opritoare auxiliare
2	20 mm x 210 mm	fără opritoare auxiliare

006577

FUNCȚIONARE

⚠ATENȚIE:

- Înainte de utilizare, aveți grijă să eliberați mânerul din poziția coborâtă trăgând de știftul opritor și rotindu-l la 90°.
- Asigurați-vă că pânza nu intră în contact cu piesa de prelucrat etc. înainte de a conecta comutatorul.

TĂIEREA ÎN MOD FERĂSTRĂU PENTRU TĂIERI OBLICE

⚠AVERTISMENT:

- Asigurați-vă că apărătoarea pânzei C este instalată înainte de utilizarea în modul ferăstrău pentru tăieri oblice.

⚠ATENȚIE:

- Nu aplicați o presiune excesivă asupra mânerului în timpul tăierii. O apăsare prea puternică poate avea ca efect suprasolicitatea motorului și/sau reducerea eficienței tăierii. Apăsați mânerul numai cu atâta forță câtă este necesară pentru a tăiere ușoară și fără o reducere semnificativă a vitezei pânzei.

- Apăsați încet mânerul pentru a executa tăierea. Dacă mânerul este apăsat puternic sau este împins lateral, pânza va vibra și va lăsa o urmă (urmă de ferăstrău) în piesa de prelucrat, iar precizia tăierii va fi afectată.

1. Tăierea prin apăsare

Fig.50

Fixați piesa de prelucrat la ghidajul opritor și masa rotativă. Porniți mașina fără ca pânza să fie în contact și așteptați până când pânza atinge viteza maximă înainte de a o coborî. Apoi coborâți încet mânerul până în poziția complet coborâtă pentru a tăia piesa. După finalizarea tăierii, opriți mașina și AȘTEPTAȚI PÂNĂ CÂND PÂNZA SE OPREȘTE COMPLET înainte de a readuce pânza în poziția complet ridicată.

2. Tăierea oblică

Consultați paragraful "Reglarea unghiului de tăiere oblică" descris anterior.

3. Tăierea înclinată

Fig.51

Slăbiți pârghia și înclinați pânza de ferăstrău pentru a regla unghiul de înclinație (consultați paragraful "Reglarea unghiului de tăiere oblică" descris anterior). Aveți grijă să strângeți din nou ferm pârghia pentru a fixa unghiul de înclinație reglat. Fixați piesa de prelucrat la ghidajul opritor și masa rotativă. Porniți mașina fără ca pânza să fie în contact și așteptați până când pânza atinge viteza maximă. Apoi coborâți încet mânerul până în poziția complet coborâtă, aplicând o presiune în direcție paralelă cu pânza. După finalizarea tăierii, opriți mașina și AȘTEPTAȚI PÂNĂ CÂND PÂNZA SE OPREȘTE COMPLET înainte de a readuce pânza în poziția complet ridicată.

⚠ATENȚIE:

- Asigurați-vă întotdeauna că pânza se va mișca în jos în direcția înclinației în timpul unei tăieri înclinate. Nu țineți mâinile pe traiectoria pânzei de ferăstrău.
 - În timpul unei tăieri înclinate, pot apare situații în care piesa tăiată se va rezema pe fața laterală a pânzei. Dacă pânza este ridicată în timp ce se află încă în rotație, această piesă poate fi agățată de pânză, rezultând în împrăștierea periculoasă a fragmentelor. Pânza trebuie ridicată NUMAI după ce s-a oprit complet.
 - Când apăsați mânerul în jos, aplicați o presiune în direcție paralelă cu pânza. Dacă presiunea nu este aplicată paralel cu pânza în timpul tăierii, unghiul pânzei se poate modifica afectând precizia tăierii.
- ### 4. Tăierea combinată
- Tăierea combinată reprezintă procedeul prin care se execută o tăiere înclinată simultan cu o tăiere oblică a piesei de prelucrat. Tăierea combinată poate fi executată la unghiurile prezentate în tabel.

Unghi de înclinație	Unghi de tăiere oblică
45°	Stânga și dreapta 0° - 45°

006366

Când executați tăieri combinate, consultați explicațiile de la "Tăierea prin apăsare", "Tăierea oblică" și "Tăierea înclinată".

5. Tăierea pieselor extrudate din aluminiu

Fig.52

Când fixați piese extrudate din aluminiu, folosiți blocuri distanțiere sau bucăți de deșeuri după cum se vede în figură, pentru a preveni deformarea aluminiului. Folosiți un lubrifiant de răcire și ungere atunci când tăiați piese extrudate din aluminiu pentru a preveni acumularea de material pe pânză.

⚠ATENȚIE:

- Nu încercați niciodată să tăiați piese de aluminiu extrudat groase sau rotunde. Piesele groase de aluminiu extrudat se pot deplasa în timpul operației, iar piesele rotunde de aluminiu extrudat nu pot fi fixate ferm cu această mașină.
- Nu tăiați niciodată aluminiu în modul ferăstrău circular cu masă (de banc).

TĂIEREA ÎN MOD FERĂSTRĂU CIRCULAR CU MASĂ (DE BANC)

⚠ATENȚIE:

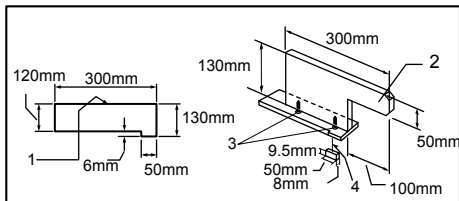
- Folosiți întotdeauna "obiecte ajutătoare" cum ar fi baghete împingătoare și blocuri împingătoare dacă există pericolul ca mâinile sau degetele dumneavoastră să ajungă în apropierea pânzei.
- Fixați întotdeauna ferm piesa de prelucrat cu masa și rigla de ghidare. Nu o încovoiați sau răsuciți în timpul alimentării. Dacă piesa este încovoiată sau răsucită, pot interveni reculuri periculoase.
- Nu retrageți NICIODATĂ piesa în timpul funcționării pânzei. Dacă trebuie să retrageți piesa înainte de a finaliza o tăietură, oprți întâi mașina ținând piesa ferm. Așteptați până când pânza se oprește complet înainte de a retrage piesa. În caz contrar pot interveni reculuri periculoase.
- Nu îndepărtați NICIODATĂ materialul tăiat în timpul funcționării pânzei.
- Nu puneți NICIODATĂ mâinile sau degetele pe traiectoria pânzei de ferăstrău.
- Fixați întotdeauna ferm rigla de ghidare pentru a evita reculurile periculoase.
- Folosiți întotdeauna "obiecte ajutătoare" cum ar fi baghete împingătoare și blocuri împingătoare atunci când tăiați piese mici sau înguste, sau când capul de canelare nu este vizibil în timpul tăierii.

Obiecte ajutătoare

Baghetele împingătoare, blocurile împingătoare sau opritoarele auxiliare sunt diverse tipuri de "obiecte ajutătoare". Folosiți-le pentru a executa tăieri sigure și precise fără ca utilizatorul să fie nevoit să atingă pânza

cu nicio parte a corpului.

Bloc împingător



- Față/margine paralelă
- Mâner
- Șurub pentru lemn
- Ghidați împreună

006080

Folosiți o bucată de placaj de 19 mm.

Mănerul trebuie să fie centrat pe bucata de placaj. Fixați-l cu adeziv și șuruburi pentru lemn ca în figură. Piesele mici de lemn de 9,5 mm x 8 mm x 50 mm trebuie lipite întotdeauna pe placaj pentru a evita uzura pânzei dacă utilizatorul taie accidental în blocul împingător. (Nu folosiți niciodată cuie în blocul împingător.)

Opritor auxiliar

Fig.53

Executați opritorul auxiliar din bucăți de placaj de 9,5 mm și 19 mm.

Spintecarea

⚠ATENȚIE:

- Când spintecați, demontați calibrul pentru tăieri oblice de pe masă.
 - Când tăiați piese lungi sau late, asigurați întotdeauna un sprijin adecvat în spatele mesei. NU permiteți unei plăci lungi să se miște sau să translateze pe masă. Aceasta va provoca blocarea pânzei și va spori riscul de recul și vătămare corporală. Suportul trebuie să aibă aceeași înălțime ca și masa.
- Reglați adâncimea de tăiere puțin mai sus decât grosimea piesei de prelucrat. Pentru a efectua acest reglaj, consultați paragraful intitulat "Reglarea adâncimii de tăiere".
 - Poziționați rigla de ghidare la lățimea dorită a spintecării și fixați-o în poziție prin strângerea șurubului de strângere (A). Înainte de spintecare, asigurați-vă că cele două șuruburi ale suportului riglei de ghidare sunt strânse. Dacă nu sunt strânse suficient, strângeți-le din nou.
 - Porniți mașina și alimentați încet piesa de prelucrat la pânză de-a lungul riglei de ghidare.
 - Dacă lățimea piesei de spintecat este de 150 mm sau mai mare, folosiți cu atenție o mână pentru a alimenta piesa. Folosiți cealaltă mână pentru a ține piesa lipită de rigla de ghidare.

Fig.54

- (2) Dacă lățimea piesei de spintecat este de 65 mm - 150 mm, folosiți bagheta împingătoare pentru a alimenta piesa.

Fig.55

- (3) Dacă lățimea piesei de spintecat este mai mică de 65 mm, bagheta împingătoare nu poate fi utilizată deoarece se lovește de apărătoarea pânzei. Folosiți opritorul auxiliar și blocul împingător. Atașați opritorul auxiliar la rigla de ghidare cu două bride "C".

Fig.56

Alimentați piesa de prelucrat cu mâna până când capătul ajunge la circa 25 mm față de marginea frontală a mesei superioare. Continuați alimentarea folosind blocul împingător deasupra opritorului auxiliar până când tăierea este finalizată.

Fig.57

Retezare

⚠ATENȚIE:

- Când efectuați o rețezare, demontați rigla de ghidare de pe masă.
- Când tăiați piese lungi sau late, asigurați întotdeauna un sprijin adecvat în părțile laterale ale mesei. Suportul trebuie să aibă aceeași înălțime ca și masa.
- Nu țineți niciodată mâinile pe traiectoria pânzei.

Calibru pentru tăieri oblice

Folosiți calibrul pentru tăieri oblice la cele 4 tipuri de tăiere prezentate în figură.

Fig.58

⚠ATENȚIE:

- Fixați cu grijă butonul rotativ de la calibrul pentru tăieri oblice.
- Evitați alunecarea între piesa de prelucrat și calibrul folosind o metodă de prindere fermă, în special când efectuați tăieri înclinate.
- Nu țineți sau apucați NICIODATĂ porțiunea de piesă care urmează a fi tăiată.

Folosirea calibrului pentru tăieri oblice

Fig.59

Introduceți calibrul pentru tăieri oblice în canelurile groase ale mesei. Slăbiți butonul rotativ de pe calibrul și aliniați calibrul la unghiul dorit (0° până la 60°). Alipiți bușteanul de opritor și împingeți-l încet către pânză.

Placă de lemn auxiliar (calibrul pentru tăieri oblice)

Fig.60

Pentru a preveni oscilația unei plăci lungi, echipați calibrul pentru tăieri oblice cu o placă opritoare auxiliară. Fixați-o cu șuruburi/piulițe după practicarea unor găuri,

însă elementele de fixare nu trebuie să iasă deasupra nivelului suprafeței plăcii.

Transportarea mașinii

Fig.61

Asigurați-vă că mașina este deconectată. În cazul mașinii care tocmai a fost utilizată în modul ferăstrău pentru tăieri oblice, fixați pânza la unghiul de înclinație 0° și rotiți masa rotativă la unghiul de tăiere oblică de 0°. Coborâți mânerul complet și blocați-l în poziție coborâtă prin apăsarea completă a știftului opritor.

Transportați mașina apucând-o de porțiunea indicată în figură.

Fig.62

⚠ATENȚIE:

- Fixați întotdeauna toate piesele mobile înainte de a transporta mașina.
- Înainte de a transporta mașina, instalați-o întotdeauna în modul ferăstrău pentru tăieri oblice.
- Asigurați-vă că apărătoarea inferioară a pânzei C este montată pe mașină.

ÎNȚREȚINERE

⚠ATENȚIE:

- Asigurați-vă că ați oprit mașina și că ați debransat-o de la rețea înainte de a efectua operațiuni de verificare sau întreținere.

⚠AVERTISMENT:

- Asigurați-vă întotdeauna că pânza este ascuțită și curată pentru a obține performanțe optime în condiții de siguranță.

Reglarea unghiului de tăiere

Această mașină este reglată și aliniată cu grijă din fabrică, însă manipularea dură poate afecta alinierea. Dacă mașina dumneavoastră nu este aliniată corespunzător, procedați după cum urmează:

1. Unghi de tăiere oblică

Fig.63

Șuruburile de reglare a unghiului de tăiere oblică de 0° sunt amplasate în patru poziții.

Slăbiți cele patru șuruburi de reglare a unghiului de tăiere oblică la 0° rotindu-le în sens anti-orar de sub masă.

Coborâți mânerul complet și blocați-l în poziție coborâtă trăgând și rotind știftul opritor cu un unghi de 90° în sens orar. Orientați fața laterală a pânzei perpendicular pe fața ghidajului opritor folosind un echer, un vinclu etc. Apoi strângeți ferm cele patru șuruburi de reglare ale brațului inferior de sub masă. Asigurați-vă că indicatorul indică valoarea 0° pe scala pentru tăiere oblică. În caz contrar, reglați poziția indicatorului prin deșurubarea șurubului care fixează indicatorul. După reglare, strângeți ferm șurubul.

Fig.64

2. Unghi de înclinare

Fig.65

(1) Unghi de înclinare 0°

Coborâți mânerul complet și blocați-l în poziție coborâtă trăgând și rotind știftul opritor cu un unghi de 90° în sens orar. Slăbiți pârghia de la spatele mașinii.

Rotiți de sub masă șurubul de reglare a unghiului de înclinare de 0° din partea dreaptă a brațului inferior cu două sau trei rotații în sens anti-orar, pentru a înclina pânza spre dreapta.

Orientați cu grijă fața laterală a pânzei perpendicular pe fața superioară a mesei rotative folosind un echer, un vinclu etc. prin rotirea șurubului de reglare a unghiului de înclinare de 0° în sens orar.

Fig.66

Asigurați-vă că indicatorul de pe masa rotativă indică valoarea 0° pe scala pentru înclinare de la braț. Dacă indicatorul nu indică valoarea 0°, deșurubați șurubul care fixează indicatorul și reglați indicatorul ca să indice 0°.

Fig.67

(2) Unghi de înclinare 45°

Reglați unghiul de înclinare de 45° numai după ce ați efectuat reglarea unghiului de înclinare de 0°. Pentru a regla un unghi de înclinare de 45° spre stânga, slăbiți pârghia și înclinați pânza complet spre stânga. Asigurați-vă că indicatorul de pe braț indică valoarea 45° pe scala pentru înclinare de la braț. Dacă indicatorul nu indică valoarea 45°, rotiți de sub masă șurubul de reglare a unghiului de înclinare de 45° din partea stângă a brațului inferior până când indicatorul indică 45°.

Înlocuirea periiilor de carbon

Fig.68

Detașați periiile de carbon și verificați-le în mod regulat. Schimbați-le atunci când s-au uzat până la marcajul limită. Periiile de carbon trebuie să fie în permanență curate și să alunece ușor în suport. Ambele perii de carbon trebuie să fie înlocuite simultan cu alte perii identice.

Folosiți o șurubelniță pentru a îndepărta capacul suportului periiilor de carbon. Scoateți periiile de carbon uzate și fixați capacul pentru periiile de carbon.

Fig.69

După utilizare

- După utilizare, ștergeți așchiile și praful depuse pe mașină cu o lavetă sau un material similar pentru a asigura o durată maximă de exploatare. Păstrați apărătoarele pânzei curate conform indicațiilor din paragraful intitulat "Apărătoarea pânzei" descris anterior. Lubrifiați piesele glisante cu ulei de mașină pentru a preveni oxidarea.

Pentru a menține siguranța și fiabilitatea mașinii, reparațiile și reglajele trebuie să fie efectuate numai la Centrele de service autorizat Makita, folosindu-se piese de schimb Makita.

ACCESORII

⚠ATENȚIE:

- Folosiți accesoriile sau piesele auxiliare recomandate pentru mașina dumneavoastră în acest manual. Utilizarea oricăror alte accesorii sau piese auxiliare poate cauza vătămări. Folosiți accesoriile pentru operațiunea pentru care au fost concepute.

Dacă aveți nevoie de asistență sau de mai multe detalii referitoare la aceste accesorii, adresați-vă centrului local de service Makita.

- Pânze de ferăstrău cu plăcuțe de oțel și carburi metalice
- Menghină verticală
- Cheie tubulară 13-3
- Sac de praaf
- Echer
- Capac de protecție contra prafului (apărătoarea inferioară a pânzei C)
- Baghetă împingătoare
- Ansamblu riglă (riglă de ghidare)
- Calibru pentru tăieri oblice
- Plăci de fixare (3 bucăți)
- Șuruburi cu cap hexagonal (3 bucăți)
- Cot
- Ansamblu capac superior (apărătoarea superioară a pânzei)

DEUTSCH

Erklärung der Gesamtdarstellung

- 1-1. Einstellschraube
- 1-2. Bein
- 2-1. Befestigungsplatte
- 2-2. Hex. Schraube
- 3-1. U-förmige Nuten
- 4-1. Unterer Blattschutz A
- 4-2. Unterer Blattschutz B
- 5-1. Unterer Blattschutz A (bei Verwendung als Gehrungssäge)
- 6-1. Druckknopf
- 6-2. Spaltkeil
- 6-3. Oberer Blattschutz (bei Verwendung als Tischkreissäge)
- 7-1. Drehteller-Oberfläche
- 7-2. Sägeblattnumfang
- 7-3. Gehrungsanschlag
- 8-1. Unterer Grenzstopper
- 8-2. Einstellschraube
- 8-3. Mutter
- 9-1. Schraube
- 9-2. Gehrungsanschlag
- 10-1. Griff
- 10-2. Drehtisch
- 11-1. Hebel
- 12-1. Griff
- 13-1. Hebel
- 13-2. Schnitttiefen-Einstellungsknopf
- 14-1. Schalter bei Verwendung als Gehrungssäge
- 14-2. Schalter bei Verwendung als Tischkreissäge
- 14-3. Entsperrungstaste
- 14-4. Schalter
- 14-5. Griff
- 14-6. Hebel
- 14-7. Einschalttaste
- 14-8. Ausschalttaste
- 15-1. Schnitttiefen-Einstellungsknopf
- 16-1. Anschlagstift
- 17-1. Steckschlüssel
- 17-2. Schlüsselhalter
- 18-1. Steckschlüssel
- 18-2. Spindelarretierung
- 18-3. Hex. Schraube
- 19-1. Hebel
- 19-2. Hebel zum Anheben
- 20-1. Sägeblatt
- 20-2. Blattschutz B
- 21-1. Sägeblattgehäuse
- 21-2. Pfeil
- 21-3. Sägeblatt
- 21-4. Pfeil
- 22-1. Hex. Schraube
- 22-2. Außenflansch
- 22-3. Sägeblatt
- 22-4. Innenflansch
- 22-5. Spindel
- 22-6. Ring
- 23-1. Befestigungsmutter
- 23-2. Hex. Schraube
- 23-3. Spaltkeil
- 24-1. Spaltkeil
- 24-2. Sägeblatt
- 25-1. Blattbreite
- 25-2. Spaltkeil
- 25-3. Hex. Schraube
- 26-1. Parallelenschlagshalter
- 26-2. Führungsschiene
- 26-3. Klemmschraube (A)
- 26-4. Klemmschraube (B)
- 26-5. Parallelenschlag
- 27-1. Parallelenschlag
- 27-2. Parallelenschlagshalter
- 27-3. Auszurichtende Linie
- 27-4. Sägeblatt
- 27-5. Oberer Tisch
- 27-6. Werkstück
- 28-1. Parallelenschlag
- 28-2. Parallelenschlagshalter
- 28-3. Sägeblatt
- 29-1. Parallelenschlag
- 29-2. Parallelenschlagshalter
- 29-3. Vierkantmutter
- 29-4. Klemmschraube (A)
- 29-5. Klemmschraube (B)
- 30-1. Skala
- 31-1. Parallelenschlag
- 31-2. Parallelenschlagshalter
- 31-3. Einstellschraube
- 32-1. Parallelenschlag
- 32-2. Sägeblatt
- 32-3. Oberer Blattschutz
- 33-1. Gehrungsanschlag
- 33-2. Gehrungsfugenlehre
- 33-3. Nuten
- 34-1. Absaugstutzen
- 34-2. Staubbeutel
- 35-1. Staubbeutel
- 35-2. Verschluss
- 37-1. Absaugstutzen
- 37-2. Bogenrohr
- 38-1. Schraubklemmenarm
- 38-2. Stehbolzen
- 38-3. Gehrungsanschlag
- 38-4. Schraubklemmenknopf
- 38-5. Schraube
- 39-1. Schraube
- 39-2. Gehrungsanschlag
- 40-1. Hebel
- 41-1. Unterer Grenzstopper
- 41-2. Einstellschraube
- 42-1. Schraube
- 43-1. Anschlagstift
- 44-1. Sägekopf gesperrt in unterster Position
- 45-1. Hebel
- 45-2. Hebelbereich zum Auflegen von Hand/Fingern
- 45-3. Hakenteile
- 46-1. Druckknopf
- 46-2. Spaltkeil
- 46-3. Oberer Blattschutz (bei Verwendung als Tischkreissäge)
- 47-1. Anschlagstift
- 48-1. Gehrungsanschlag
- 48-2. Zusatzanschlag R
- 48-3. Zusatzanschlag L
- 48-4. Stift
- 48-5. Schraube
- 49-1. Bei entferntem Zusatzanschlag
- 49-2. Bei montiertem Zusatzanschlag
- 50-1. Schraubklemme (optionales Zubehör)
- 51-1. Schraubklemme (optionales Zubehör)
- 52-1. Schraubklemme
- 52-2. Abstandsblock
- 52-3. Gehrungsanschlag
- 52-4. Aluminiumprofil
- 52-5. Abstandsblock
- 53-1. Fläche/Kante parallel
- 55-1. Schubstock
- 56-1. Hilfsanschlag
- 57-1. Schubblock
- 57-2. Hilfsanschlag
- 58-1. QUERSCHNITTE
- 58-2. GEHRUNGSSCHNITTE
- 58-3. NEIGUNGSSCHNITTE
- 58-4. KAPP- UND GEHRUNGSSCHNITTE (WINKEL)
- 59-1. Rille
- 59-2. Gehrungsfugenlehre
- 59-3. Knopf
- 61-1. Anschlagstift
- 62-1. Werkzeugteil zum Tragen
- 64-1. Einstellendreieck
- 64-2. Sägeblatt
- 64-3. Gehrungsanschlag
- 65-1. 0°-Einstellschraube
- 65-2. Einstellschraube für 45°-Neigungswinkel

66-1. Einstelldreieck
 66-2. Sägeblatt
 66-3. Drehteller-Oberfläche
 67-1. Arm

67-2. Neigungsskala
 67-3. Zeiger
 67-4. Drehteller
 68-1. Grenzmarke

69-1. Kohlenhalterdeckel
 69-2. Schraubenzieher

TECHNISCHE DATEN

Modell	LF 1000
Sägeblattdurchmesser	260 mm
Lochdurchmesser	
Für europäische Länder	30 mm
Maximale Schnittleistung (H x B) mit 260-mm-Durchmesser Sägeblatt als Gehrungssäge	

Neigungswinkel	Gehrungswinkel	
	0°	
0°	20 mm x 210 mm	
	68 mm x 155 mm	
45° (links)	50 mm x 150 mm	

Max. Schnittleistung bei 90° als Tischkreissäge (Tischsägebetriebsart)	70 mm
Leerlaufdrehzahl (min ⁻¹)	2.700
Tischgröße (B x L)	500 mm x 555 mm
Abmessungen (L x B x H1(note 1)/H2(note 2)) als Gehrungssäge	660 mm x 650 mm x 1.220 mm / 800 mm
bei Verwendung als Tischkreissäge	660 mm x 650 mm x 1.060 mm / 845 mm
Netto-Gewicht	32 kg
Sicherheitsklasse	II/III

Note1 H1: Höhe bis Werkzeugkopf









Note2 H2: Höhe bis Tisch

- Aufgrund der laufenden Forschung und Entwicklung unterliegen die hier aufgeführten technischen Daten Veränderungen ohne Hinweis
- Anm.: Die technischen Daten können für verschiedene Länder unterschiedlich sein.

END213-4

Symbole

Nachstehend sind Symbole aufgeführt, auf die Sie beim Werkzeuggebrauch stoßen können. Sie sollten noch vor Arbeitsbeginn ihre Bedeutung kennen.

-  · Lesen Sie die Bedienungsanleitung.
-  · ZWEIFACH-ISOLIERUNG
-  · Um Verletzungen durch fliegende Splitter zu vermeiden, halten Sie den Sägekopf nach dem Durchführen der Schnitte abgesenkt, bis das Sägeblatt zum völligen Stillstand gekommen ist.
-  · Bringen Sie Ihre Hände oder Finger nicht in die Nähe des Sägeblatts.
-  · Zur Ihrer eigenen Sicherheit sollten Späne und Kleinteile vor Beginn der Arbeit vom Tisch entfernt werden.
-  · Ziehen Sie stets den Stecker, bevor Sie das Werkzeug um die eigene Achse drehen.
-  ·
-  ·



- Achten Sie beim Tragen auf eine korrekte Positionierung der Hände.



- Heben Sie beim Anbringen oder Entfernen nicht das obere Ende des Parallelanschlags an.



- Nur für EU-Länder
Entsorgen Sie die elektrische Einrichtung nicht zusammen mit dem Hausmüll!

Auf Anordnung des Europarats 2002/96/EC über die Entsorgung von elektrischen und elektronischen Einrichtungen und ihrer Durchführung übereinstimmend mit den nationalen Gesetzen, müssen die elektrischen Einrichtungen, nachdem sie ausgedient haben, gesondert gesammelt und der ökologischen Wiederverwertung zugeführt werden.

Verwendungszweck

Das Werkzeug wurde für akkurate Gerad- und Gehrungsschnitte von Holz entwickelt. Das Werkzeug lässt sich als Gehrungssäge und durch Herumdrehen des Tisches um die eigene Achse als Tischkreissäge verwenden.

ENF002-1

Speisung

Das Werkzeug darf nur an eine entsprechende Quelle mit der gleichen Spannung angeschlossen werden, wie sie auf dem Typenschild aufgeführt wird, und es kann nur mit Einphasen-Wechselstrom arbeiten. Es besitzt in Übereinstimmung mit den europäischen Normen eine Zweifach-Isolierung, aufgrund dessen kann es aus Steckdosen ohne Erdungsleiter gespeist werden.

ENG037-1

Nur für europäische Länder

Lärm und Vibration

Typische A-gewichtige Niveaus der Geräuschpegel sind Schalldruckniveau: 92dB(A).

Schalleistungsniveau: 105 dB (A).

Verwenden Sie Hilfsmittel für den Gehörschutz.

Der typische effektive Beschleunigungswert beträgt nicht mehr als 2,5 m/s².

Diese Werte wurden entsprechend der Norm EN61029 gewonnen.

ENH015-4

Modell; LF1000

ÜBEREINSTIMMUNGSERKLÄRUNG MIT DEN EU-NORMEN

Wir erklären auf unsere eigene Verantwortung, dass dieses Produkt in Übereinstimmung mit den nachstehenden Normen oder standardisierten Dokumenten steht:

EN61029, EN55014, EN61000 in Übereinstimmung mit den Richtlinien des Rates 89/336/EEC, 98/37/EC.

Das Eignungszertifikat der technischen Dokumentation wurde im Hinblick auf 98/37/EC von der folgenden benannten Stelle erwirkt:

Intertek SEMKO AB, Torshamnsgatan 43, Box 1103, SE-164 22 Kista, Schweden

Yasuhiko Kanzaki **CE2005**



000087

Direktor

MAKITA INTERNATIONAL EUROPE LTD.

Michigan Drive, Tongwell, Milton Keynes, Bucks MK15 8JD, ENGLAND

Verantwortlicher Hersteller:

Makita Corporation Anjo Aichi Japan

ZUSÄTZLICHE SICHERHEITSREGELN FÜR DAS WERKZEUG

FÜR EINE VERWENDUNG SOWOHL ALS GEHRUNGSSÄGE ALS AUCH ALS TISCHKREISSÄGE:

1. Tragen Sie eine Schutzbrille und Gehörschutz. Das Tragen weiterer Schutzvorrichtungen wird dringend empfohlen.
2. Tragen Sie KEINE Handschuhe während des Betriebs, außer zum Ersetzen von Sägeblättern oder beim Handhaben rauer Materialien vor der Arbeit.
3. Halten Sie den Bodenbereich um das Werkzeug herum gut instand und frei von losem Material wie Späne und Abschnitte.
4. Vergewissern Sie sich, dass die Schutzvorrichtungen und der Spaltkeil vorschriftsmäßig angebracht sind, bevor Sie die Säge einschalten. Prüfen Sie vor jeder Inbetriebnahme, ob der Blattschutz korrekt schließt. Verwenden Sie die Säge niemals, wenn der Blattschutz sich nicht ungehindert bewegen und unverzüglich schließen lässt. Der bewegliche Blattschutz darf niemals in der geöffneten Stellung festgeklemmt oder festgebunden werden. Etwaige Mängel des Blattschutzes müssen unverzüglich behoben werden.
5. Reinigen Sie vor oder während der Anbringung des Blattes Spindel, Flansche (insbesondere deren Montageflächen) und Schraube und achten Sie sorgfältig darauf, dass diese nicht beschädigt werden. Eine Beschädigung dieser Teile kann zu Schäden am Sägeblatt führen. Eine schlechte Anbringung kann zu Vibrationen, Schlagen und Rutschen des Blattes führen. Verwenden Sie nur die für dieses Werkzeug vorgeschriebenen Flansche.
6. Überprüfen Sie das Sägeblatt vor dessen Gebrauch sorgfältig auf Risse oder sonstige Beschädigungen. Beschädigte oder deformierte Sägeblätter dürfen nicht verwendet werden.
7. Verwenden Sie ausschließlich die vom Hersteller empfohlenen Sägeblätter, die der Norm EN847-1 entsprechen, und beachten Sie, dass der Spaltkeil nicht dicker sein darf als die Schnittbreite des Sägeblatts und nicht dünner als der Körper des Blattes.
8. Verwenden Sie nur die in dieser Anleitung empfohlenen Zubehörteile. Die Verwendung ungeeigneter Zubehörteile, wie z.B. Trennscheiben, kann zu Verletzungen

- führen.
9. Wählen Sie ein für das zu schneidenden Material geeignetes Sägeblatt aus.
 10. Verwenden Sie keine Sägeblätter, die aus HSS-Stahl hergestellt wurden.
 11. Achten Sie darauf, dass das Sägeblatt immer scharf und sauber ist, um den Geräuschpegel niedrig zu halten.
 12. Verwenden Sie richtig geschliffene Sägeblätter. Beachten Sie die maximale Drehzahl, die auf dem Sägeblatt angegeben ist.
 13. Schneiden Sie keine metallenen Objekte wie Nägel und Schrauben. Untersuchen Sie das Werkstück auf Nägel, Schrauben und andere Fremdmaterialien, und entfernen Sie diese ggf. vor Arbeitsbeginn.
 14. Entfernen Sie lose Äste aus dem Werkstück, BEVOR Sie mit dem Sägen beginnen.
 15. Betreiben Sie das Gerät nicht in der Nähe leicht entzündlicher Flüssigkeiten oder Gase.
 16. Zu Ihrer eigenen Sicherheit sollten Späne und Kleinteile vor Einstecken des Werkzeugs und Beginn der Arbeit aus dem Arbeitsbereich entfernt werden.
 17. Der Bediener sollte in der Verwendung, der Einstellung und dem Betrieb des Werkzeugs ausreichend ausgebildet sein.
 18. Halten Sie sich selbst und Ihre Hände vom Weg des Sägeblatts fern und achten Sie darauf, dass sich dort auch keine umstehenden Personen befinden. Vermeiden Sie jede Berührung des Sägeblattes bei laufender Maschine. Es kann noch immer schwere Verletzungen verursachen. Greifen Sie auch nie um das Sägeblatt herum.
 19. Arbeiten Sie immer mit voller Aufmerksamkeit, besonders bei sich wiederholenden, monotonen Bedienungsvorgängen. Lassen Sie sich nicht in falsche Sicherheit wiegen. Von Sägeblättern geht immer eine Gefahr aus.
 20. Vergewissern Sie sich, dass die Spindelarretierung gelöst ist, bevor Sie das Gerät einschalten.
 21. Bevor Sie das Werkzeug auf das zu bearbeitende Werkstück ansetzen, lassen Sie es einige Zeit ohne Last laufen. Achten Sie auf Vibrationen und Schlagen. Beides gibt Aufschluss über ein schlecht ausgewuchtetes Blatt oder kann auf einen nicht fachgerechten Einbau deuten.
 22. Warten Sie mit der Arbeit, bis das Blatt seine volle Drehzahl erreicht hat.
 23. Das Werkzeug darf nicht zum Schneiden von Schlitzfen, Fugen und Nuten verwendet werden.
 24. Entfernen Sie keine Verschnitte oder andere Teile des Werkstücks aus dem Schneidebereich, während das Gerät läuft und sich der Sägekopf nicht in der Ruheposition befindet.
 25. Unterbrechen Sie bei Auftreten von Störungen den Betrieb sofort.
 26. Schalten Sie das Gerät aus und warten Sie, bis das Sägeblatt zum Stillstand gekommen ist, bevor Sie das Werkstück bewegen oder Einstellungen an der Maschine vornehmen.
 27. Ziehen Sie den Netzstecker, bevor Sie das Sägeblatt wechseln oder die Maschine warten oder einlagern.
 28. Bestimmter Staub, der beim Betrieb entsteht, enthält Chemikalien, die Krebs, Geburtsschäden und andere Fortpflanzungsschäden verursachen kann. Beispiele für diese Chemikalien sind unter anderem:
 - Blei aus Material, das mit verbleitem Lack behandelt wurde, und
 - Arsen und Chrom aus chemisch behandeltem Holz.
 Ihr Risiko hängt davon ab, wie oft Sie diese Arbeiten ausführen. Reduzieren Sie die Häufigkeit, mit der Sie sich diesen Chemikalien aussetzen: Arbeiten Sie in einem gut belüfteten Bereich und arbeiten Sie mit den zugelassenen Schutzvorrichtungen, dazu gehören Staubmasken, die vor allem für die Filterung mikroskopischer Partikel vorgesehen sind.
 29. Schließen das Werkzeug beim Sägen an eine Staubabsaugvorrichtung an.
 30. Vergewissern Sie sich, dass der Tisch nach dem Herumdrehen mit dem Hebel gesichert ist.
- BEI VERWENDUNG ALS GEHRUNGSSÄGE:**
31. Verwenden Sie die Säge nicht, um andere Materialien als Holz, Aluminium oder ähnliche Werkstoffe zu sägen.
 32. Sägen Sie nicht freihand Werkstücke in einem Bereich nahe des Sägeblatts. Das Werkstück muss bei allen Arbeiten am Gehrungsanschlag sowie am Drehtisch gesichert werden.
 33. Vergewissern Sie sich, dass der Drehtisch arretiert ist und sich während des Sägebetriebes nicht bewegt.
 34. Vergewissern Sie sich bei Neigungsschnitten, dass der Arm gesichert ist. Ziehen Sie den Hebel im Uhrzeigersinn an, um den Arm zu befestigen.
 35. Achten Sie darauf, dass das Blatt in der untersten Position nicht den Drehtisch berührt und vor dem Einschalten des Werkzeugs auch das Werkstück nicht berührt.
 36. Halten Sie den Griff fest. Die Säge kann sich während des Anlauf- bzw. Bremsvorgangs leicht nach oben oder unten bewegen.

BEI VERWENDUNG ALS TISCHKREISSÄGE:

37. Führen Sie keine Freihandarbeiten aus. Freihand bedeutet, dass Sie anstelle eines Parallelanschlags Ihre Hände dazu benutzen, das Werkstück abzustützen oder zu führen.
38. Vergewissern Sie sich, dass der Drehtisch gesichert ist.
39. Vergewissern Sie sich, dass der Arm in Arbeitsposition gesichert ist. Ziehen Sie den Hebel im Uhrzeigersinn an, um den Arm zu befestigen.
40. Benutzen Sie immer Schubstöcke und -blöcke, um zu vermeiden, dass Ihre Hände oder Finger zu nah ans Sägeblatt kommen.
41. Achten Sie vor dem Einschalten des Werkzeugs darauf, dass das Blatt das Werkstück und den Spaltkeil nicht berührt.
42. Heben Sie den Schubstock gut auf, wenn er nicht verwendet wird.
43. Beachten Sie insbesondere die Anweisungen zur Minimierung des Risikos eines RÜCKSCHLAGS. Bei einem RÜCKSCHLAG handelt es sich um eine plötzliche Reaktion auf ein verklemmtes, verbogenes oder falsch angebrachtes Sägeblatt. Ein RÜCKSCHLAG führt dazu, dass das Werkstück rückwärts aus dem Werkzeug in Richtung Bediener ausgestoßen wird. RÜCKSCHLÄGE KÖNNEN ZU SCHWEREN VERLETZUNGEN FÜHREN. Vermeiden Sie RÜCKSCHLÄGE, indem Sie das Blatt scharf halten, den Parallelanschlag parallel zum Blatt einstellen, Spaltkeil und Blattschutz in Ordnung und an ihrer Position halten, das Werkstück nicht loslassen, bis es das Blatt vollständig passiert hat, und indem Sie keine Längsschnitte an einem Werkstück ausführen, das verbogen oder verdreht ist und keine gerade Kante hat, die sich am Anschlag entlangführen lässt.
44. Vermeiden Sie einen abrupten, schnellen Vorschub. Schieben Sie harte Werkstücke so langsam wie möglich vor. Sie dürfen das Werkstück während des Vorschubs weder biegen noch verdrehen. Wenn sich das Blatt im Werkstück verklemmt oder blockiert, schalten Sie das Werkzeug sofort aus. Ziehen Sie den Stecker. Beseitigen Sie die Blockade.
45. Bevor Sie das Werkzeug umdrehen, vergewissern Sie sich, dass der Anschlagstift den Werkzeugkopf sicher in der untersten Position sperrt.

BEWAHREN SIE DIESE ANWEISUNGEN AUF.

INSTALLATION

⚠️ACHTUNG:

Halten Sie den Bodenbereich um das Werkzeug herum gut instand und frei von losem Material wie Späne und Abschnitte.

Werkbankaufstellung

Für voll ausgefahrenen Fuß so einstellen wie den hohen Tisch

Wenn das Werkzeug nicht stabil aufgestellt werden kann, drehen Sie die Einstellmutter am Fuß des Werkzeugs, um Stabilität zu erreichen. Drehen Sie sie von oben betrachtet gegen den Uhrzeigersinn, um den Fuß zu verkürzen und im Uhrzeigersinn, um ihn zu verlängern. Vergewissern Sie sich nach der Einstellung, dass das Werkzeug stabil bleibt.

Abb.1

Bringen Sie die Befestigungsplatten mit dem abgewinkelten Ende nach außen mit Sechskantschrauben an den drei Werkzeughüfen an. Sichern Sie mithilfe der Bohrungen in den Befestigungsplatten und mit drei Schrauben das Werkzeug auf der stabilen und ebenen Oberfläche.

Abb.2

Für eingeklappten Fuß so einstellen wie niedrigen Tisch

Abb.3

Wenn das Werkzeug in der Stellung mit eingeklapptem Fuß bereit ist, sichern Sie es mit den in der Abbildung dargestellten U-förmigen Nuten.

FUNKTIONSBESCHREIBUNG

⚠️ACHTUNG:

- Überzeugen Sie sich immer vor dem Einstellen des Werkzeugs oder der Kontrolle seiner Funktion, dass es abgeschaltet und der Stecker aus der Dose gezogen ist.

Blattschutz

Abb.4

Abb.5

Abb.6

⚠️ACHTUNG:

- Vergewissern Sie sich, dass der Handgriff nicht ohne Drücken des Hebels neben dem linken Griff gesenkt werden kann.
- Vergewissern Sie sich, dass die unteren Blattschutze A sich nicht öffnen, solange nicht der Hebel neben dem Handgriff in die obere Position des Griffs gedrückt wird.
- Stellen Sie immer sicher, dass der untere Blattschutz C angebracht ist, bevor Sie Gehrungsschnitte vornehmen.

Wird der Handgriff abgesenkt und gleichzeitig der Hebel nach links gedrückt, hebt sich der Blattschutz A automatisch. Der untere Blattschutz B hebt sich bei Kontakt mit dem Werkstück. Die unteren Blattschutze sind mit einer Sprungfeder versehen und kehren daher in ihre Ausgangsstellung zurück, wenn der Schnitt vollendet ist und der Handgriff angehoben wird. Der obere Blattschutz fällt flach auf die Tischoberfläche, nachdem das Werkstück ihn passiert hat. ENTFERNEN SIE NIEMALS DIE UNTEREN BLATTSCHUTZE, DIE FEDER, DIE MIT DEM UNTEREN BLATTSCHUTZ VERBUNDEN IST, ODER DEN OBEREN BLATTSCHUTZ außer wie unten angeben.

Im Interesse Ihrer eigenen Sicherheit sollten Sie jeden Blattschutz stets in ordnungsgemäßem Zustand halten. Etwaige Mängel der Blattschutze müssen unverzüglich behoben werden. Überprüfen Sie, dass die unteren Blattschutze durch die Sprungfeder ordnungsgemäß in ihre Positionen zurückkehren. VERWENDEN SIE DAS WERKZEUG NIEMALS, WENN DER UNTERE BLATTSCHUTZ, DIE FEDER ODER DER OBERE BLATTSCHUTZ BESCHÄDIGT ODER DEFEKT IST ODER ENTFERNT WURDE, außer wie unten beschrieben. ANDERNFALLS IST DIE VERWENDUNG ÄUSSERST GEFÄHRLICH UND KANN SCHWERE PERSONENSCHÄDEN VERURSACHEN.

ANMERKUNG:

- Folgende Ausnahmen gelten für das Entfernen der Schutzvorrichtungen. Nur bei Verwendung als Tischkreissäge wird der untere Blattschutz C entfernt. Nur bei Verwendung als Gehrungssäge wird der obere Blattschutz entfernt.

Wenn einer der transparenten Blattschutze schmutzig wird oder soviel Sägemehl an ihm haftet, dass das Sägeblatt nicht mehr ohne weiteres sichtbar ist, sollten Sie den Netzstecker der Säge ziehen und den Blattschutz mit einem feuchten Tuch sorgfältig reinigen. Verwenden Sie keine Lösungsmittel oder Reinigungsmittel auf Petroleumbasis zum Reinigen der Blattschutzes.

Wenn der untere Blattschutz A stark verschmutzt ist und eine Sicht durch den Schutz nicht mehr möglich ist, gehen Sie wie folgt vor. Heben Sie den Handgriff vollständig. Entfernen Sie das Sägeblatt (Siehe Abschnitt "Montage und Demontage des Sägeblatts".) Heben Sie den unteren Blattschutz A, während Sie gleichzeitig den Hebel nach links drücken. In dieser Position kann der untere Blattschutz A umfassender und effizienter gereinigt werden. Nach der Reinigung wiederholen Sie die obigen Schritte in umgekehrter Reihenfolge.

Wenn für den oberen Blattschutz das Gleiche gilt wie oben beschrieben, drücken Sie die Taste auf dessen Vorderseite in Richtung obere Oberfläche und entfernen den oberen Blattschutz. Bringen Sie ihn nach der Reinigung immer wieder sicher an.

Wenn sich der Blattschutz mit der Zeit oder durch Sonneneinstrahlung verfärbt, wenden Sie sich an ein Makita-Servicecenter, um einen neuen Blattschutz zu erhalten. ENTFERNEN SIE DIE SCHUTZVORRICHTUNGEN NICHT UND MACHEN SIE SIE NICHT UNWIRKSAM.

Beibehaltung der maximalen Schnittleistung Abb.7

Dieses Werkzeug ist werkseitig so eingestellt, dass die maximale Schnittleistung mit einem 260-mm-Sägeblatt erreicht wird.

Überprüfen Sie beim Anbringen eines neuen Sägeblatts den unteren Sägeblattanschlag und passen Sie ihn bei Bedarf wie folgt an:

⚠ACHTUNG:

- Zunächst muss für diese Einstellung das Werkzeug ausgesteckt werden.

Zunächst muss das Werkzeug ausgesteckt werden. Senken Sie den Handgriff völlig ab. Drehen Sie die Einstellschraube mit dem Schlüssel, bis der Sägeblattumfang am Berührungspunkt von Gehrungsanschlag-Vorderseite und Drehteller-Oberfläche geringfügig unterhalb der Drehtisch-Oberfläche liegt.

Drehen Sie das Sägeblatt bei abgezogenem Netzstecker von Hand, während Sie den Handgriff in der Tiefstellung halten, um sicherzugehen, dass das Sägeblatt keinen Teil des Auflageschutzes berührt. Bei Bedarf ist eine Nachjustierung vorzunehmen.

⚠ACHTUNG:

- Vergewissern Sie sich nach der Montage eines neuen Sägeblatts stets, dass das Sägeblatt in der Tiefstellung des Handgriffs keinen Teil des Auflageschutzes berührt. Nehmen Sie diese Überprüfung stets bei abgezogenem Netzstecker vor.

Dieses Werkzeug lässt sich mit und ohne den unteren Grenzstopper verwenden, indem der untere Grenzstopper wie in der Abbildung verschoben wird.

Zur Verwendung des Werkzeugs ohne unteren Grenzstopper drehen Sie das Ende des Stoppers gegen den Uhrzeigersinn. Die Verwendung in dieser Position ist für breite und dünne Werkstücke geeignet.

Um das Werkzeug ohne unteren Grenzstopper zu verwenden, drehen Sie das Stopperende im Uhrzeigersinn. Die Verwendung in dieser Position ist für dicke Werkstücke geeignet.

Abb.8

Einstellung des Gehrungswinkels

Abb.9

Abb.10

Lösen Sie die Klemmschraube am Gehrungsanschlag durch Drehung gegen den Uhrzeigersinn. Drehen Sie den Drehtisch am Handgriff. Wenn Sie den Handgriff auf

die Position bewegt haben, an der der Zeiger auf den gewünschten Winkel der Gehrungswinkelskala zeigt, ziehen Sie die Klemmschraube im Uhrzeigersinn fest.

⚠ACHTUNG:

- Bringen Sie den Handgriff in die Hochstellung, wenn Sie den Drehtisch drehen.
- Sichern Sie den Drehtisch nach jeder Änderung des Gehrungswinkels stets durch Anziehen der Klemmschraube gegen Verdrehen.

Einstellen des Neigungswinkels

Bei Verwendung als Gehrungssäge

Abb.11

Abb.12

Zum Einstellen des Neigungswinkels lösen Sie den Hebel an der Rückseite des Werkzeugs gegen den Uhrzeigersinn.

Schwenken Sie den Handgriff nach links, um das Sägeblatt zu neigen, bis der Zeiger auf den gewünschten Winkel der Neigungswinkelskala zeigt. Ziehen Sie dann den Hebel im Uhrzeigersinn an, um den Arm ordnungsgemäß zu befestigen.

⚠ACHTUNG:

- Bringen Sie den Handgriff in die Hochstellung, bevor Sie das Sägeblatt neigen.
- Sichern Sie den Arm nach jeder Änderung des Neigungswinkels stets durch Anziehen des Hebels im Uhrzeigersinn.

Bei Verwendung als Tischkreissäge

Abb.13

Zum Einstellen des Neigungswinkels lösen Sie den Hebel unter dem Tisch des Werkzeugs gegen den Uhrzeigersinn.

Bewegen Sie den Tiefeneinstellknopf nach links, um das Sägeblatt zu neigen, bis der Zeiger auf den gewünschten Winkel der Neigungswinkelskala zeigt. Ziehen Sie dann den Hebel im Uhrzeigersinn an, um den Arm ordnungsgemäß zu befestigen.

Einschalten

Abb.14

Schalter zur Verwendung als Gehrungssäge

⚠ACHTUNG:

- Kontrollieren Sie immer vor dem Anschluss des Werkzeugs in die Steckdose, ob der Schalthebel richtig funktioniert und nach dem Loslassen in die ausgeschaltete Position zurückkehrt.
- Wenn Sie das Werkzeug nicht verwenden, entfernen Sie die Entsperrungstaste und bewahren sie an einem sicheren Ort auf. Dies verhindert unbefugten Betrieb.
- Ziehen Sie nicht mit Gewalt am Hebelschalter, ohne dabei die Entsperrungstaste zu betätigen. Dies kann zu einer Beschädigung des Schalters führen.

Damit der Hebelschalter nicht versehentlich gezogen wird, befindet sich am Werkzeug eine Entsperrungstaste. Zum Start des Werkzeugs müssen Sie den Entsperrungshebel nach links drücken, die Entsperrungstaste hineindrücken und dann den Hebelschalter ziehen. Lassen Sie den Hebelschalter los, um das Werkzeug auszuschalten.

Schalter zur Verwendung als Tischkreissäge

⚠ACHTUNG:

- Stellen Sie vor dem Betrieb sicher, dass das Werkzeug ein- und ausgeschaltet ist.
- Betätigen Sie zum Starten des Werkzeugs den EIN-Schalter (I). Betätigen Sie zum Stoppen des Werkzeugs den AUS-Schalter (0).

Einstellen der Schnitttiefe

Abb.15

Die Schnitttiefe kann durch Drehen des Schnitttiefen-Einstellknopfes eingestellt werden. Drehen Sie den Schnitttiefen-Einstellknopf im Uhrzeigersinn, um das Blatt zu heben, und dagegen, um es zu senken.

⚠WARNUNG:

- Verwenden Sie für saubere Schnitte bei dünnen Materialien eine flache Tiefeneinstellung.

⚠ACHTUNG:

- Der Anschlagstift kann nicht gedreht werden, wenn der Werkzeugkopf ganz herabgelassen ist. Drehen Sie in diesem Fall den Knopf gegen den Uhrzeigersinn, um den Anschlagstift freizugeben.

Abb.16

MONTAGE

⚠ACHTUNG:

- Ehe Sie am Werkzeug irgendwelche Arbeiten beginnen, überzeugen Sie sich immer vorher, dass es abgeschaltet und der Stecker aus der Dose gezogen ist.

Aufbewahrung des Steckschlüssels

Abb.17

Der Steckschlüssel lässt sich wie in der Abbildung dargestellt aufbewahren. Wenn Sie den Steckschlüssel verwenden möchten, ziehen Sie ihn aus dem Schlüsselhalter. Nach Verwendung des Steckschlüssels stecken Sie ihn wieder in den Schlüsselhalter.

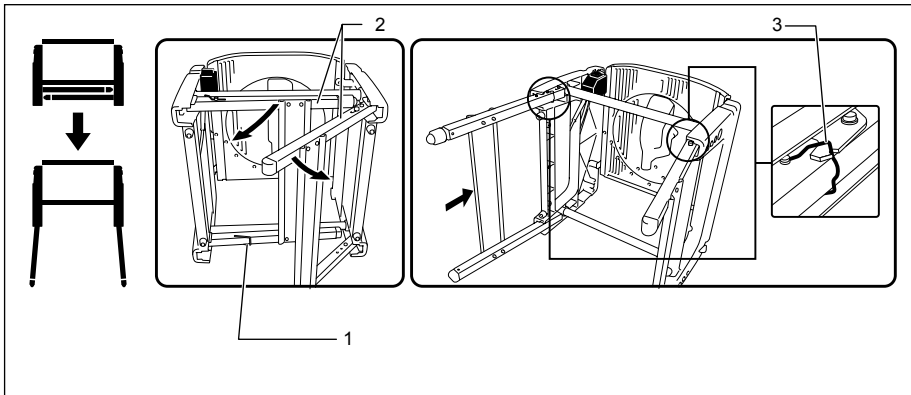
Zwei-Wege-Einstellung der Tischhöhe

Die Tischhöhe lässt sich auf zwei Arten einstellen, hoher oder niedriger Tisch.

⚠WARNUNG:

- Bevor Sie das Werkzeug nach hinten fallen lassen, stellen Sie es immer in die Betriebsart Gehrungssäge und sichern den Werkzeugkopf in der unteren Position.

1. Einstellung hoher Tisch



1. Haken
2. FüÙe
3. Anschlagshaken

006043

Um das Werkzeug mit hohem Tisch einzustellen, gehen Sie wie folgt vor.

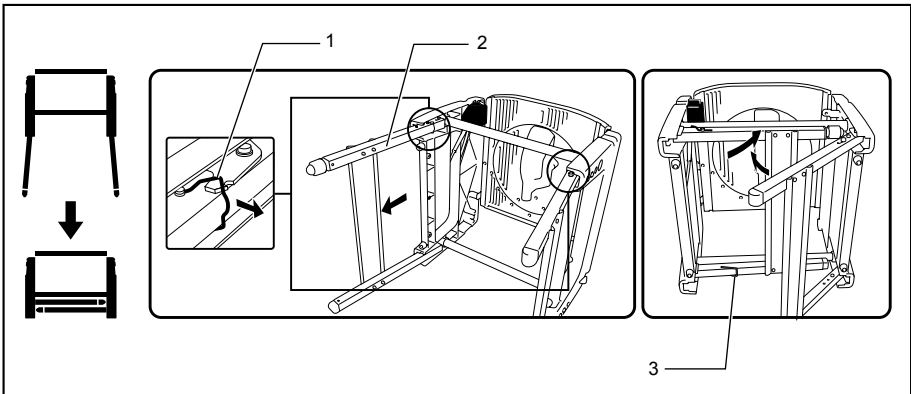
- (1) Lassen Sie das Werkzeug vorsichtig NACH HINTEN fallen, während Sie es mit beiden Händen festhalten.
- (2) Drehen Sie den Haken in Pfeilrichtung der Abbildung, um die FüÙe zu zerlegen. Öffnen Sie die TischfüÙe auf einer Seite, und drücken Sie die untere Schiene der FüÙe voll vorwärts, bis sie einrasten. Gehen Sie für die

FüÙe auf der anderen Seite genauso vor. Achten Sie darauf, dass die FüÙe auf beiden Seiten komplett gesperrt sind.

⚠ WARNUNG:

- Vergewissern Sie sich, dass sich die Anschlagshaken genau in der Rille der Klammer befinden.
- (3) Stellen Sie das Werkzeug wieder aufrecht.

2. Einstellung niedriger Tisch



1. Anschlagshaken
2. FüÙe
3. Haken

006044

Die FüÙe können wie in der Abbildung dargestellt zusammengeklappt werden. Um das Werkzeug nach unten zu klappen, gehen Sie wie folgt vor.

- (1) Lassen Sie das Werkzeug vorsichtig NACH HINTEN fallen, während Sie es mit beiden Händen festhalten.
- (2) Ziehen Sie zunächst den Anschlag an der

Verbindung des linken Fußes zu sich hin, um ihn zu lösen.

- (3) Gehen Sie für die Füße auf der anderen Seite genauso vor wie oben.
- (4) Bündeln Sie diese Füße mit einem Haken.
- (5) Stellen Sie das Werkzeug wieder aufrecht.

Montage und Demontage des Sägeblatts

⚠️ACHTUNG:

- Schalten Sie das Werkzeug aus und ziehen Sie den Stecker, bevor Sie das Sägeblatt einsetzen oder entfernen.
- Verwenden Sie nur den mitgelieferten Sechskantschlüssel von Makita zum Demontieren oder Montieren des Sägeblatts. Andernfalls besteht die Gefahr, dass die Sechskantschraube zu stark oder zu schwach angezogen wird. Dies kann zu Verletzungen führen.

Bewegen Sie den Handgriff ganz nach oben.

Blockieren Sie die Spindel durch Drücken der Spindelarretierung, und lösen Sie die Sechskantschraube durch Drehung des Steckschlüssels im Uhrzeigersinn.

Abb.18

Heben Sie den Blattschutz A an seinem entsprechenden Hebel an, während Sie gleichzeitig den Hebel neben dem Handgriff nach links drücken. Bei angehobenem Blattschutz A entfernen Sie Sechskantschraube, Außenflansch und Blatt.

Abb.19

Zum Montieren schieben Sie das Sägeblatt vorsichtig auf die Spindel, wobei Sie darauf achten, dass der Pfeil auf dem Sägeblatt in dieselbe Richtung zeigt wie der Pfeil auf dem Sägeblattgehäuse. Bringen Sie Außenflansch und Sechskantschraube an, und ziehen Sie dann die Sechskantschraube (linksgängig) bei gedrückter Spindelarretierung durch Drehung des Steckschlüssels gegen den Uhrzeigersinn fest.

Abb.20

Abb.21

ANMERKUNG:

- Achten Sie bei der Montage eines Sägeblatts darauf, es zunächst zwischen dem Blattschutz B einzusetzen und dann anzuheben, so dass sich das Blatt anschließend in Blattschutz B befindet.

Für alle Länder außerhalb Europas

Abb.22

⚠️ACHTUNG:

- Der silberne Ring mit einem äußeren Durchmesser von 25,4 mm ist werkseitig auf der Spindel befestigt. Der schwarze Ring mit einem äußeren Durchmesser von 25 mm wird als Standardausstattung mitgeliefert. Bevor Sie das Sägeblatt auf der Spindel anbringen, sollten Sie immer sicherstellen, dass der richtige Ring für das

Spindel Loch des Sägeblatts, das Sie verwenden möchten, auf der Spindel angebracht ist.

Für europäische Länder

⚠️ACHTUNG:

- Der silberne Ring mit einem äußeren Durchmesser von 30 mm ist werkseitig zwischen Innen- und Außenflansch befestigt.

Bringen Sie den unteren Blattschutz A wieder in seine Ausgangsstellung. Senken Sie den Handgriff ab, um zu prüfen, ob sich der untere Blattschutz einwandfrei bewegt. Stellen Sie sicher, dass die Spindelarretierung die Spindel gelöst hat, bevor Sie einen Schnitt machen.

Einstellen des Spaltkeils

Abb.23

Zwischen dem Spaltkeil und den Zähnen des Blattes muss ein Abstand von 5 - 6 mm sein, wenn Sie den Spaltkeil voll gegen das Blatt drücken. Stellen Sie den Spaltkeil entsprechend ein, indem Sie zunächst die Befestigungsmutter von Hand gegen den Uhrzeigersinn lösen und dann die Sechskantschraube gegen den Uhrzeigersinn mit dem Sechskantschlüssel und dann den Abstand messen. Nach der Einstellung ziehen Sie die Sechskantschraube und dann die Befestigungsmutter fest im Uhrzeigersinn an. Prüfen Sie vor dem Schneiden immer, ob der Spaltkeil gesichert ist und der Blattschutz reibungslos funktioniert.

Abb.24

Die Montageposition des Spaltkeils ist werkseitig so eingestellt, dass sich Blatt und Spaltkeil nach der von Ihnen vorgenommenen einfachen Einrichtung in einer geraden Linie befinden. Zur Einrichtung siehe den Abschnitt "Neupositionierung des Spaltkeils".

Abb.25

⚠️ACHTUNG:

- Wenn Blatt und Spaltkeil nicht korrekt ausgerichtet sind, kann es während des Betriebs zu gefährlichen Verklemmungssituationen kommen. Achten Sie darauf, dass sich der Spaltkeil von oben betrachtet zwischen den beiden äußeren Enden der Sägeblattzähne befindet. Ohne einen korrekt ausgerichteten Spaltkeil kann es zu schweren Personenschäden kommen. Wenn die Ausrichtung aus irgendeinem Grund nicht korrekt ist, lassen Sie das Werkzeug von einem von Makita autorisierten Servicecenter reparieren.
- Um den Abstand zwischen Spaltkeil und Sägeblattzähnen einzustellen, lösen Sie die Sechskantschraube immer erst, nachdem Sie die Befestigungsmutter gelöst haben.

Montage und Einstellung des Parallelenschlags

Abb.26

1. Bringen Sie den Parallelenschlag so am Tisch an, dass der Parallelenschlagshalter an der

Führungsschiene eingreift. Ziehen Sie die Klemmschraube (B) am Parallelanschlag fest im Uhrzeigersinn an.

2. Lösen Sie die Klemmschraube (A).
3. Verschieben Sie den Parallelanschlag und sichern Sie ihn so, dass sein von Ihnen entfernt liegendes Ende an dem Punkt ausgerichtet ist, an dem die vordere Kante des Sägeblatts gerade aus der oberen Oberfläche des Werkstücks hervortritt. Sinn dieser Einstellung ist es, das Risiko eines Rückschlags für den Bediener zu vermindern, das entstehen kann, wenn sich ein Abschnitt des Werkstücks zwischen Sägeblatt und Parallelanschlag verklemmt und so in Richtung Bediener geschleudert wird. Zeile (A) variiert je nach Stärke des Werkstücks und Tischhöhe. Stellen Sie die Position des Parallelanschlags je nach Stärke des Werkstücks ein.

Nach Einstellen des Parallelanschlags ziehen Sie die Klemmschraube (A) fest an.

Abb.27

ANMERKUNG:

- Es gibt vier Muster, nach denen sich die Position des Parallelanschlags wie in der Abbildung einstellen lässt. Der Parallelanschlag hat zwei Schlitze an den Seiten, einen mit einem erhöhten Rand daneben auf der gleichen Seite und einen anderen ohne. Verwenden Sie die Oberfläche des Parallelanschlags mit diesem Rand in Richtung Werkstück nur für Abschnitte eines dünnen Werkstücks.

Abb.28

ANMERKUNG:

- Um das Muster des Parallelanschlags zu ändern, entfernen Sie den Parallelanschlag aus seiner Halterung, indem Sie die Klemmschraube (A) lösen und die Ausrichtung des Parallelanschlags zu seiner Halterung so ändern, dass er Ihrer Arbeit entspricht, wie in der Abbildung dargestellt. Legen Sie die Vierkantmutter am Parallelanschlagshalter in das hintere Ende eines der beiden Schlitze im Parallelanschlag ein, so dass sie wie in der Abbildung dargestellt anliegen.

Für eine Änderung von Muster A oder B nach Muster C oder D oder andersherum entfernen Sie Vierkantmutter und Klemmschraube (A) vom Parallelanschlagshalter und positionieren Klemmschraube (A) und Vierkantmutter in der gegenüberliegenden Stellung des Parallelanschlagshalters verglichen mit der Ausgangsposition. Ziehen Sie die Klemmschraube (A) nach Einlegen der Vierkantmutter des Parallelanschlagshalters im Schlitz des Parallelanschlags fest an.

Legen Sie die Vierkantmutter am Parallelanschlagshalter im hinteren Ende eines der beiden Schlitze im Parallelanschlag so ein, dass sie wie in der Abbildung gezeigt anliegt.

Abb.29

Der Parallelanschlag ist werkseitig so eingestellt, dass er parallel zur Oberfläche des Blattes liegt. Achten Sie darauf, dass er parallel ist. Um zu überprüfen, ob sich der Parallelanschlag parallel zum Blatt befindet, stellen Sie die Blatthöhe mit dem Schnitttiefen-Einstellknopf so ein, dass sich das Blatt in der obersten Position zum Tisch befindet. Markieren Sie einen der Sägezähne mit Kreide. Messen Sie den Abstand (A) und (B) zwischen Parallelanschlag und Blatt. Nehmen Sie beide Messungen an dem mit Kreide markierten Zahn vor. Die beiden Messungen müssen identisch sein. Wenn der Parallelanschlag nicht parallel zum Blatt ist, gehen Sie wie folgt vor:

Abb.30

- (1) Drehen Sie die Einstellschraube gegen den Uhrzeigersinn.

Abb.31

Abb.32

- (2) Verschieben Sie das vordere Ende des Parallelanschlags leicht nach rechts oder links, bis er parallel zum Blatt liegt.
- (3) Ziehen Sie die Einstellschrauben am Parallelanschlag fest an.

⚠ACHTUNG:

- Der Parallelanschlag muss so angebracht werden, dass er sich parallel zum Blatt befindet, da es ansonsten zu gefährlichen Rückschlägen kommen kann.
- Der Parallelanschlag muss so angebracht werden, dass er weder den oberen Blattschutz noch das Blatt berührt.
- Verrücken und tragen Sie das Werkzeug nicht am Parallelanschlag.
- Das Anheben des montierten Parallelanschlags oder das Hin- und Herschieben nach links und rechts von Hand an dessen oberem Ende kann ihn beschädigen und seine Funktion beeinträchtigen.

Montage und Einstellung der

Gehrungsfugenlehre

Abb.33

Bringen Sie die Gehrungsfugenlehre an, indem Sie ihren Schaft in eine der beiden Rillen im Tisch von vorn einschieben. Ein Gehrungsanschlag, der auch als Parallelanschlag verwendet werden kann, kann entsprechend Ihrer Arbeit an der Gehrungsfugenlehre angebracht werden.

Staubbeutel

Abb.34

Der Staubbeutel ermöglicht sauberes Arbeiten und einfaches Staubsammeln. Zum Anbringen wird der Staubbeutel auf den Absaugstutzen geschoben.

Wenn der Staubbeutel etwa halb voll ist, sollten Sie ihn vom Werkzeug entfernen und den Verschluss herausziehen. Leeren Sie den Inhalt des Staubbeutels, und schnippen Sie leicht dagegen, damit sich Partikel lösen, die möglicherweise an der Innenseite haften und eine weitere Sammlung behindern können.

Abb.35

Wenn Sie einen Staubsauger an Ihre Säge anschließen, können Sie effizienter und sauberer arbeiten.

Abb.36

Bogenrohr

Abb.37

⚠ACHTUNG:

- Richten Sie die Auswurföffnung des Bogenrohrs in eine Richtung, in welcher Staub und Späne nicht das Werkzeug oder Personen im Arbeitsbereich treffen können.

Schließen Sie das Bogenrohr an, um die Richtung des Staubauswurfs zu ändern.

Sicherung des Werkstücks

⚠WARNING:

- Die einwandfreie Sicherung des Werkstücks mit der Schraubklemme ist äußerst wichtig. Nachlässigkeit in diesem Punkt kann zu einer Beschädigung des Werkzeugs und/oder Zerstörung des Werkstücks führen. ES BESTEHT VERLETZUNGSGEFAHR. Außerdem sollte das Sägeblatt nach erfolgtem Schnitt erst nach völligem Stillstand angehoben werden.

Vertikal-Schraubklemme

Abb.38

Die Vertikal-Schraubklemme kann an zwei Positionen entweder auf der linken oder rechten Seite des Gehrungsanschlags montiert werden. Setzen Sie den Stehbolzen in die Bohrung des Gehrungsanschlags ein, und sichern Sie ihn durch Anziehen der Klemmschraube.

Stellen Sie den Schraubklemmenarm auf die Abmessungen des Werkstücks ein, und sichern Sie ihn durch Anziehen der Klemmschraube. Wenn die Schraube zur Sicherung des Schraubklemmenarms den Gehrungsanschlag berührt, bringen Sie sie auf der anderen Seite des Schraubklemmenarms an. Vergewissern Sie sich, dass keine Werkzeuggesteile mit der Schraubklemme in Berührung kommen, wenn der Handgriff ganz abgesenkt wird. Falls irgendwelche Teile mit der Schraubklemme in Berührung kommen, ist die Schraubklemme zu versetzen.

Drücken Sie das Werkstück flach gegen

Gehrungsanschlag und Drehtisch. Bringen Sie das Werkstück in die gewünschte Schnittposition, und sichern Sie es einwandfrei durch Anziehen des Schraubklemmenkopfes.

⚠ACHTUNG:

- Das Werkstück muss am Gehrungsanschlag sowie am Drehtisch gesichert werden.

Einrichten des Werkzeugs als Tischkreissäge

⚠ACHTUNG:

- Vor der Verwendung als Tischkreissäge ist zu beachten, dass der Drehtisch bei einem Gehrungswinkel von 0° mit den Klemmschrauben am Gehrungsanschlag gesichert werden muss.
- Vor der Verwendung als Tischkreissäge ist zu beachten, dass der Werkzeugkopf mit dem Hebel gesichert werden muss.
- Vor der Verwendung als Tischkreissäge ist zu beachten, dass der Spaltkeil ordnungsgemäß in seiner Position gesichert werden muss.
- Vor der Verwendung als Tischkreissäge entfernen Sie den unteren Blattschutz C.
- Bei Verwendung als Tischkreissäge lösen Sie den unteren Grenzstopper.

Bei der Auslieferung des Werkzeugs ist dieses als Gehrungssäge eingerichtet. Vor der Verwendung als Tischkreissäge müssen Sie die Einrichtung gemäß der Prozedur unten ändern.

1. Sichern des Drehtisches

Abb.39

Um den Drehtisch zu sichern, ziehen Sie die Klemmschraube am Gehrungsanschlag bei einem Gehrungswinkel von 0° fest an.

2. Sichern des Werkzeugkopfes

Abb.40

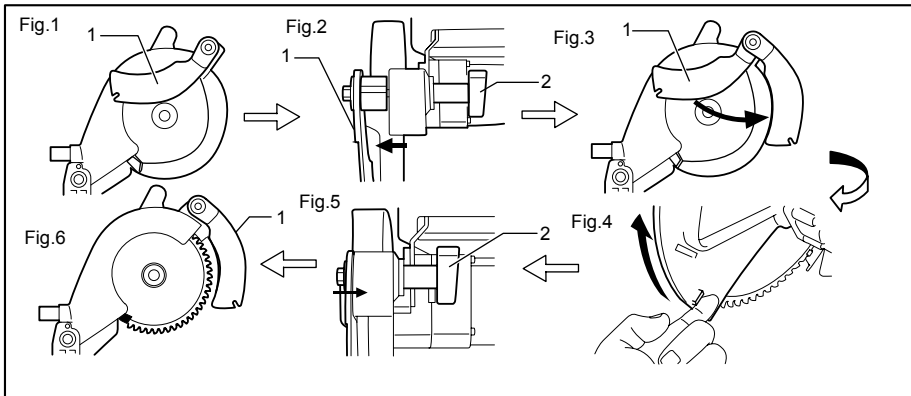
Sichern Sie den Werkzeugkopf, indem Sie den Hebel wie in der Abbildung in Pfeilrichtung anziehen.

3. Lösen des unteren Grenzstoppers

Abb.41

Vergewissern Sie sich, dass sich das Ende des unteren Grenzstoppers in Position A in der Abbildung befindet. Drehen Sie das Ende des unteren Grenzstoppers gegen den Uhrzeigersinn in Position A, wenn er sich in Position B befindet.

4. Neupositionierung des Spaltkeils



1. Spaltkeil
2. Befestigungsmutter
006068

Die Position (Abb. 1) wird wie folgt geändert.

- (1) Lösen Sie die Befestigungsmutter (Abb. 2).
- (2) Ziehen und drehen Sie den Spaltkeil in Position in einem Winkel von 90° in Pfeilrichtung (Abb. 3). Drücken Sie ihn leicht hinein, so dass er in dieser Position still steht.
- (3) Heben Sie den unteren Blattschutz A per Hand an seinem Ansatz an, während Sie gleichzeitig den Hebel neben dem Handgriff nach links drücken, und lassen Sie dann diesen Hebel los (Abb. 4).
- (4) Drücken Sie den Spaltkeil in Pfeilrichtung (siehe Abb. 5), so dass er mit dem Sägeblatt ausgerichtet ist.
- (5) Nach Drücken des Spaltkeils in Pfeilrichtung in der Abbildung lassen Sie den unteren Blattschutz A los.
- (6) Nach Einstellen des Spaltkeils ziehen Sie die Befestigungsmutter fest an (siehe Abb. 6).

5. Entfernen des unteren Blattschutzes C

Abb.43

Entfernen Sie den unteren Blattschutz C vom Tisch, indem Sie die Klemmschraube lösen.

6. Sperren des Werkzeugkopfes in der untersten Position

Abb.43

Abb.44

Nach Einrichten des Spaltkeils in der korrekten Position für die Verwendung als Tischkreissäge ziehen Sie den Stopper in Richtung von Pfeil A und drehen ihn auf einen Winkel von 90° in Richtung von Pfeil B bei gezogenem Stopper. Senken Sie dann den Griff, um den Werkzeugkopf zu sperren.

⚠️ ACHTUNG:

- Wenn sich der Werkzeugkopf nicht in der untersten Position sichern lässt, drehen Sie den Tiefeneinstellknopf um mehrere Umdrehungen im Uhrzeigersinn.
- Bevor Sie das Werkzeug umdrehen, vergewissern Sie sich, dass der Anschlagstift den Werkzeugkopf sicher in der untersten Position sperrt.

7. Umdrehen des Werkzeugs

⚠️ WARNUNG:

- Schalten Sie das Werkzeug aus und ziehen Sie den Stecker, bevor Sie es umdrehen.
- Wenn Sie den Hebel herunterdrücken, halten Sie Ihre Finger weg vom Hebel-Tisch-Einstellbereich.

Abb.45

Halten Sie die mittlere Kante des Tisches mit der einen Hand, drücken Sie den Hebel mit der anderen Hand herunter, während Sie die Tischkante festhalten, und drehen Sie den Tisch vorsichtig herum. Halten Sie ihn, bis er einrastet.

8. Montage des oberen Blattschutzes

Abb.46

Drücken Sie den Druckknopf des oberen Blattschutzes auf seiner seitlichen Oberfläche, platzieren Sie ihn bei gedrücktem Knopf in der Kerbe des Spaltkeils, und lassen Sie den Knopf dann los.

Überprüfen Sie nach Loslassen des Knopfes, ob der obere Blattschutz gesichert ist, indem Sie versuchen, ihn herausziehen.

⚠️ ACHTUNG:

- Überprüfen Sie nach Anbringen des oberen Blattschutzes, ob er sich reibungslos bewegen

lässt.

Einrichten des Werkzeugs als Gehrungssäge

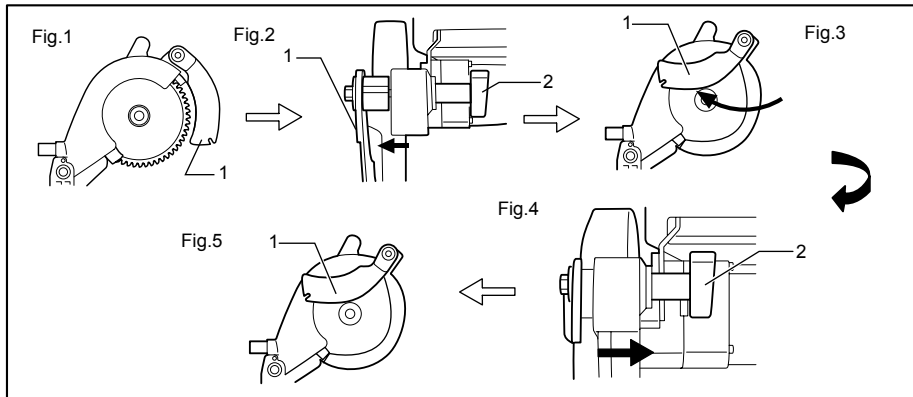
⚠️ WARNUNG:

- Stellen Sie immer sicher, dass der untere Blattschutz C angebracht ist, bevor Sie das Werkzeug als Gehrungssäge verwenden.

Um aus der Tischkreissäge eine Gehrungssäge zu machen, folgen Sie den Schritten in "Einrichten des Werkzeugs als Tischkreissäge" in umgekehrter Reihenfolge.

1. Entfernen des oberen Blattschutzes

Drücken Sie den Druckknopf des oberen Blattschutzes auf seiner seitliche Oberfläche, und nehmen Sie dann bei gedrücktem Knopf den oberen Blattschutz einfach nach oben ab.



- 1. Spaltkeil
 - 2. Befestigungsmutter
- 006075

Die Position des Spaltkeils (Abb. 1) wird wie folgt geändert.

- (1) Lösen Sie die Befestigungsmutter und halten Sie den unteren Blattschutz per Hand an seinem Ansatz (Abb. 2).
- (2) Während Sie den unteren Blattschutz A halten, ziehen Sie den Spaltkeil so, dass er sich in Position in Pfeilrichtung dreht (Abb. 3).
- (3) Mit dem Spaltkeil in dieser Position führen Sie den unteren Blattschutz A zurück in seine Ausgangsposition und ziehen die Befestigungsmutter fest an (Abb. 4).

6. Montieren und Entfernen der Zusatzanschläge R und L

Abb.48

⚠️ ACHTUNG:

- Um ein Werkstück mit einer Stärke von mehr als 20 mm zu schneiden, bringen Sie die Zusatzanschläge R und L sicher mit einer Schraube an.
Die Zusatzanschläge R und L zu entfernen ist

2. Montage des unteren Blattschutzes C

Platzieren Sie den unteren Blattschutz C auf dem Tisch, so dass er in den Schlitz des Tisches passt, und ziehen Sie die Klemmschraube fest an.

3. Umdrehen des Werkzeugs

Siehe den genauso betitelten Abschnitt in "Einrichten des Werkzeugs als Tischkreissäge".

4. Lösen des Werkzeugkopfes aus der untersten Position

Abb.47

Während Sie den Griff halten, ziehen Sie den Anschlagstift in Richtung von Pfeil A und drehen ihn auf einen Winkel von 90° in Richtung von Pfeil B bei gezogenem Anschlagstift. Heben Sie dann den Griff langsam an.

5. Neupositionierung des Spaltkeils

praktisch bei breiten und dünnen Werkstücken.

Um ein Werkstück mit einer Stärke von bis 20 mm und mehr als 180 mm Breite zu schneiden, entfernen Sie die Zusatzanschläge R und L durch Lösen der in der Abbildung dargestellten Schraube.

Um ein Werkstück mit einer Stärke von mehr als 20 mm zu schneiden, bringen Sie die Zusatzanschläge R und L sicher mit einer Schraube an.

Die Tabelle unten verdeutlicht den Zusammenhang zwischen der Größe des Werkstücks und der Verwendung/Nichtverwendung der Zusatzanschläge R und L.

Abb.49

	Werkstückgröße (H x B)	Verwendung/Nichtverwendung von Zusatzanschlägen
1	68 mm x 155 mm	mit Zusatzanschlägen
2	20 mm x 210 mm	ohne Zusatzanschläge

006577

ARBEIT

⚠ACHTUNG:

- Achten Sie vor der Verwendung darauf, dass der Handgriff aus der abgesenkten Stellung gelöst wird, indem Sie den Anschlagstift ziehen und ihn in einen Winkel von 90° drehen.
- Achten Sie vor dem Einschalten des Werkzeugs darauf, dass das Sägeblatt das Werkstück usw. nicht berührt.

SCHNEIDEN ALS GEHRUNGSSÄGE

⚠WARNUNG:

- Stellen Sie immer sicher, dass der untere Blattschutz C angebracht ist, bevor Sie Gehrungsschnitte vornehmen.

⚠ACHTUNG:

- Üben Sie beim Schneiden keinen übermäßigen Druck auf den Handgriff aus. Zu starker Druck kann zu Überlastung des Motors und/oder verminderter Schnittleistung führen. Drücken Sie den Griff nur mit soviel Kraft nach unten, wie für einen sauberen Schnitt notwendig ist und ohne dass die Geschwindigkeit des Sägeblatts deutlich verringert wird.
- Drücken Sie den Griff vorsichtig nach unten, um den Schnitt auszuführen. Wenn der Griff mit Gewalt nach unten gedrückt wird oder wenn seitliche Kräfte darauf einwirken, vibriert das Sägeblatt und hinterlässt eine Riefe (Sägeriefe) im Werkstück, wodurch die Genauigkeit des Schnitts beeinflusst wird.

1. Kappschnitt

Abb.50

Sichern Sie das Werkstück gegen Gehrungsanschlag und Drehtisch. Schalten Sie das Werkzeug ein, ohne dass das Sägeblatt Kontakt hat, und warten Sie, bis das Sägeblatt seine volle Drehzahl erreicht, bevor Sie es absenken. Senken Sie dann den Handgriff sachte bis zur Tiefstellung ab, um das Werkstück zu schneiden. Sobald der Schnitt beendet ist, schalten Sie das Werkzeug aus und WARTEN, BIS DAS SÄGEBLATT ZUM VÖLLIGEN STILLSTAND GEKOMMEN IST, bevor Sie das Blatt wieder ganz anheben.

2. Gehrungsschnitt

Nehmen Sie auf den vorhergehenden Abschnitt "Einstellen des Gehrungswinkels" Bezug.

3. Neigungsschnitt

Abb.51

Lösen Sie den Hebel, und neigen Sie das Sägeblatt auf den eingestellten Neigungswinkel. (Nehmen Sie auf den vorhergehenden Abschnitt „Einstellen des Neigungswinkels“ Bezug.) Achten Sie darauf, den Hebel wieder fest anzuziehen, um den gewählten Neigungswinkel zu sichern. Sichern

Sie das Werkstück gegen Gehrungsanschlag und Drehtisch. Schalten Sie das Werkzeug ein, ohne dass das Sägeblatt Kontakt hat, und warten Sie, bis das Sägeblatt seine volle Drehzahl erreicht. Senken Sie dann den Handgriff unter Druckausübung in Richtung des Sägeblatts sachte bis zur Tiefstellung ab. Sobald der Schnitt beendet ist, schalten Sie das Werkzeug aus und WARTEN, BIS DAS SÄGEBLATT ZUM VÖLLIGEN STILLSTAND GEKOMMEN IST, bevor Sie das Blatt wieder ganz anheben.

⚠ACHTUNG:

- Achten Sie bei Neigungsschnitten immer darauf, dass sich das Sägeblatt in Neigungsrichtung nach unten bewegt. Halten Sie die Hände vom Weg des Sägeblatts fern.
- Bei Neigungsschnitten kann es vorkommen, dass das abgeschnittene Stück an der Seitenfläche des Sägeblatts aufliegt. Durch Anheben des Blattes bei noch laufendem Werkzeug kann das Werkstück vom Sägeblatt erfasst werden, was zu gefährlichem Herausschleudern von Bruchstücken führen kann. Das Blatt darf erst angehoben werden, nachdem das Sägeblatt zum völligen Stillstand gekommen ist.
- Üben Sie den Druck beim Herunterdrücken des Handgriffs immer nur parallel zum Sägeblatt aus. Wenn der Druck während eines Schnitts nicht parallel zum Sägeblatt ausgeübt wird, kann sich der Winkel des Sägeblatts verändern, worunter die Genauigkeit des Schnitts leidet.

4. Compoundsschnitt

Unter Compoundsschnitt versteht man das Schneiden eines Werkstücks mit gleichzeitiger Gehrungs- und Neigungswinkeleinstellung. Die Kombinationsmöglichkeiten entnehmen Sie bitte der Tabelle.

Neigungswinkel	Gehrungswinkel
45°	Links und rechts 0°- 45°

006366

Wenn Sie Compoundsschnitte ausführen, beachten Sie die Erläuterungen unter "Kappschnitt", "Gehrungsschnitt" und "Neigungsschnitt".

5. Schneiden von Aluminiumprofilen

Abb.52

Zur Sicherung von Aluminiumprofilen verwenden Sie - wie in der Abbildung gezeigt - Abstandsböcke oder Zulagen aus Hartholz, um Verformungen des Materials während des Schneidevorgangs zu vermeiden. Benutzen Sie beim Schneiden von dünnwandigen Aluminiumprofilen eine Schneidflüssigkeit, damit sich keine Aluminium-Rückstände am Sägeblatt ansammeln.

⚠️ ACHTUNG:

- Vollmaterialien mit großem Querschnitt und Rundmaterial dürfen nicht bearbeitet werden. Beim Sägevorgang kann sich dickes Material lösen und Rundmaterial kann mit diesem Werkzeug nicht sicher befestigt werden.
- Schneiden Sie nie Aluminium bei Verwendung als Tischkreissäge (Bankbetriebsart).

SCHNEIDEN ALS TISCHKREISSÄGE (BANKBETRIEBSART)

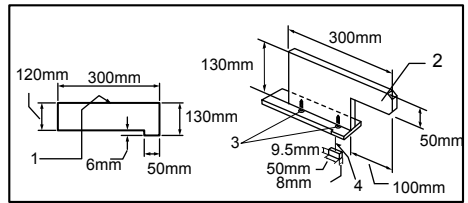
⚠️ ACHTUNG:

- Benutzen Sie immer Arbeitshilfen wie Schubstöcke und -blöcke, wenn die Gefahr besteht, dass Ihre Hände oder Finger nah ans Blatt kommen.
- Halten Sie das Werkstück immer fest gegen den Tisch und den Parallelanschlag. Sie dürfen es während des Vorschubs weder biegen noch verdrehen. Wenn das Werkstück verbogen oder verdreht wird, kann es zu gefährlichen Rückschlägen kommen.
- Ziehen Sie das Werkstück NIE bei laufendem Blatt heraus. Wenn Sie das Werkstück vor Beendigung eines Schnittes herausziehen müssen, schalten Sie zuerst das Werkzeug aus, wobei Sie das Werkstück festhalten. Warten Sie, bis das Blatt sich nicht mehr dreht, bevor Sie das Werkstück herausziehen. Zuwiderhandlungen können zu gefährlichen Rückschlägen führen.
- Entfernen Sie NIE Abschnitte bei laufendem Blatt.
- Halten Sie NIEMALS Ihre Hand oder Ihre Finger in den Weg des Sägeblatts.
- Sichern Sie den Parallelanschlag immer ganz fest, ansonsten kann es zu gefährlichen Rückschlägen kommen.
- Benutzen Sie immer Arbeitshilfen wie Schubstöcke und -blöcke, wenn Sie kleine oder schmale Werkstücke schneiden oder wenn der Querkopf beim Schneiden nicht sichtbar ist.

Arbeitshilfen

Schubstöcke und -blöcke und Hilfsanschläge sind Arbeitshilfen. Verwenden Sie diese für sichere, saubere Schnitte, ohne mit einem Körperteil in Kontakt mit dem Blatt zu geraten.

Schubblock



1. Fläche/Kante parallel
2. Griff
3. Holzschraube
4. Zusammenführen

006080

Verwenden Sie 19 mm-Stück Sperrholz.

Der Griff sollte sich in der Mitte des Sperrholzstücks befinden. Bringen Sie ihn mit Leim und Holzschrauben wie dargestellt an. 9,5 mm x 8 mm x 50 mm kleine Holzstücke müssen immer an das Sperrholz geleimt werden, damit das Blatt bei einem versehentlichen Schnitt in den Block nicht stumpf wird. (Verwenden Sie nie Nägel im Schubblock.)

Hilfsanschlag

Abb.53

Stellen Sie einen Hilfsanschlag aus 9,5 mm- und 19 mm-Sperrholzteilen her.

Längsschnitte

⚠️ ACHTUNG:

- Entfernen Sie für Längsschnitte die Gehrungsfugenlehre vom Tisch.
 - Sorgen Sie beim Schneiden langer und großer Werkstücke immer für ausreichend Unterstützung hinter dem Tisch. Lange Bretter dürfen auf dem Tisch NICHT rutschen oder sich bewegen. Dies kann zum Einklemmen des Sägeblatts führen und somit zu einem gefährlichen Rückschlag und zu schweren Verletzungen. Die Stütze muss genauso hoch sein wie der Tisch.
1. Stellen Sie die Schnitttiefe ein bisschen über der Stärke des Werkstücks ein. Hinweise zu dieser Einstellung finden Sie im Abschnitt "Einstellen der Schnitttiefe".
 2. Stellen Sie den Parallelanschlag auf die gewünschte Schnittbreite, und sichern Sie ihn durch Anziehen der Klemmschraube (A). Achten Sie bei Längsschnitten darauf, dass die beiden Schrauben des Parallelanschlaghalters gesichert sind. Ist dies nicht der Fall, so ziehen Sie sie an.
 3. Schalten Sie das Werkzeug ein und schieben Sie das Werkstück entlang dem Parallelanschlag in das Blatt vor.
 - (1) Bei einer Schnittbreite von 150 mm und mehr schieben Sie das Werkstück vorsichtig per Hand vor. Mit der anderen Hand halten Sie das Werkstück in Position gegen den

Parallelanschlag.

Abb.54

- (2) Bei einer Schnittbreite von 65 mm - 150 mm verwenden Sie den Schubstock, um das Werkstück vorzuschieben.

Abb.55

- (3) Bei einer Schnittbreite von weniger als 65 mm kann der Schubstock nicht verwendet werden, da er den Blattschutz berührt. Verwenden Sie den Hilfsanschlag und Schubblock. Bringen Sie den Hilfsanschlag am Parallelanschlag mit den beiden Klammern "C" an.

Abb.56

Schieben Sie das Werkstück per Hand vor, bis das Ende etwa 25 mm von der vorderen Kante des oberen Tisches entfernt ist. Schieben Sie weiter mit dem Schubblock oben auf dem Hilfsanschlag vor, bis der Schnitt vollendet ist.

Abb.57

Querschnitte

⚠️ACHTUNG:

- Entfernen Sie für Querschnitte den Parallelanschlag vom Tisch.
- Sorgen Sie beim Schneiden langer und großer Werkstücke immer für ausreichend Unterstützung an den Seiten des Tisches. Die Stütze muss genauso hoch sein wie der Tisch.
- Halten Sie die Hände immer vom Weg des Sägeblatts fern.

Gehrungsfugenlehre

Verwenden Sie für die 4 in der Abbildung dargestellten Schnittarten die Gehrungsfugenlehre.

Abb.58

⚠️ACHTUNG:

- Sichern Sie den Knopf an der Gehrungsfugenlehre sorgfältig.
- Vermeiden Sie ein Kriechen von Werkstück und Lehre, indem Sie die Anordnung festhalten, besonders bei Winkelschnitten.
- Halten oder greifen Sie NIE den Teil des Werkstücks, der abgeschnitten werden soll.

Verwendung der Gehrungsfugenlehre

Abb.59

Schieben sie die Gehrungsfugenlehre in die dicken Rillen im Tisch. Lösen Sie den Knopf an der Lehre und stellen Sie sie auf den gewünschten Winkel ein (0° bis 60°). Bringen Sie das Material bündig mit dem Anschlag und schieben Sie es in das Blatt vor.

Hilfszwischenbrett (Gehrungsfugenlehre)

Abb.60

Um bei langen Brettern ein Flattern zu vermeiden, statten Sie die Gehrungsfugenlehre mit einem Hilfszwischenbrett aus. Befestigen Sie es mit Bolzen/Schrauben, nachdem Sie Löcher gebohrt haben. Die Befestigungen dürfen aber nicht aus dem Zwischenbrett hervorstehen.

Transport des Werkzeugs

Abb.61

Vergewissern Sie sich, dass der Netzstecker des Werkzeugs abgezogen ist. Wenn Sie das Werkzeug nur als Gehrungssäge verwenden, sichern Sie das Blatt in der 0°-Neigungswinkelstellung und den Drehtisch im 0°-Gehrungswinkel. Senken Sie den Handgriff ganz ab, und arretieren Sie ihn in der Tiefstellung durch volles Einschieben des Anschlagstifts.

Tragen Sie das Werkzeug durch Halten an dem in der Abbildung gezeigten Werkzeugteil.

Abb.62

⚠️ACHTUNG:

- Sichern Sie immer alle beweglichen Teile, bevor Sie das Werkzeug transportieren.
- Bevor Sie das Werkzeug tragen, stellen Sie es als Gehrungssäge ein.
- Vergewissern Sie sich, dass der untere Blattschutz C am Werkzeug angebracht ist.

WARTUNG

⚠️ACHTUNG:

- Bevor Sie mit der Kontrolle oder Wartung des Werkzeugs beginnen, überzeugen Sie sich immer, dass es ausgeschaltet und der Stecker aus der Steckdose herausgezogen ist.

⚠️WARNUNG:

- Achten Sie für die beste und sicherste Leistung darauf, dass das Sägeblatt immer scharf und sauber ist.

Einstellung des Schnittwinkels

Dieses Werkzeug wurde im Werk sorgfältig eingestellt und justiert. Die Einstellungen können jedoch durch Transporteinflüsse oder unsachgemäße Behandlung beeinträchtigt worden sein. Sollte Ihr Werkzeug einer Nachjustierung bedürfen, gehen Sie folgendermaßen vor:

1. Gehrungswinkel

Abb.63

Die Einstellschrauben für den Gehrungswinkel von 0° befinden sich an vier Positionen.

Lösen Sie die vier Einstellschrauben für den Gehrungswinkel von 0°, indem Sie sie von der Unterseite des Tisches betrachtet gegen den Uhrzeigersinn drehen.

Senken Sie den Handgriff ganz ab, und arretieren

Sie ihn in der Tiefstellung durch Ziehen und Drehen des Anschlagstifts auf einen Winkel von 90° im Uhrzeigersinn. Bringen Sie die Seitenfläche des Sägeblatts mit Hilfe eines Einstelldreiecks, Anschlagwinkels usw. in den rechten Winkel mit der Fläche des Gehrungsanschlags. Ziehen Sie dann die vier Einstellschrauben am unteren Arm von der Unterseite des Tisches fest. Vergewissern Sie sich, dass der Zeiger auf 0° auf der Gehrungswinkelskala zeigt. Ist dies nicht der Fall, so stellen Sie die Zeigerposition durch Lösen der Schraube ein, die den Zeiger sichert. Nach der Einstellung ziehen Sie die Schraube fest an.

Abb.64

2. Neigungswinkel

Abb.65

(1) Neigungswinkel 0°

Senken Sie den Handgriff ganz ab, und arretieren Sie ihn in der Tiefstellung durch Ziehen und Drehen des Anschlagstifts auf einen Winkel von 90° im Uhrzeigersinn. Lösen Sie den Hebel an der Rückseite des Werkzeugs.

Drehen Sie die Einstellschraube für den 0°-Neigungswinkel auf der rechten Seite des unteren Arms um zwei bis drei Umdrehungen entgegen dem Uhrzeigersinn, um das Blatt nach rechts zu neigen.

Bringen Sie die Seitenfläche des Sägeblatts mit Hilfe eines Einstelldreiecks, Anschlagwinkels usw. in den rechten Winkel mit der Drehtisch-Oberfläche, indem Sie die Einstellschraube für den 0°-Neigungswinkel im Uhrzeigersinn drehen.

Abb.66

Vergewissern Sie sich, dass der Zeiger am Drehtisch auf 0° der Neigungswinkelskala am Arm zeigt. Wenn der Zeiger nicht auf 0° zeigt, lösen Sie die Schraube, die den Zeiger sichert, und stellen den Zeiger auf 0° ein.

Abb.67

(2) Neigungswinkel 45°

Diese Einstellung kann erst nach erfolgter Einstellung des 0°-Neigungswinkels durchgeführt werden. Zum Einstellen des linksseitigen 45°-Neigungswinkels lösen Sie den Hebel und neigen das Blatt vollständig nach links. Vergewissern Sie sich, dass der Zeiger am Arm auf 45° der Neigungswinkelskala am Arm zeigt. Falls der Zeiger nicht auf 45° zeigt, drehen Sie von der Unterseite des Tisches aus die Einstellschraube für den 45°-Neigungswinkel auf der linken Seite des Arms, bis der Zeiger auf 45° zeigt.

Kohlenwechsel

Abb.68

Nehmen Sie die Kohlen regelmäßig heraus und wechseln Sie sie. Wenn sie bis zur Grenzmarke verbraucht sind, müssen sie ausgewechselt werden. Die Kohlen müssen sauber sein und locker in ihre Halter hineinfallen. Die beiden Kohlen müssen gleichzeitig ausgewechselt werden. Verwenden Sie ausschließlich gleiche Kohlen.

Schrauben Sie mit einem Schraubenzieher den Kohlenhalterdeckel ab. Wechseln Sie die verschlissenen Kohlen, legen Sie neue ein und schrauben Sie den Deckel wieder auf.

Abb.69

Nach der Verwendung

- Wischen Sie nach der Verwendung Splitter und Staub, die am Werkzeug haften, mit einem Tuch oder etwas ähnlichem ab, um die Lebensdauer zu verlängern. Halten Sie den Blattschutz entsprechend den Hinweisen im vorhergehenden Abschnitt "Blattschutz" sauber. Schmieren Sie die gleitenden Teile mit Maschinenöl ein, um ein Rosten zu verhindern.

Zur Aufrechterhaltung der SICHERHEIT und ZUVERLÄSSIGKEIT des Produkts müssen die Reparaturen und alle Wartungen und Einstellungen von den autorisierten Servicestellen der Firma Makita und unter Verwendung der Ersatzteile von Makita durchgeführt werden.

ZUBEHÖR

⚠️ACHTUNG:

- Für Ihr Werkzeug Makita, das in dieser Anleitung beschrieben ist, empfehlen wir folgende Zubehörteile und Aufsätze zu verwenden. Bei der Verwendung anderer Zubehörteile oder Aufsätze kann die Verletzungsgefahr für Personen drohen. Die Zubehörteile und Aufsätze dürfen nur für ihre festgelegten Zwecke verwendet werden.

Wenn Sie nähere Informationen bezüglich dieses Zubehörs benötigen, wenden Sie sich bitte an Ihre örtliche Servicestelle der Firma Makita.

- Sägeblätter mit Stahl- und Hartmetallschneiden
- Vertikal-Schraubklammer
- Steckschlüssel 13-3
- Staubbeutel
- Einstelldreieck
- Staubfänger (unterer Blattschutz C)
- Schubstock
- Linealsatz (Parallelanschlag)
- Gehrungsfugenlehre
- Befestigungsplatten (3 Stück)
- Sechskantschrauben (3 Stück)
- Bogenrohr
- Obere Abdeckung, Satz (oberer Blattschutz)

MAGYAR

Az általános nézet magyarázata

1-1. Beállítócsavar	22-2. Külső illesztőperem	39-1. Csavar
1-2. Talp	22-3. Fűrészlap	39-2. Vezetőléc
2-1. Rögzített lemez	22-4. Belső illesztőperem	40-1. Kar
2-2. Hatszögletű csavar	22-5. Orsó	41-1. Alsó ütköző
3-1. U-alakú vágatok	22-6. Gyűrű	41-2. Beállítócsavar
4-1. A alsó fűrészlapvédő	23-1. Szorítóanya	42-1. Csavar
4-2. B alsó fűrészlapvédő	23-2. Hatszögletű csavar	43-1. Rögzítőszeg
5-1. A alsó fűrészlapvédő (csak a gérvágófűrész módban kell használni)	23-3. Hasítókés	44-1. Fűrésztartó teljesen leengedett állásban rögzítve
6-1. Nyomógomb	24-1. Hasítókés	45-1. Kar
6-2. Hasítókés	24-2. Fűrészlap	45-2. A kar területe ahova a kezét/ujjat helyezni kell
6-3. Felső fűrészlapvédő (csak asztali fűrész módban kell használni)	25-1. Fűrészlap szélessége	45-3. Beakadó részek
7-1. A forgóasztal felső lapja	25-2. Hasítókés	46-1. Nyomógomb
7-2. Fűrészlap széle	25-3. Hatszögletű csavar	46-2. Hasítókés
7-3. Vezetőléc	26-1. Párhuzamvezetőtartó	46-3. Felső fűrészlapvédő (csak asztali fűrész módban kell használni)
8-1. Alsó ütköző	26-2. Vezetősin	47-1. Rögzítőszeg
8-2. Beállítócsavar	26-3. Szorítócsavar (A)	48-1. Vezetőléc
8-3. Anya	26-4. Szorítócsavar (B)	48-2. R kiegészítő vezetőléc
9-1. Csavar	26-5. Párhuzamvezető	48-3. L kiegészítő vezetőléc
9-2. Vezetőléc	27-1. Párhuzamvezető	48-4. Pecek
10-1. Fogantyú	27-2. Párhuzamvezetőtartó	48-5. Csavar
10-2. Forgóasztal	27-3. A vonal amelyhez hozzá kell igazítani	49-1. Amikor a kiegészítő vezetőléc el van távolítva
11-1. Kar	27-4. Fűrészlap	49-2. Amikor a kiegészítő vezetőléc fel van szerelve
12-1. Fogantyú	27-5. Felső asztal	50-1. Befogó (opcionális kiegészítő)
13-1. Kar	27-6. Munkadarab	51-1. Befogó (opcionális kiegészítő)
13-2. Vágási mélység beállító gomb	28-1. Párhuzamvezető	52-1. Befogó
14-1. Kapcsoló a gérvágófűrész módban	28-2. Párhuzamvezetőtartó	52-2. Távtartó tömb
14-2. Kapcsoló az asztali fűrész módban	28-3. Fűrészlap	52-3. Vezetőléc
14-3. Kireteszelőgomb	29-1. Párhuzamvezető	52-4. Sajtolt alumínium idom
14-4. Kapcsoló kioldógomb	29-2. Párhuzamvezetőtartó	52-5. Távtartó tömb
14-5. Fogantyú	29-3. Négylapfejű anya	53-1. Homloklap/szél párhuzamos
14-6. Kar	29-4. Szorítócsavar (A)	55-1. Nyomórúd
14-7. Bekapcsológomb	29-5. Szorítócsavar (B)	56-1. Segédvezető
14-8. Kikapcsológomb	30-1. Skála	57-1. Nyomótömb
15-1. Vágási mélység beállító gomb	31-1. Párhuzamvezető	57-2. Segédvezető
16-1. Rögzítőszeg	31-2. Párhuzamvezetőtartó	58-1. HARÁNTVÁGÁS
17-1. Dugókulcs	31-3. Beállítócsavar	58-2. GÉRVÁGÁS
17-2. Kulcstartó	32-1. Párhuzamvezető	58-3. FERDEVÁGÁS
18-1. Dugókulcs	32-2. Fűrészlap	58-4. KOMBINÁLT GÉRVÁGÁS (SZÖGEK)
18-2. Tengelyretesz	32-3. Felső fűrészlapvédő	59-1. Horony
18-3. Hatszögletű csavar	33-1. Gérvágó mérce vezetője	59-2. Gérvágó mérce
19-1. Kar	33-2. Gérvágó mérce	59-3. Gomb
19-2. Emelőkar	33-3. Hornyok	61-1. Rögzítőszeg
20-1. Fűrészlap	34-1. Porkifúvó	62-1. A szerszám része, amit szállításkor kel fogni
20-2. B fűrészlapvédő	34-2. Porzsák	64-1. Háromszögvonalzó
21-1. Fűrészlapház	35-1. Porzsák	64-2. Fűrészlap
21-2. Nyíl	35-2. Szorító	64-3. Vezetőléc
21-3. Fűrészlap	37-1. Porkifúvó	65-1. 0° beállítócsavar
21-4. Nyíl	37-2. Könyökcső	
22-1. Hatszögletű csavar	38-1. Befogókar	
	38-2. Befogórúd	
	38-3. Vezetőléc	
	38-4. Befogó gombja	
	38-5. Csavar	

65-2. 45° ferdevágási szög
beállítócsavar
66-1. Háromszögvonalzó
66-2. Fűrészlap

66-3. A forgóasztal felső lapja
67-1. Kar
67-2. Ferdevágó skála
67-3. Mutató

67-4. Forgóasztal
68-1. Határjelzés
69-1. Kefetartó sapka
69-2. Csavarhúzó

RÉSZLETES LEÍRÁS

Modell	LF 1000
Fűrészlap átmérője	260 mm
Furat átmérője	
Európai országok	30 mm
Max. vágási kapacitás (M x SZ) 260 mm átmérőjű fűrészlappal gérvágófűrész módban	

Ferdevágási szög	Gérvágási szög	
	0°	
0°	20 mm x 210 mm	68 mm x 155 mm
	50 mm x 150 mm	
45° (bal)	50 mm x 150 mm	

Max. vágási kapacitás 90°-nál asztali fűrész módban (munkaasztal módban)	70 mm
Üresjárati sebesség (perc ⁻¹)	2700
Asztal mérete (SZ x H)	500 mm x 555 mm
Méreték (H x SZ x M1(1. megj.)/M2(2. megj.)) gérvágófűrész módban	660 mm x 650 mm x 1220 mm / 800 mm
asztali fűrész módban	660 mm x 650 mm x 1060 mm / 845 mm
Tiszta tömeg	32 kg
Biztonsági osztály	II/III

1. megjegyzés M1: Magasság a szerszám fűrésztartójáig
2. megjegyzés M2: Magasság az asztalig

- Folyamatos kutató- és fejlesztőprogramunk eredményeként az itt felsorolt tulajdonságok figyelmeztetés nélkül megváltozhatnak.
- Megjegyzés: A tulajdonságok országról országra különbözhetnek.

END213-4

Jelképek

A következőkben a berendezésen használt jelképek láthatók. A szerszám használata előtt bizonyosodjon meg arról hogy helyesen értelmezi a jelentésüket.



- Olvassa el a használati utasítást.



- KETTŐS SZIGETELÉS



- A repülő törmelék okozta sérülések elkerülése érdekében tartsa lent a fűrésztartót a vágás befejezése után addig, amíg a fűrészlap teljesen meg nem áll.



- Ne tegye a kezét vagy az ujjait a fűrészlap közelébe.



- A saját biztonsága érdekében távolítsa el a forgácsokat, kisméretű anyagdarabokat, stb. az asztalról a használat előtt.



- Áramtalanítsa a szerszámot mielőtt átfordítja azt a tengelye körül.



- Szállításakor megfelelően helyezze a kezeit.



- Ne emelje fel a párhuzamvezető felső végét amikor felszereli vagy eltávolítja azt.



- Csak az EU-országokban
Ne dobjon ki elektromos berendezést háztartási hulladékkal együtt!
Tekintettel az elektronikus és elektromos hulladékokkal foglalkozó 2002/96/EC európai uniós irányelvre és annak a nemzeti törvényekkel összhangban történő alkalmazására, az életkora végét elérő elektromos berendezéseket elkülönítve kell begyűjteni és természetbarát újrafelhasználó üzemben feldolgozni.

ENE061-1

Rendeltetésszerű használat

A szerszám pontos egyenes- és gérvágások végzésére használható faanyagokon. A szerszám gérvágófűrész és asztali fűrész módban is használható, átfordítva az asztalt a tengelye körül.

Tápegység

A szerszám csak a névtáblán feltüntetett feszültségű, egyfázisú váltakozófeszültségű hálózathoz csatlakoztatható. A szerszám az európai szabványok szerinti kettős szigeteléssel van ellátva, így táplálható földelővezeték nélküli csatlakozójelzattól is.

ENG037-1

Csak európai államokra érvényes

Zaj és rezgés

A jellemző A-súlyozott hangnyomás értékek

a hangnyomás értéke: 92 dB(A)

a hangerő értéke: 92 dB(A)

Használjon személyi hallásvédelmi segédeszközt.

A gyorsulás tipikus súlyozott négyzetes középértéke nem nagyobb, mint $2,5 \text{ m/s}^2$.

Ezek az értékek az EN61029-nek megfelelően lettek meghatározva.

ENH015-4

Típus: LF1000

Az Európai Közösség (EC) előírásainak való megfelelési nyilatkozat

A kizárólagos felelősségünkre kijelentjük, hogy ezen termék megfelel a következő szabványok előírásainak; EN61029, EN55014, EN61000, a Tanács 89/336/EEC, 98/37/EC direktíváival összhangban.

A technikai adatok megfelelőségi tanúsítványait a 98/37/EC előírásait betartva a következő tanúsítási szervezet állította ki:

Intertek SEMKO AB, Torshamnsgatan 43, Box 1103, SE-164 22 Kista, Sweden

Yasuhiko Kanzaki **CE2005**



000087

Igazgató

MAKITA INTERNATIONAL EUROPE LTD.

Michigan Drive, Tongwell, Milton Keynes, Bucks MK15 8JD, ENGLAND

Felelős gyártó:

Makita Corporation Anjo Aichi Japan

ENB094-2

KIEGÉSZÍTŐ BIZTONSÁGI ELŐÍRÁSOK A SZERSZÁMRA VONATKOZÓAN

GÉRVÁGÓFŰRÉSZ ÉS ASZTALI FŰRÉSZ (MUNKAASZTAL) MÓDBAN:

1. Viseljen szem- és fülvédőt. Más alkalmas személyi védelmi eszközöket is viselni kell.
2. SOHA ne vegyen fel kesztyűt a használathoz, kivéve ha a fűrészlapot cseréli vagy durva anyagok kezeléséhez a megmunkálás előtt.
3. Tartsa a padlót a szerszám környezetében tisztán, ömlesztett anyagoktól, mint forgácstól és fahulladéktól mentesen.
4. Ne működtesse a fűrész, ha a fűrészlapvédők

és a hasítókécs nincs a helyén. Minden használat ellenőrizze, hogy a fűrészlapvédők megfelelően zárnak. Ne működtesse a fűrész, ha a fűrészlapvédők nem mozognak akadálymentesen és nem zárnak azonnal. Soha ne rögzítse vagy kösse ki a fűrészlapvédőket nyitott állásban. Ha a fűrészlapvédők hibásan működnek, azokat azonnal ki kell javítani.

5. Tisztítsa meg és ügyeljen rá, hogy ne rongálja meg az orsót, az illesztőperemeket (különösen azok szerelési felületét) és a hatlapfejű csavart a fűrészlap felszerelése előtt vagy alatt. Ezen alkatrészek károsodása a fűrészlap törését okozhatja. A rosszul felszerelt fűrészlap rezeghet/imbolyoghat vagy megcsúszhat. Csak a szerszámhoz előírt illesztőperemeket használja.
6. Gondosan ellenőrizze a fűrészlapot a használat előtt, repedések vagy sérülések tekintetében. Ne használja a fűrészlapot, ha az sérült vagy deformálódott.
7. Csak a gyártó által ajánlott és az EN847-1 számú szabványnak megfelelő fűrészlapokat használjon és vegye figyelembe, hogy a hasítókécs nem lehet vastagabb, mint a fűrészlappal megvalósítható vágás szélessége, illetve nem lehet vékonyabb, mint maga a fűrészlap.
8. Csak az ebben a kézikönyvben leírt tartozékokat használja. Alkalmatlan tartozékok, mint például a daraboló köszörűtárcsák használata sérülést okozhat.
9. Válassza a vágandó anyag fajtájának megfelelő fűrészlapot.
10. Ne használjon gyorsacélból készült fűrészlapokat.
11. A zajkibocsátás visszaszorítása érdekében mindig ellenőrizze, hogy a fűrészlap éles és tiszta.
12. Használjon megfelelően megélezett fűrészlapot. Vegye figyelembe a fűrészlapon feltüntetett maximális sebességet.
13. Ne vágjon fémtárgyakat, mint pl. szegek és csavarok. A művelet megkezdése előtt ellenőrizze a munkadarabot, és húzza ki belőle az összes szeget, csavart és más idegen anyagot.
14. Űsse ki a meglazult görcsöket a munkadarabból még a vágás megkezdése ELŐTT.
15. Ne használja a szerszámot gyúlékony folyadékok vagy gázok környezetében.
16. A biztonsága érdekében távolítsa el a forgácsokat, kisméretű anyagdarabokat, stb. a munkaterületről és az asztalról a szerszám áram alá helyezése és a megmunkálás megkezdése előtt.

17. A gép kezelőjét megfelelő szinten be kell tanítani a gép használatára, beállítására és működtetésére.
18. Tartsa a kezeit és az Ön mellett állókat és saját magát a fűrészlap mozgáspályáján és vonalán kívül. Ne érjen a lassuló fűrészlaphoz. Az még komoly sérüléseket okozhat és soha ne nyúljon a fűrészlap környezetébe.
19. Legyen folyamatosan éber, különösen az ismétlődő, egyhangú munkaműveletek közben. Ne hagyja magát hamis biztonságérzetbe ringatni. A fűrészlapok különösen könnyörtelenek.
20. Ellenőrizze, hogy a tengelyretez fel van engedve, mielőtt bekapcsolja a szerszámot.
21. Mielőtt használja a szerszámot a tényleges munkadarabon, hagyja járni egy kicsit. Figyelje a rezgéseket vagy imbolygást, amelyek rosszul felszerelt vagy rosszul kiegyensúlyozott fűrészlapra utalhatnak.
22. A vágás megkezdése előtt várja meg, amíg a fűrészlap eléri a teljes sebességét.
23. A szerszám nem használható réselésre, szádalásra vagy hornyolásra.
24. Tartózkodjon a forgács vagy a munkadarab levágott darabkáinak eltávolításától a vágási területről ha a szerszám működik és a vágófej nincs nyugalmi helyzetben.
25. Ha bármilyen rendellenességet észlel, azonnal állítsa le a szerszámot.
26. Kapcsolja ki a szerszámot és várja meg, amíg a fűrészlap forgása teljesen leáll, mielőtt elmozdítja a munkadarabot vagy megváltoztatja a beállításokat.
27. A fűrészlap cseréjekor, szervizeléskor vagy ha nem használja, áramtalanítsa a szerszámot.
28. A használat folyamán keletkező fűrészporok némelyike olyan vegyi anyagokat tartalmaz, amelyek daganatos megbetegedést, születési rendellenességeket vagy egyéb nemzőszervi ártalmakat okoznak. Néhány példa az ilyen vegyi anyagokra:
 - ólom az ólomalapú festékekkel bevont munkadarabokból és
 - arzén és króm a vegykezelt faanyagokból.
 Az ilyen anyagok behatásának kockázata attól függ, hogy Ön milyen gyakran végez ilyen jellegű munkát. A behatás kockázatának csökkentése érdekében: dolgozzon jól szellőztetett helyen, és a munkavégzéshez használjon erre a célra jóváhagyott munkavédelmi felszereléseket, mint például olyan porvédő álarcokat, amelyet kifejezetten a mikroszkopikus részecskék kiszűrésére fejlesztettek ki.
29. A szerszámot csatlakoztassa egy porszivó berendezéshez fűrészeléskor.
30. Ellenőrizze, hogy az asztal biztosan rögzítve

lett a karral az átfordítás után.

GÉRVÁGÓFŰRÉSZ MÓDBAN VALÓ HASZNÁLATKOR:

31. Tilos a fűrészgépet alumínium, fa és hasonló anyagok vágásán kívül más anyagok fűrészelésére használni.
32. Ne végezze a műveletet szabad kézzel, ha a munkadarabot a fűrészlap környezetében vágja. A munkadarabot minden művelethez szilárdan rögzíteni kell a forgóasztal és a vezetőléc mentén.
33. Győződjön meg róla, hogy a forgóasztal megfelelően rögzítve van és nem mozdulhat el a használat során.
34. Ügyeljen rá, hogy a kar biztosan rögzítve van ferdevágáskor. Húzza meg rögzítőkart az óramutató járásának irányában a kar rögzítéséhez.
35. Ellenőrizze, hogy a fűrészlap nem ér a forgóasztalhoz legalsó, leengedett helyzetben és nem ér a munkadarabhoz sem, mielőtt bekapcsolja a szerszámot.
36. Szilárdan tartsa a fogantyút. Ne feledje, hogy beindítás és leállítás közben a fűrész egy kicsit felfelé vagy lefelé mozog.

ASZTALI FŰRÉSZ (MUNKAASZTAL) MÓDBAN VALÓ HASZNÁLATKOR:

37. Ne végezzen semmilyen műveletet csak szabad kézzel. A szabad kézzel azt jelenti, hogy a kezeivel támasztja meg vagy vezeti a munkadarabot és nem a párhuzamvezetővel.
38. Ügyeljen rá, hogy a fogóasztal biztosan rögzítve van.
39. Ügyeljen rá, hogy a kar biztosan rögzítve van az üzemi helyzetben. Húzza meg rögzítőkart az óramutató járásának irányában a kar rögzítéséhez.
40. Használjon nyomórudat vagy nyomótömböt, hogy ne kelljen a kezeit vagy az ujjait a fűrészlap közelébe vinnie.
41. Ellenőrizze, hogy a fűrészlap nem ér a hasítókéshöz vagy a munkadarabhoz, mielőtt bekapcsolja a szerszámot.
42. Ha nem használja, mindig tegye el a nyomórudat.
43. Különösen figyeljen oda a VISSZARÚGÁS kockázatát csökkentő útmutatásokra. A VISSZARÚGÁS a szerszám hirtelen reakciója a beszorult, elhajlott vagy rosszul álló fűrészlap esetén. VISSZARÚGÁS hatására a munkadarab a kezelő felé kilöködik a szerszámából. A VISSZARÚGÁS SÚLYOS SZEMÉLYI SÉRÜLÉSHEZ VEZETHET. Kerülje el a VISSZARÚGÁST úgy, hogy mindig éles fűrészlapot használ, a párhuzamvezetőt párhuzamosan tartja a fűrészlappal, a

hasítóké és a fűrészlappvédő a helyükön vannak és megfelelően működnek, nem oldja a munkadarab befogását addig, amíg végig nem tolta azt a fűrészlapp mellett, és nem hasít megcsavarodott, megvetemedett vagy olyan munkadarabot, amelynek nincsen egyenes széle amely a vezetőléc mentén vezethető.

44. Kerülje el a hirtelen, gyors előretolást. Kemény munkadarabok vágásakor annyira lassan tolja azt előre, amennyire csak lehetséges. Előretoláskor ne hajlítsa meg vagy csavarja meg a munkadarabot. Ha fűrészlapp elakad vagy beszorul a munkadarabba, azonnal állítsa le a szerszámot. Áramtalanítsa a szerszámot. Ezután szüntesse meg az elakadást.
45. Mielőtt átfordítja a szerszámot, mindig ellenőrizze, hogy a rögzítőszeg stabilan rögzíti a fűrésztartót a legalacsonyabb pozícióban.

ŐRIZZE MEG EZEKET AZ UTASÍTÁSOKAT

ÜZEMBEHELYEZÉS

⚠VIGYÁZAT:

Tartsa a padlót a szerszám környezetében tisztán, ömlesztett anyagoktól, mint forgácstól és fahulladéktól mentesen.

A munkaasztal összeszerelése

A teljesen kihúzható talpakkal állítsa fel úgy, mint egy magas asztal

Ha a szerszám nem állítható fel stabilan, forgassa el a szerszám talpán található beállítóanyát a megfelelő stabilitás eléréséhez. Forgassa el felülről nézve az óramutató járásával ellentétesen a talp megrövidítéséhez, és felülről nézve az óramutató járásának irányában a talp meghosszabbításához. A beállítás után ellenőrizze, hogy a szerszám stabilan áll.

Fig.1

Szerelje fel a rögzítőlapokat a szerszám három talpára a hatlapfejű csavarokkal úgy, hogy szögletes végükkel kifelé nézzenek. Majd rögzítse a szerszámot egy stabil és vízszintes felületen három csavarral, a rögzítőlapokon található furatok segítségével.

Fig.2

Az összehajtott talpakkal állítsa fel úgy, mint egy alacsony asztal

Fig.3

Amikor a szerszám az összehajtott talpakkal készen áll, rögzítse a szerszámot az ábrán látható U-alakú hornyok segítségével.

MŰKÖDÉSI LEÍRÁS

⚠VIGYÁZAT:

- Mindig bizonyosodjon meg a szerszám kikapcsolt és a hálózathoz nem csatlakoztatott állapotáról mielőtt ellenőrzi vagy beállítja azt.

Fűrészlappvédő

Fig.4

Fig.5

Fig.6

⚠VIGYÁZAT:

- Győződjön meg róla, hogy a fogantyút nem lehet leengedni, ha nem nyomja meg a fogantyú mellett balra található kart.
- Győződjön meg róla, hogy az A alsó fűrészlappvédők nem nyílnak ki amíg a fogantyú melletti kart meg nem nyomja a fogantyú legmagasabb helyzetében.
- A gérvágófűrész mód használata előtt győződjön meg róla, hogy a C alsó fűrészlappvédő fel van szerelve.

Amikor leereszti a fogantyút, a kart közben balra nyomva, az a A alsó fűrészlappvédő automatikusan felemelkedik. A B alsó fűrészlappvédő felemelkedik amikor hozzáér a munkadarabhoz. Az alsó fűrészlappvédők rugós terhelésűek, ezért visszatérnek az eredeti állásba a vágás befejezésekor, ha a fogantyút felemelik. A felső fűrészlappvédő simán ráesik a munkaasztal felületére miután munkadarab átmegy alatta. SOHA NE IKTASSA KI, VAGY TÁVOLÍTSA EL AZ ALSÓ FŰRÉSZLAPPVÉDŐKET, VAGY AZ ALSÓ ILLETVE FELSŐ FŰRÉSZLAPPVÉDŐHÖZ KAPCSOLÓDÓ RUGÓT, kivéve az alábbi megjegyzésben leírtakat.

A személyes biztonsága érdekében minden fűrészlappvédőt legyen mindig jó állapotban. Ha a fűrészlappvédők hibásan működnek, azokat azonnal meg kell javítani. Ellenőrizze az alsó fűrészlappvédők rugóterheléses visszatérés funkcióját. SOHA NE HASZNÁLJA A SZERSZÁMOT, HA AZ ALSÓ FŰRÉSZLAPPVÉDŐ, A RUGÓ VAGY A FELSŐ FŰRÉSZLAPPVÉDŐ MEGSÉRÜLT, MEGHIBÁSODOTT VAGY EL LETT TÁVOLÍTVÁ, kivéve az alábbi megjegyzésben leírtakat. ENNEK FIGYELMEN KÍVÜL HAGYÁSA NAGYON VESZÉLYES, ÉS KOMOLY SZEMÉLYI SÉRÜLÉST OKOZHAT.

MEGJEGYZÉS:

- A fűrészlappvédők a következő kivételes esetekben távolíthatók el. Asztali fűrész üzemmódban a C alsó fűrészlappvédő eltávolítható. Gérvágófűrész üzemmódban a felső fűrészlappvédő eltávolítható.

Ha az átlátszó fűrészlappvédők annyira elkoszolódnak, vagy azokhoz annyi fűrészpor tapad, hogy a fűrészlapp nehezen látható, áramtalanítsa a szerszámot és tisztítsa meg a fűrészlappvédőket egy nedves törülköhával. Ne

használjon oldószeret vagy bármilyen kőolajalapú tisztítószert a műanyag védőburkolaton.

Ha az alsó fűrészlapvédő különösen koszos, és nem lehet rajta átlátni, járjon el a következő módon. Emelje fel teljesen a fogantyút. Távolítsa el a fűrészlapot (tájékoztadjon a "A fűrészlap felhelyezése vagy eltávolítása" fejezetből). Emelje fel az A alsó fűrészlapvédőt, a kart balra nyomva. Az így beállított A alsó fűrészlapvédővel a tisztítás alaposabban és hatásosabban elvégezhető. Amikor a tisztítást befejezte, végezze el a fenti eljárást fordított sorrendben és húzza meg a csavart.

Ha a felső fűrészlapvédőre áll fenn a feljebb leírt eset, akkor nyomja be a gombot az felső részén elől és vegye le a felső fűrészlapvédőt. A tisztítás után mindig szerelje azt vissza.

Ha bármelyik fűrészlapvédő elszíneződik öregedés vagy UV fényhatás következtében, lépjen kapcsolatba egy Makita szervizközponttal egy új védőburkolat beszerzése érdekében. NE IKTASSA KI, VAGY TÁVOLÍTSA EL A FÜRÉSZLAPVÉDŐKET.

A maximális vágóteljesítmény fenntartása

Fig.7

Ez a szerszám gyárilag úgy van beállítva, hogy a maximális vágóteljesítményt 260 mm-es fűrészlappal adja le.

Új fűrészlap felrakásakor mindig ellenőrizze a fűrészlap alsó ütközőpontját, és ha szükséges, állítsa be azt a következő módon:

⚠VIGYÁZAT:

- A beállítás végzésekor áramtalanítsa a szerszámot.

Először áramtalanítsa a szerszámot. Engedje le teljesen a fogantyút. A dugókulccsal fordítsa el a beállítócsavart addig, amíg a fűrészlap széle kissé túl nem nyúlik a forgóasztal felső lapján abban a pontban, ahol a vezetőlécc elülső széle találkozik a forgóasztal felső lapjával.

Áramtalanított szerszám mellett forgassa a fűrész kézzel, miközben a fogantyút folyamatosan lenyomva tartja, annak ellenőrzésére, hogy a fűrészlap nem ér az alsó alaplemezhöz. Állítson kissé utána, ha szükséges.

⚠VIGYÁZAT:

- Egy új fűrészlap felrakása után mindig ellenőrizze, hogy a fűrészlap nem ér az alsó alaplemez semmilyen részéhez amikor a fogantyú teljesen le van engedve. Ezt mindig áramtalanítás után végezze.

Ezt a szerszámot az alsó ütközővel vagy anélkül is lehet használni, az alsó ütközőt eltolva az ábrán látható módon.

A szerszám alsó ütköző nélküli használatához forgassa el az ütköző végét az óramutató járásával ellentétesen. Az ilyen pozícióban való használat széles és vékony munkadarabokhoz ideális.

A szerszám alsó ütközővel való használatához forgassa el az ütköző végét az óramutató járásának irányába. Az ilyen pozícióban való használat a vastag munkadarabokhoz ideális.

Fig.8

A gérvágási szög beállítása

Fig.9

Fig.10

Lazítsa meg a szorítócsavart a vezetőléccen az óramutató járásával ellentétesen elforgatva. Fordítsa el a forgóasztalt a fogantyúval. Amikor a fogantyút abba a pozícióba állította, ahol a mutató a kívánt szögre mutat a gérvágó skálán, húzza meg a szorítócsavart az óramutató járásának irányába elforgatva.

⚠VIGYÁZAT:

- A forgóasztal elfordításakor ügyeljen rá, hogy a fogantyú teljesen fel legyen emelve.
- A gérvágási szög megváltoztatását követően mindig rögzítse a forgóasztalt, a szorítócsavart szorosan meghúzva.

A ferdevágási szög beállítása

Gérvágófűrész módban

Fig.11

Fig.12

A ferdevágási szög beállításához lazítsa meg a szabályozókart a szerszám hátsó részén, az óramutatót járásával ellentétes irányban elforgatva.

Nyomja a fogantyút balra a fűrészlap megdöntéséhez addig, amíg a mutató nem mutatja a kívánt szöget a ferdevágás skálán. Ezután húzza meg a szabályozókart az óramutató járásának irányában a kar rögzítéséhez.

⚠VIGYÁZAT:

- A fűrészlap elfordításakor ügyeljen rá, hogy a fogantyú teljesen fel legyen emelve.
- A ferdevágási szög megváltoztatását követően mindig rögzítse a kart a szabályozókart az óramutató járásának irányában elforgatva.

Asztali fűrész módban

Fig.13

A ferdevágási szög beállításához lazítsa meg a szabályozókart az asztal alatt, a szerszám elülső részén az óramutatót járásával ellentétes irányban elforgatva.

Nyomja a mélységbeállító gombot balra a fűrészlap megdöntéséhez addig, amíg a mutató nem mutatja a kívánt szöget a ferdevágás skálán. Ezután húzza meg a szabályozókart az óramutató járásának irányában a kar rögzítéséhez.

A kapcsoló használata

Fig.14

Átváltás a gérvágófűrész módba

⚠VIGYÁZAT:

- A szerszám hálózatra csatlakoztatása előtt mindig ellenőrizze hogy a kapcsoló retesze megfelelően

mozog és visszatér a kikapcsolt (OFF) állapotba elengedése után.

- Amikor nem használja a szerszámot, távolítsa el a kireteszelőgombot és tartsa azt biztonságos helyen. Ezzel meggátolja az illetéktelen használatot.
- Ne húzza túlzott erővel a kapcsolókart úgy, hogy nem nyomta be a kireteszelőgombot. Ez a kapcsoló törését okozhatja.

A kapcsolókar véletlen meghúzásának elkerülésére egy kireteszelőgomb van felszerelve. A szerszám bekapcsolásához nyomja a rögzítőkart balra, nyomja be a kireteszelőgombot és húzza meg a kapcsolókart. Engedje fel a kapcsolókart a leállításhoz.

Átváltás az asztali fűrész módba

⚠VIGYÁZAT:

- A használat megkezdése előtt ellenőrizze, hogy a szerszám be- vagy kikapcsolt állapotban van.

A szerszám bekapcsolásához nyomja le a BE (I) gombot. A kikapcsoláshoz nyomja le a KI (O) gombot.

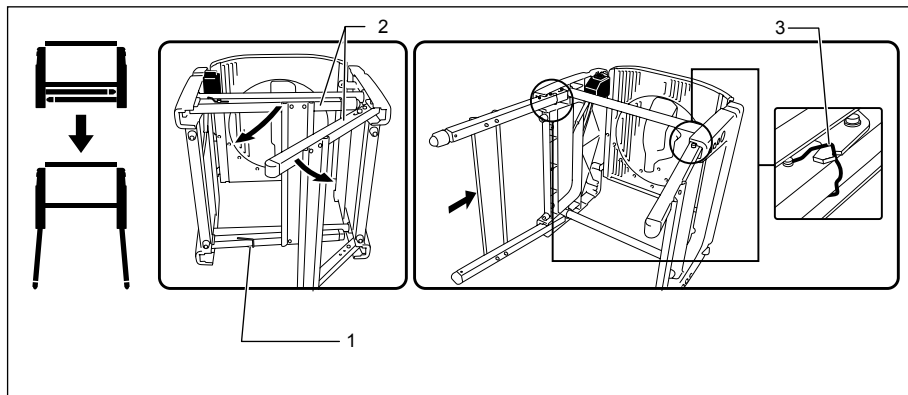
A vágási mélység beállítása

Fig.15

A vágási mélység a vágási mélység beállító kar elfordításával állítható. Fordítsa el a vágási mélység beállító kart az óramutató járásával egyező irányba a fűrészlap felemeléséhez, vagy az ellenkező irányba a leengedéséhez.

⚠FIGYELMEZTETÉS:

- Vékony anyagok vágásakor használja a sekély mélység beállítást a tisztább vágás érdekében.



1. Óvtartó
2. Talp
3. Rögzítőkampó

006043

Az szerszám beállításához magas asztallal járjon el a következő módon.

- (1) Óvatosan döntse a HÁTOLDALÁRA a szerszámot, mindkét kezével fogva azt.

⚠VIGYÁZAT:

- A rögzítőszeg nem fordítható el, ha a fűrésztartó teljesen leengedett pozícióban van. Ebben az esetben fordítsa el kissé a gombot az óramutató járásával ellentétesen, és akkor a rögzítőszeg kivehető.

Fig.16

ÖSSZESZERELÉS

⚠VIGYÁZAT:

- Mindig bizonyosodjon meg a szerszám kikapcsolt és a hálózathoz nem csatlakoztatott állapotáról mielőtt bármilyen munkálatot végezne rajta.

A dugókulcs tárolása

Fig.17

A dugókulcsot az ábrán látható módon kell tárolni. Amikor használni akarja a dugókulcsot, húzza azt ki a kulcstartóból. A dugókulcs használatának befejezésekor tegye azt vissza a kulcstartóba.

Asztalmagasság kétféle beállítása

Az asztal magasságát kétféleképpen lehet beállítani, magas asztalként vagy alacsony asztalként.

⚠FIGYELMEZTETÉS:

- Mielőtt a szerszámot a hátoldalára dönti, mindig állítsa a szerszámot gérvágófűrész módba és rögzítse a fűrésztartót a legalacsonyabb pozícióban.

1. Magas asztal beállítás

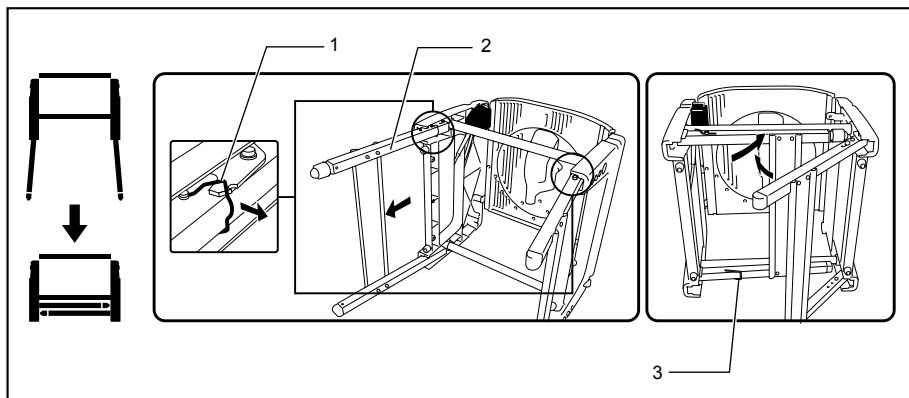
- (2) Fordítsa el a kampót az ábrán látható nyíl irányába a talpak szabaddá tételéhez. Nyissa ki az asztaltalpakat az egyik oldalon, és nyomja a talpak felső rúdját teljesen előre a

rögzítéshez. Végezze el ugyanezt a másik oldalon található talpakkal is. Győződjön meg róla, hogy a talpak mindkét oldalon ki vannak reteszelve.

⚠ FIGYELMEZTETÉS:

- Győződjön meg róla, hogy a rögzítőkampók megfelelően állnak a keret vágataiban.
- (3) Állítsa vissza a szerszámot függőleges helyzetbe.

2. Alacsony asztal beállítás



1. Rögzítőkampó

2. Talp

3. Övtartó

006044

A talpak az ábrán látható módon összehajthatók. A szerszám összehajtásához járjon el a következő módon.

- (1) Óvatosan döntse a HÁTOLDALÁRA a szerszámot, mindkét kezével fogva azt.
- (2) Húzza fel előbb a bal talpak illesztésénél található rögzítőt a reteszelés kioldásához.
- (3) Végezze el ugyanezt a másik oldalon is.
- (4) A kampó segítségével kapcsolja össze a talpakat.
- (5) Állítsa vissza a szerszámot függőleges helyzetbe.

A fűrészlap felhelyezése vagy eltávolítása

⚠ VIGYÁZAT:

- Minden esetben ellenőrizze, hogy a szerszám ki van kapcsolva és áramtalanítva lett, mielőtt felhelyezi vagy eltávolítja a fűrészlapot.
- A fűrészlap felszereléséhez vagy eltávolításához csak a Makita dugókulcsot használja. Ennek elmulasztása esetén a hatlapfejű csavart túlhúzhatja vagy nem húzza meg eléggé. Ez sérülésekhez vezethet.

Mozgassa a fogantyút teljesen felemelt pozícióba. Nyomja be a tengelyreteszt az orsó rögzítéséhez, a dugókulcs segítségével lazítsa meg a hatlapfejű csavart az óramutató járása szerinti irányban elforgatva azt.

Fig.18

Emelje fel az A fűrészlapvédőt az emelőkarral, a

fogantyú melletti kart közben balra nyomva. Felemelt A fűrészlapvédő mellett csavarja le a hatlapfejű csavart, és vegye le a külső illesztőperemet és a fűrészlapot.

Fig.19

A fűrészlap felszereléséhez tegye azt óvatosan az orsóra, ügyelve arra, hogy fűrészlap oldalán látható nyíl egybeessen a fűrészlapházon látható nyílal. Helyezze fel a külső illesztőperemet és a hatlapfejű csavart, majd a dugókulccsal húzza meg a hatlapfejű csavart (balmenetes), az óramutató járásával ellentétesen forgatva azt, a tengelyreteszt közben benyomva tartva.

Fig.20

Fig.21

MEGJEGYZÉS:

- A fűrészlap felszereléskor ügyeljen rá, hogy azt először a B fűrészlapvédő közé helyezze be, majd emelje fel, hogy végül a fűrészlap a B fűrészlapvédőbe kerüljön.

Európán kívüli országok

Fig.22

⚠ VIGYÁZAT:

- A 25,4 mm-es külső átmérőjű ezüst gyűrű gyárilag van a tengelyre szerelve. A 25 mm-es külső átmérőjű fekete gyűrű szabvány felszerelésként van mellékelve. Mielőtt felszereli a fűrészlapot a tengelyre, mindig ellenőrizze, hogy a használni kívánt fűrészlap tengelyfuratának megfelelő gyűrű van a tengelyre helyezve.

Európai országok

⚠VIGYÁZAT:

- A 30 mm-es külső átmérőjű gyűrű gyárilag van a belső és külső illesztőperemek közé szerelve.

Állítsa vissza az A alsó fűrészlapvédőt az eredeti helyzetbe. Engedje le a fogantyút annak ellenőrzésére, hogy az alsó fűrészlapvédő megfelelően mozog. Ügyeljen rá, hogy a tengelyretesz kijöjjön az orsból mielőtt elkezdi a vágást.

A hasítókécs beállítása

Fig.23

Körülbelül 5 - 6 mm-es távolságnak kell lennie a hasítókécs és a fűrészfogak között, amikor a hasítókécs teljesen a fűrészlap felé nyomja. Állítsa be a hasítókécs ennek megfelelően, előbb meglazítva a szorítóanyát kézzel, az óramutató járásával ellentétes irányban, majd meglazítva a hatlapfejű csavart az óramutató járásával ellentétes irányban a dugókulccsal, és mérve a távolságot. A beállítás után húzza meg a hatlapfejű csavart, majd a szorítóanyát az óramutató járásának irányában. A vágás előtt mindig ellenőrizze, hogy a hasítókécs rögzítve van, és hogy a felső fűrészlapvédő akadálymentesen működik.

Fig.24

A hasítókécs a szállítás előtt a gyárban úgy lett felszerelve, hogy a fűrészlap és a hasítókécs egy vonalban legyenek egy egyszerű beállítást követően. A beállításról tájékozódjon " A hasítókécs áthelyezése" fejezetből.

Fig.25

⚠VIGYÁZAT:

- Ha fűrészlap és a hasítókécs nincsenek megfelelően elrendezve, akkor a működés során veszélyes beékelődések történhetnek. Ellenőrizze, hogy a hasítókécs a fűrészfog külső szélei közé van állítva felülről nézve. Komoly személyi sérüléseknek teheti ki magát, ha a szerszámot nem megfelelően beállított hasítókéccsel használja. Ha bármilyen okból nincsenek egy vonalban, mindig javítsa meg a Makita hivatalos szervizközpontjában.
- A távolság beállításakor a hasítókécs és a fűrészfogak között, a hatlapfejű csavart csak azután lazítsa meg, hogy a szorítóanyát már meglazította.

A párhuzamvezető felszerelése és beállítása

Fig.26

1. A párhuzamvezetőt úgy szerelje az asztalra, hogy a párhuzamvezető tartója illeszkedjen a vezetősinhez. Húzza meg a párhuzamvezető szorítócsavarját (B) az óramutató járásának irányában.
2. Lazítsa meg a szorítócsavart (A).
3. Csúsztassa el a párhuzamvezetőt és rögzítse úgy,

hogy a párhuzamvezető Öntől távolabbi vége illeszkedjen ahhoz a ponthoz, amelynél a fűrészlap elülső széle éppen kilép a munkadarab felső lapjából. Ezen beállítás célja, hogy lecsökkentse a visszarúgás kockázatát az operátor felé amiatt, hogy a munkadarabból levágott rész beszorul a fűrészlap és a párhuzamvezető közé és végül a kezelő irányába lökődik ki. A vonal (A) változik a munkadarab vastagságával vagy az asztal magasságával. Állítsa be a párhuzamvezető pozícióját a munkadarab vastagságának megfelelően.

A párhuzamvezető beállítása után húzza meg a szorítócsavart (A).

Fig.27

MEGJEGYZÉS:

- Négy sablon szolgál a párhuzamvezető beállítására, amint az az ábrán is látható. A párhuzamvezetőnek két vajat van az oldalain, az egyik közelében magas szegély van ugyanazon az oldalon, a másik pedig szegély nélküli. A párhuzamvezető szegéllyel rendelkező oldalát csak akkor fordítsa a munkadarab felé, ha egy vékony munkadarabból vág le.

Fig.28

MEGJEGYZÉS:

- A párhuzamvezető sablonjának megváltoztatásához vegye le a párhuzamvezetőt a párhuzamvezetőtartóról a szorítócsavart (A) meglazítva és változtassa meg a párhuzamvezető párhuzamvezetőtartó felé néző lapját a megmunkálásnak megfelelően, amint az az ábrán is látható.

Helyezze a párhuzamvezetőtartón levő négylapú anyát a párhuzamvezető valamelyik vajatának hátulsó végébe, hogy az ábrán látható módon illeszkedjenek.

Az A vagy B sablonból való váltáshoz a C vagy D sablonra, vagy fordítva, távolítsa el a négylapú anyát, az alátétet és a szorítócsavart (A) a párhuzamvezetőtartóról, majd helyezze a szorítócsavart, az alátétet és az anyát a párhuzamvezetőtartó másik oldalára. Húzza meg a szorítócsavart (A) miután a párhuzamvezetőtartó négylapú anyáját behelyezte a párhuzamvezető vajatába.

Helyezze a párhuzamvezetőtartón levő négylapú anyát a párhuzamvezető valamelyik vajatának hátulsó végébe, hogy az ábrán látható módon illeszkedjenek.

Fig.29

A párhuzamvezető gyárilag úgy van beállítva, hogy párhuzamos legyen a fűrészlap oldalával. Győződjön meg a párhuzamosságról. Annak ellenőrzésére, hogy a

párhuzamvezető párhuzamos a fűrészlappal, állítsa be a fűrészlap magasságát a vágási mélység beállító gombbal úgy, hogy a fűrészlap a legmagasabb pozícióban legyen az asztalhoz képest. Jelölje meg az egyik fűrészfogat egy zsírkrétával. Mérje le a párhuzamvezető és a fűrészlap közötti (A) és (B) távolságokat. Mindkét méréshez a krétával megjelölt fogat használja. A két mérésnek egyeznie kell. Ha a párhuzamvezető mégsem párhuzamos a fűrészlappal, akkor járjon el a következő módon:

Fig.30

- (1) Forgassa el a beállítócsavart az óramutató járásával ellentétes irányban.

Fig.31

Fig.32

- (2) Tolja a párhuzamvezető elülső szélét kissé jobbra vagy balra amíg párhuzamos nem lesz a fűrészlappal.
- (3) Húzza meg a beállítócsavart a párhuzamvezetőn.

⚠VIGYÁZAT:

- Győződjön meg róla, hogy a párhuzamvezetőt úgy állította be, hogy az párhuzamos a fűrészlappal, mert ellenkező esetben veszélyes visszarágások történhetnek.
- Ügyeljen rá, hogy a párhuzamvezetőt úgy állítsa be, hogy az ne érjen a felső fűrészlapvédőhöz vagy a fűrészlaphoz.
- Ne mozgassa vagy fogja a szerszámot a párhuzamvezetőnél fogva.
- A felszerelt párhuzamvezető emelése vagy az arra történő erő kifejtés jobbra vagy balra a végénél fogva károsíthatja azt, és csökkentheti a működőképességét.

A gérvágó mérce felszerelése és beállítása

Fig.33

Szerelje fel a gérvágó mércét a tengelyét az asztal elején található két horony egyikébe illesztve. A gérvágó mérce vezetője, amely párhuzamvezetőként is használható, a megmunkálásnak megfelelően felszerelhető a gérvágó mércére.

Porzsák

Fig.34

A porzsák használata a vágási műveleteket tisztává, a por összegyűjtését pedig egyszerűvé teszi. A porzsák csatlakoztatásához illessze azt a porkifűvóra.

Amikor a porzsák nagyjából a feléig megtelt, távolítsa el azt a szerszámról és húzza ki a rögzítőt. Üritse ki a porzsák tartalmát, óvatosan megütögetve az oldalát az oldalához tapadt szemcsék eltávolítása érdekében, melyek akadályozhatják a por összegyűjtését.

Fig.35

Ha a fűrészhez porszívót csatlakoztat, akkor hatékonyabb és tisztább megmunkálást tud végezni.

Fig.36

Könyökcső

Fig.37

⚠VIGYÁZAT:

- Irányítsa a könyökcső kimeneti oldalát olyan irányba, hogy a kiszívott por és forgács ne a szerszám vagy a munkaterületen levő személyek irányába szálljon.

Csatlakoztassa a könyökcsövet, ha meg szeretné változtatni a porkifűvás irányát.

A munkadarab rögzítése

⚠FIGYELMEZTETÉS:

- Különösen fontos, hogy a munkadarabot mindig megfelelően rögzítse a befogóba. Ennek elmulasztása a szerszám károsodását és/vagy a munkadarab törését okozhatja. EMELLETT SZEMÉLYI SÉRÜLÉS IS BEKÖVETKEZHET. Ezenkívül a vágási művelet befejezése után NE emelje fel a fűrész, amíg fűrészlap teljesen meg nem állt.

Függőleges befogó

Fig.38

A függőleges befogót kétféle helyzetben lehet felszerelni, a vezetőléc bal vagy jobb oldalára. Illessze a befogórudat a vezetőléccen található furatba, és húzza meg a csavart a befogórúd rögzítéséhez.

Állítsa be a befogókart a munkadarab vastagságának és alakjának megfelelően, és rögzítse a befogókart a szorítócsavarral. Ha a befogókar rögzítésére szolgáló csavar érinti a vezetőlécet, csavarja be a szorítócsavart a befogókar másik oldaláról. Ellenőrizze, hogy a szerszám alkatrészei ne érjenek a befogóhoz amikor leengedi a fogantyút. Ha valamelyik alkatrész mégis hozzáérne, állítsa be újra a befogót.

Tolja előre a munkadarabot a vezetőléc és a forgóasztal mentén. Állítsa be a munkadarabot a vágni kívánt helyzetbe és rögzítse azt a befogó gombjának meghúzásával.

⚠VIGYÁZAT:

- A munkadarabot szilárdan rögzíteni kell a forgóasztal és a vezetőléc mentén.

A szerszám beállítása asztali fűrész módba

⚠VIGYÁZAT:

- Az asztali fűrész módban való használat előtt ellenőrizze, hogy a forgóasztal 0°-os gérvágási szögben van rögzítve a vezetőléccen található szorítócsavarral.
- Az asztali fűrész módban való használat előtt ellenőrizze, hogy a fűrésztartó rögzítve van a karral.
- Az asztali fűrész módban való használat előtt ellenőrizze, hogy a hasítókéscs meg megfelelően rögzítve

van.

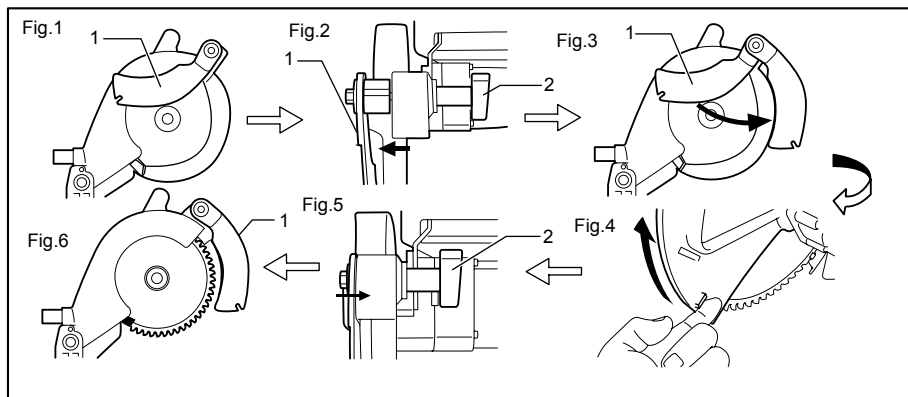
- Az asztali fűrész módban való használat előtt távolítsa el a C alsó fűrészlapvédőt.
- Az asztali fűrész módban engedje ki az alsó ütközőt.

A szerszám a gyárból gérvágófűrész módba állítva kerül kiszállításra. Az asztali fűrész módban való használat előtt változtassa meg a beállítást és kövesse az alább leírt eljárást.

1. A forgóasztal rögzítése

Fig.39

A forgóasztal rögzítéséhez húzza meg a szorítócsavart a vezetőléccen 0°-os gérvágási



1. Hasítókés
 2. Szorítóanya
- 006068

A pozíció (1. ábra) a következő módon állítható.

- (1) Lazítsa meg a szorítóanyát (2. ábra).
- (2) Húzza és fordítsa a hasítókést 90°-os állásba a nyíl irányához képest (3. ábra). Majd nyomja azt be kissé úgy, hogy még ebben a helyzetben maradjon.
- (3) Emelje fel teljesen az A alsó fűrészlapvédőt a fogójával, közben balra nyomva a fogantyú melletti kart és engedje fel a fogantyú melletti kart (4. ábra).
- (4) Nyomja a hasítókést a nyíl irányába (5. ábra) úgy, hogy egy vonalban legyen a fűrészlappal.
- (5) Miután a hasítókést az ábrán látható nyíl irányába nyomta, engedje fel az A alsó fűrészlapvédőt.
- (6) A hasítókés beállítása után húzza meg a szorítóanyát (6. ábra)

5. A C alsó fűrészlapvédő eltávolítása

Fig.42

Távolítsa el a C alsó fűrészlapvédőt az asztalról a szorítócsavart meglazítva.

szögnél.

2. A fűrésztartó rögzítése

Fig.40

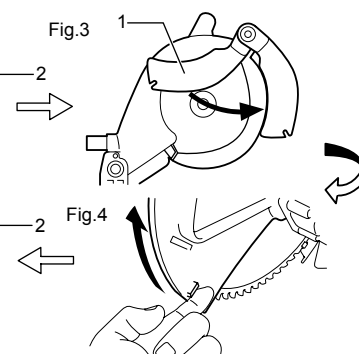
A fűrésztartó rögzítéséhez fordítsa el a kart az ábrán látható nyíl irányába.

3. Az alsó ütköző kiengedése

Fig.41

Ellenőrizze, hogy az alsó ütköző vége a ábrán látható A pozícióban van. Forgassa el az alsó ütköző végét az óramutató járásával ellentétes irányban az A pozícióba ha az a B pozícióban van.

4. A hasítókés áthelyezése



6. A fűrésztartó rögzítése teljesen leengedett állásban

Fig.43

Fig.44

Miután beállította a hasítókést az asztali fűrész módban, húzza az ütközőt az A nyíl irányába és forgassa el azt 90°-ban a B nyíl irányába az ütközőt kihúzva tartva. Ezután engedje le a fogantyút a fűrésztartó rögzítéséhez.

⚠VIGYÁZAT:

- Ha a fűrésztartó nem rögzíthető a teljesen leengedett pozícióban, forgassa el néhány fordulatnyit a mélységbeállító gombot.
- Mielőtt átfordítja a szerszámot, mindig ellenőrizze, hogy a rögzítőszeg stabilan rögzíti a fűrésztartót a legalacsonyabb pozícióban.

7. A szerszám átfordítása

⚠FIGYELMEZTETÉS:

- Győződjön meg róla, hogy a szerszám ki van kapcsolva és áramtalanítva lett, mielőtt átfordítja azt.

- Amikor a kart lenyomja, ügyeljen rá, hogy a kezét/ujját távol tartsa a kar-asztal közötti résztől.

Fig.45

Fogja meg az asztal középső részét az egyik kezével, nyomja le a kart a másik kezével, közben az asztalt szilárdan tartva, majd döntse meg az asztalt az átfordításhoz. Tartsa azt amíg be nem kattann a helyére.

8. A felső fűrészlapvédő felszerelése

Fig.46

Nyomja a felső fűrészlapvédő nyomógombját az oldalsó felületéhez, helyezze azt a hasítókés bevágásába a gombot lenyomva tartva, majd engedje fel a gombot.

A nyomógomb felengedése után próbálja kihúzni a felső fűrészlapvédőt annak ellenőrzésére, hogy biztosan rögzítve van.

⚠VIGYÁZAT:

- A felső fűrészlapvédő felszerelése után ellenőrizze, hogy az akadálymentesen működik.

A szerszám beállítása gérvágófűrész módba

⚠FIGYELMEZTETÉS:

- A gérvágófűrész mód használata előtt győződjön meg róla, hogy a C alsó fűrészlapvédő fel van

szerezve.

A beállítások módosításához az asztali fűrész módból a gérvágófűrész módba való átváltáshoz, kövesse " A szerszám beállítása asztali fűrész módba " fejezet lépéseit fordított sorrendben.

1. A felső fűrészlapvédő eltávolítása

Nyomja a felső fűrészlapvédő nyomógombját az oldalsó felületéhez, majd egyszerűen vegye le a felső fűrészlapvédőt, közben a gombot lenyomva tartva.

2. A C alsó fűrészlapvédő felszerelése

Helyezze a C alsó fűrészlapvédőt az asztalra úgy, hogy az illeszkedjen az asztalon található nyílásokba és húzza meg a szorítócsavart.

3. A szerszám átfordítása

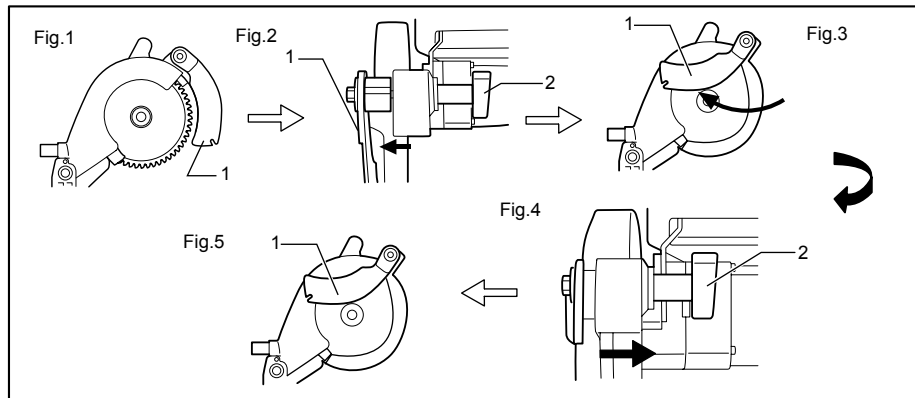
Tájékozódjon a hasonló című fejezetből " A szerszám beállítása asztali fűrész módba " fejezetnél.

4. A fűrésztartó felengedése teljesen leengedett állásból

Fig.47

A fogantyút tartva húzza a rögzítőszegyet az A nyíl irányába, fordítsa el azt 90°-ban a B nyílhoz képest kihúzott rögzítőszeg mellett, majd lassan emelje fel a fogantyút.

5. A hasítókés áthelyezése



1. Hasítókés

2. Szorítóanya

006075

A hasítókés pozíciója (1. ábra) a következő módon állítható.

- (1) Lazítsa meg a szorítóanyát és a kezével fogja meg az A alsó fűrészlapvédőt a fogójánál (2. ábra).
- (2) Az A alsó fűrészlapvédőt tartva húzza meg a hasítókést hogy az elforduljon majd állítsa a nyíl irányának megfelelő pozícióba (3. ábra).
- (3) A hasítókést abban a pozícióban tartva állítsa vissza az A alsó fűrészlapvédőt az eredeti

pozíciójába és húzza meg a szorítóanyát (4. és 5. ábrák).

6. Az R és L kiegészítő vezetőlécek felszerelése és eltávolítása

Fig.48

⚠VIGYÁZAT:

- Amikor 20 mm-nél vastagabb munkadarabokat vág, győződjön meg róla, hogy az R és L kiegészítő vezetőléceket fel vannak szerelve és rögzítve vannak a csavarokkal.

Az R és L kiegészítő vezetőlécek eltávolítása hasznos széles és vékony munkadarabok vágásakor.

Ha 20 mm-nél vékonyabb, vagy 180 mm-nél vastagabb munkadarabokat vág, távolítsa el az R és L kiegészítő vezetőléceket a csavarokat kicsavarva az ábrán látható módon.

Amikor 20 mm-nél vastagabb munkadarabokat vág, szerelje fel az R és L kiegészítő vezetőléceket és rögzítse azokat a csavarokkal.

Tájékozódjon a következő táblázatból a munkadarab mérete és az R és L kiegészítő vezetőlécek használata/mellőzése közötti kapcsolatról.

Fig.49

	Munkadarab mérete (M x SZ)	kiegészítő vezetőlécek használata/mellőzése
1	68 mm x 155 mm	kiegészítő vezetőlécekkel
2	20 mm x 210 mm	kiegészítő vezetőlécek nélkül

006577

ÜZEMELTETÉS

⚠VIGYÁZAT:

- A használat előtt ügyeljen rá, hogy felengedje a fogantyút a leengedett pozícióból a rögzítőszeg kihúzásával és 90°-os elfordításával.
- Ellenőrizze, hogy a fűrészlap nem ér a munkadarabhoz, stb. mielőtt bekapcsolja a szerszámot.

VÁGÁS GÉRVÁGÓFÜRÉSZ MÓDBAN

⚠FIGYELMEZTETÉS:

- A gérvágófűrész mód használata előtt győződjön meg róla, hogy a C alsó fűrészlapvédő fel van szerelve.

⚠VIGYÁZAT:

- Ne fejtsen ki túlzott nyomást a fogantyúra a vágás során. A túlzott erőltetés a motor túlterhelését és/vagy a vágási hatások csökkenését eredményezheti. A fogantyút csak akkora erővel nyomja, amennyi erő az egyenes vágáshoz szükséges és nem csökkenti le nagyon a fűrészlap sebességét.
- A vágás elvégzéséhez lassan nyomja lefelé a fogantyút. Ha a fogantyút erővel nyomja lefelé, vagy arra laterális erőt is kifejti, a fűrészlap rezegni fog és elhagyja a jelölést (fűrészelési jelölés) a munkadarabon és a vágás pontossága romlik.

1. Nyomóvágás

Fig.50

Rögzítse a munkadarabot a vezetőléc és a forgóasztal mentén. Kapcsolja be a szerszámot úgy, hogy a fűrészlap ne érjen semmihez és várja meg amíg a fűrészlap eléri a maximális sebességét. Ezután lassan engedje le a fogantyút a teljesen leengedett állásba a munkadarab

átvágásához. A vágás befejeztével kapcsolja ki a szerszámot és VÁRJA MEG AMÍG A FÜRÉSZLAP TELJESEN MEGÁLL mielőtt visszaviszi azt a teljesen felemelt pozícióba.

2. Gérvágás

Tájékozódjon a korábbi "A gérvágási szög beállítása" fejezetből.

3. Ferdevágás

Fig.51

Lazítsa meg a kart és döntse meg a fűrészelt a ferdevágási szög beállításához (Tájékozódjon a korábbi "A gérvágási szög beállítása" fejezetből). Ügyeljen rá, hogy meghúzza a kart a kiválasztott ferdevágási szög rögzítéséhez. Rögzítse a munkadarabot a vezetőléc és a forgóasztal mentén. Kapcsolja be a készüléket anélkül, hogy a fűrészlap bármihez hozzáérne, majd várja meg amíg a fűrészlap eléri a maximális sebességét. Ezután lassan engedje le a fogantyút a teljesen leengedett állásba, a fűrészlappal párhuzamos irányú nyomást kifejtve. A vágás befejeztével kapcsolja ki a szerszámot és VÁRJA MEG AMÍG A FÜRÉSZLAP TELJESEN MEGÁLL mielőtt visszaviszi azt a teljesen felemelt pozícióba.

⚠VIGYÁZAT:

- Mindig ellenőrizze, hogy a fűrészlap a ferdevágás irányába fog mozogni ferdevágáskor. Tartsa távol a kezeit a fűrészlap útvonalától.
- Ferdevágáskor létrejöhet olyan helyzet, hogy a levágott darab felfekszik a fűrészlap oldalára. Ha a fűrészlapot felemeli úgy, hogy közben még forog, ezt a darabot a fűrész elkaphatja, és a darabokat szétszórná, ami veszélyes. A fűrészlapot CSAK azután szabad felemelni, hogy az teljesen megállt.
- A fogantyút lenyomásakor fejtse ki a fűrészlappal párhuzamos irányú nyomást. Ha a nyomás nem párhuzamos a fűrészlappal a vágás során, akkor a fűrészlap szöge megváltozhat és a vágás pontossága romlik.

4. Kombinált vágás

A kombinált vágás egy olyan művelet amelynél a ferdevágással egyszerre gérvágás is történik a munkadarabon. Kombinált vágásokat a táblázatban látható szögeknél lehet végezni.

Ferdevágási szög	Gérvágási szög
45°	Bal és Jobb 0° - 45°

006366

Kombinált vágás végzésekor tájékozódjon a "Nyomóvágás", "Gérvágás" és "Ferdevágás" fejezetekből.

5. Sajtolt alumínium vágás

Fig.52

A sajtolt alumínium rögzítésekor használja a távtartó tömböket vagy hulladékdarabokat az alumínium deformálódásának elkerüléséhez az ábrának megfelelő módon. A sajtolt alumínium

vágásakor használjon kenőanyagot az alumínium felhalmozódásának elkerülésére a fűrészlapon.

⚠VIGYÁZAT:

- Soha ne próbáljon vastag vagy kerek sajtolt alumínium idomokat vágni. A vastag sajtolt alumínium idomok a művelet során kilazulhatnak, a kerek idomokat pedig nem lehet megfelelően rögzíteni a szerszámmal.
- Soha ne vágjon alumíniumot asztali fűrész módban (munkaasztal módban).

VÁGÁS ASZTALI FÜRÉSZ MÓDBAN (MUNKAASZTAL MÓDBAN)

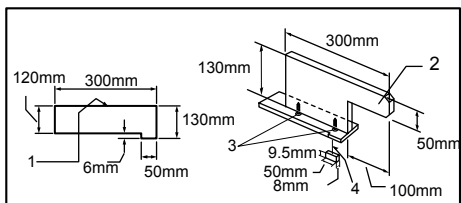
⚠VIGYÁZAT:

- Mindig használjon "munkasegégeket" úgymint nyomórudakat és nyomótömböket amikor fennáll a veszélye, hogy a kezei vagy az ujjai közel kerülhetnek a fűrészlaphoz.
- A munkadarabot mindig szilárdan rögzítse az asztallal és a párhuzamvezetővel. Előretoláskor ne hajlítsa meg vagy csavarja azt. Ha a munkadarab meghajlik vagy megcsavarodik, akkor veszélyes visszarúgások történhetnek.
- SOHA ne húzza vissza a munkadarabot amikor a fűrészlap forog. Ha vissza kell húzni a munkadarabot a vágás befejezése előtt, akkor előbb kapcsolja ki a szerszámot a munkadarabot erősen fogva. Várja meg amíg a fűrészlap teljesen megáll és csak azután húzza vissza a munkadarabot. Ennek elmulasztása veszélyes visszarúgásokat okozhat.
- SOHA ne távolítsa el a levágott darabot ha a fűrészlap forog.
- SOHA ne tegye kezeit vagy ujjait a fűrészlap útjába.
- Mindig rögzítse a párhuzamvezetőt vagy veszélyes visszarúgások történtek.
- Mindig használjon "munkasegégeket" úgymint nyomórudakat és nyomótömböket amikor kicsi vagy keskeny munkadarabokat vág, vagy amikor nem látható a vágás során.

Munkasegédek

Nyomórudak, nyomótömbök vagy segédvezetők tartoznak a "munkasegédek" különböző típusaihoz. Használja ezeket, hogy biztonságos és biztos vágásokat végezzen anélkül, hogy a kezelőnek bármely testrészevel a fűrészlapoz kellene érnie.

Nyomótömb



1. Homloklap/szél párhuzamos
2. Fogantyú
3. Facsavar
4. Zevesse együtt

006080

Használjon egy 19 mm-es furnérdarabot.

A fogantyúnak a furnérdarab közepén kell lennie. Rögzítse ragasztóval és facsavarokkal az ábrának megfelelően. Egy kisméretű, 9,5 mm x 8 mm x 50 mm-es fadarabot mindig hozzá kell ragasztani a furnérhoz, nehogy a fűrészlap eltompuljon ha a kezelő egy hiba folytán a nyomótömbbe vág. (Soha ne verjen szögeket a nyomótömbbe.)

Segédvezető

Fig. 53

A segédvezetőt 9,5 mm-es és 19 mm-es furnérdarabokból készítse el.

Párhuzamos vágás

⚠VIGYÁZAT:

- Párhuzamos vágáskor távolítsa el a gérvágó mércét az asztalról.
 - Hosszú és nagyméretű munkadarabok vágásakor mindig legyen megfelelő támaszték az asztalon túl. NE ENGEDJE, hogy egy hosszú deszka az asztalon csúszson vagy mozogjon. Ez a fűrészlap beszorulását okozhatja és növeli a visszarúgás és a személyi sérülések kockázatát. A támaszték magassága ugyanolyan kell legyen, mint az asztalé.
1. A vágási mélységet kicsit nagyobbra állítsa, mint a munkadarab vastagsága. A beállítás elvégzéséhez tájékozódjon "A vágási mélység beállítása" fejezetből.
 2. A párhuzamvezetőt állítsa a kívánt vágási szélességre és rögzítse a szorítócsavar (A) meghúzásával. A párhuzamos vágás előtt ellenőrizze, hogy a párhuzamvezetőtartó két csavarja meg van húzva. Ha nincsenek eléggé meghúzva, húzza meg újra.
 3. Kapcsolja be a szerszámot és egyenletesen tolja előre a munkadarabot a fűrészlapra a párhuzamvezető mentén.
 - (1) Amikor a párhuzamos vágás szélessége 150 mm vagy szélesebb, a jobb kezével tolja óvatosan előre a munkadarabot. A másik kezével tartsa ellen a munkadarabot a

párhuzamvezetőnek.

Fig.54

- (2) Amikor a párhuzamos vágás szélessége 65 mm - 150 mm közötti, használja a nyomórudat a munkadarab előretolásához.

Fig.55

- (3) Amikor a párhuzamos vágás szélessége kisebb, mint 65 mm, a nyomórudat nem lehet használni, mert az eltalálja a fűrészlapvédőt. Használjon segédvezetőt és nyomótömböt. A segédvezetőt illessze a párhuzamvezetőhöz két "C" kapoccsal.

Fig.56

Tolja előre a kezével a munkadarabot amíg a vége kb. 25 mm-re nem lesz a felső asztal elülső végétől. Folytassa az előretolást a nyomótömbbel a segédvezető felső részén a vágás befejezéséig.

Fig.57

Harántvágás

⚠VIGYÁZAT:

- Harántvágás végzésekor vegye le a párhuzamos vezetőt az asztalról.
- Hosszú vagy nagyméretű munkadarabok vágásakor mindig legyen megfelelő támaszték az asztal oldalainál. A támaszték magassága ugyanolyan kell legyen, mint az asztalé.
- A kezeit mindig tartsa távol a fűrészlap útjától.

Gérvágó mérce

A gérvágó mérce az ábrán látható négyféle vágáshoz használható.

Fig.58

⚠VIGYÁZAT:

- Rögzítse a gérvágó mércén található gombot.
- Kerülje el a munkadarab és a mérce elcsúszását szilárd szöglet befogók alkalmazásával, különösen szög alatti vágáskor.
- SOHA NE tartsa vagy fogja meg a munkadarab "levágni" kívánt részét.

A gérvágó mérce használata

Fig.59

Csúsztassa a gérvágó mércét az asztalon látható vastag vajatokba. Lazítsa meg a gombot a mércén és állítsa be a kívánt szöglet (0° és 60° között). Hozza egy síkba a fadarabot a vezetővel és egyenletesen tolja a fűrészlapra.

Segéd fabetét (gérvágó mérce)

Fig.60

A hosszú deszkák ingadozásának elkerülésére a gérvágó mércére szereljen segédvezetőt. Rögzítse fejescsavarokkal/anyákkal, furatok befúrása után, de a kötőelemek nem emelkedhetnek ki a lap felületéből.

A szerszám szállítása

Fig.61

Ellenőrizze, hogy a szerszám áramtalanítva van. Gérvágófűrész módban használt szerszám esetén rögzítse a fűrészlapot 0°-os ferdevágási szögnél és a forgóasztalt 0°-os gérvágási szögnél. Engedje le teljesen a fogantyút és rögzítse leengedett pozícióban teljesen benyomva a rögzítőszegyet.

A szerszámot az ábrán látható részeinél fogva kell szállítani.

Fig.62

⚠VIGYÁZAT:

- A szerszám szállítása előtt mindig rögzítsen minden mozgó alkatrészt.
- A szerszám szállítása előtt mindig állítsa azt gérvágófűrész módba.
- Győződjön meg róla, hogy a C alsó fűrészlapvédő fel van szerelve a szerszámmra.

KARBANTARTÁS

⚠VIGYÁZAT:

- Mindig bizonyosodjék meg arról hogy a szerszám kikapcsolt és a hálózatra nem csatlakoztatott állapotban van mielőtt a vizsgálatához vagy karbantartásához kezdene.

⚠FIGYELMEZTETÉS:

- Mindig ügyeljen rá, hogy a fűrészlap éles és tiszta legyen a legjobb és legbiztonságosabb teljesítmény érdekében.

A vágási szög beállítása

Ezt a szerszámot a gyárban gondosan beállították és beigazították, de a durva bánásmód kihathat a beállításokra. Ha a szerszám nincs megfelelően beállítva, végezze el a következőket:

1. Gérvágási szög

Fig.63

A 0°-os gérvágási szög beállítócsavarjai négy pozícióban találhatók.

Lazítsa meg a 0°-os szöglet beállító négy csavart az óramutató járásával ellentétes irányban az asztal aljától haladva.

Engedje le teljesen a fogantyút és rögzítse leengedett pozícióban benyomva és 90°-kal elfordítva a rögzítőszegyet. Állítsa merőlegesre a fűrészlap oldalát a vezetőlécz lapjával egy háromszögvonalzós, acéldekszög,

stb.segítségével. Ezután húzza meg a kiegészítő karon található négy beállítócsavart az asztal aljától haladva. Ellenőrizze, hogy a mutató a 0°-ra mutat a gérvágó skálán. Ha nem akkor állítsa be a mutató pozícióját meglazítva a mutatót rögzítő csavart. A beállítás után húzza meg a csavart.

Fig.64

2. Ferdevágási szög

Fig.65

- (1) 0°-os ferdevágási szög
- Engedje le teljesen a fogantyút és rögzítse leengedett pozícióban benyomva és 90°-kal elfordítva a rögzítőszegét. Lazítsa meg a kart a szerszám hátsó részén.
- Forgassa el az asztal alja felől a 0°-os ferdevágási szöveget beállító csavart a kiegészítő kar jobboldalán két vagy három fordulattal az óramutató járásával ellentétes irányába a fűrészlap jobbra döntéséhez.
- Gondosan állítsa merőlegesre a fűrészlap oldalát a forgóasztal felső felületével a egy háromszögvonalzós, acélderékszög, stb. segítségével a 0°-os ferdevágási szöveget beállító csavart az óramutató járásának irányába forgatva.

Fig.66

Ellenőrizze, hogy a forgóasztalon levő mutató a 0°-ra mutat a karon található ferdevágási skálán. Ha a mutató nem a 0°-ra mutat, lazítsa meg a mutatót rögzítő csavart és állítsa be a mutatót, hogy a 0°-ra mutasson.

Fig.67

- (2) 45°-os ferdevágási szög
- A 45°-os ferdevágási szöveget csak azután állítsa be, hogy a 0°-os ferdevágási szöveget már beállította. A balos 45°-os ferdevágási szög beállításához lazítsa meg a kart és fordítsa a fűrészlapot teljesen balra.
- Ellenőrizze, hogy a karon levő mutató a 45°-ra mutat a kar tartóján található ferdevágási skálán. Ha a mutató nem 45°-a mutat, forgassa az asztal alól a 45°-os szöveget beállító csavart a kiegészítő kar bal oldalán addig, amíg a mutató nem mutat a 45°-ra.

A szénkefék cseréje

Fig.68

A szénkefeket cserélje és ellenőrizze rendszeresen. Cserélje ki azokat amikor lekopnak egészen a határjelzésig. Tartsa tisztán a szénkefeket és biztosítsa hogy szabadon mozoghassanak tartójukban. Mindkét szénkefét egyszerre cserélje ki. Használjon egyforma szénkefeket.

Csavarhúzó segítségével távolítsa el a kefetartó sapkákat. Vegye ki a kopott szénkefeket, tegye be az újakat és helyezze vissza a kefetartó sapkákat.

Fig.69

A használat után

- A használatot követően törölje le a szerszámhoz tapadt forgácsot és a fűrészport egy törlőruhával vagy más szövetdarabbal a maximális élettartam biztosítása érdekében. A fűrészlapvédőt tartsa

tisztán, a "Fűrészlapvédő" fejezetben leírtaknak megfelelően. Kenje meg a csúszó alkatrészeket gépolajjal, hogy ne rozsdásodjanak.

A termék BIZTONSÁGÁNAK és MEGBIZHATÓSÁGÁNAK fenntartásához, a javításokat, bármilyen egyéb karbantartást vagy beszügyelést a Makita Autorizált Szervizközpontoknak kell végrehajtaniuk, mindig Makita pótalkatrészek használatával.

TARTOZÉKOK

△VIGYÁZAT:

- Ezek a tartozékok vagy kellékek ajánlottak az Önnek ebben a kézikönyvben leírt Makita szerszámához. Bármely más tartozék vagy kellék használata személyes veszélyt vagy sérülést jelenthet. A tartozékot vagy kelléket használja csupán annak kifejezett rendeltetésére.

Ha bármilyen segítségre vagy további információra van szüksége ezekkel a tartozékokkal kapcsolatban, keresse fel a helyi Makita Szervizközpontot.

- Acél és karbidvégű fűrészlapok
- Függőleges befogó
- Dugókulcs, 13-3
- Porzsák
- Háromszögvonalzós
- Porfogó (C alsó fűrészlapvédő)
- Nyomórúd
- Vonalzószerszám (párhuzamvezető)
- Gérvágó mérce
- Rögzítőlapok (3 darab)
- Hatlapfejú csavarok (3 darab)
- Könyökcső
- Felső fedélszerszám (felső fűrészlapvédő)

Vysvetlenie všeobecného zobrazenia

1-1. Nastavovacia skrutka s maticou	22-3. Čepel píly	34-2. Vrecko na prach
1-2. Noha	22-4. Vnútorná obruba	35-1. Vrecko na prach
2-1. Fixná doska	22-5. Vreteno	35-2. Upínadlo
2-2. Hex. skrutka	22-6. Prsteneč	37-1. Otvor na prach
3-1. Žliabky v tvare U	23-1. Upínacia matica	37-2. Ohyb
4-1. Chránič dolnej čepele A	23-2. Hex. skrutka	38-1. Rameno zveráka
4-2. Chránič dolnej čepele B	23-3. Štiepiaci nôž	38-2. Tyč zveráka
5-1. Chránič dolnej čepele A (používaný len v režime zrezaného pílenia)	24-1. Štiepiaci nôž	38-3. Vodidlóvé ochranné zariadenie
6-1. Tlačidlo posunutia	24-2. Čepel píly	38-4. Otočný gombík zveráka
6-2. Štiepiaci nôž	25-1. Šírka čepele	38-5. Šrauba (Skrutka)
6-3. Chránič hornej čepele (používaný v režime stolového pílenia)	25-2. Štiepiaci nôž	39-1. Šrauba (Skrutka)
7-1. Vrchný povrch rotačnej základne	25-3. Hex. skrutka	39-2. Vodidlóvé ochranné zariadenie
7-2. Okraj čepele	26-1. Držiak ochranného zariadenia na pozdĺžne rezanie	40-1. Páčka
7-3. Vodidlóvé ochranné zariadenie	26-2. Vodiaca lišta	41-1. Dolný limit zarážky
8-1. Dolný limit zarážky	26-3. Uťahovacia skrutka (A)	41-2. Nastavovacia skrutka s maticou
8-2. Nastavovacia skrutka s maticou	26-4. Uťahovacia skrutka (B)	42-1. Šrauba (Skrutka)
8-3. Matica	26-5. Ochranné zariadenie na pozdĺžne rezanie	43-1. Čap zarážky
9-1. Šrauba (Skrutka)	27-1. Ochranné zariadenie na pozdĺžne rezanie	44-1. Hlavica píly uzamknutá v úplne dolnej polohe
9-2. Vodidlóvé ochranné zariadenie	27-2. Držiak ochranného zariadenia na pozdĺžne rezanie	45-1. Páčka
10-1. Rúčka	27-3. Čiara, s ktorou sa má vyrovnat'	45-2. Oblasť na umiestnenie ruky/prsta
10-2. Rotačný stól	27-4. Čepel píly	45-3. Hákovacie časti
11-1. Páčka	27-5. Vrchný stól	46-1. Tlačidlo posunutia
12-1. Rúčka	27-6. Obrobok	46-2. Štiepiaci nôž
13-1. Páčka	28-1. Ochranné zariadenie na pozdĺžne rezanie	46-3. Chránič hornej čepele (používaný v režime stolového pílenia)
13-2. Nastavovací otočný gombík hĺbky rezania	28-2. Držiak ochranného zariadenia na pozdĺžne rezanie	47-1. Čap zarážky
14-1. Spínač v režime zrezaného pílenia	28-3. Čepel píly	48-1. Vodidlóvé ochranné zariadenie
14-2. Spínač v režime stolového pílenia	29-1. Ochranné zariadenie na pozdĺžne rezanie	48-2. Podružné ochranné zariadenie R
14-3. Tlačidlo odomknutia	29-2. Držiak ochranného zariadenia na pozdĺžne rezanie	48-3. Podružné ochranné zariadenie L
14-4. Spúšť	29-3. Štvorhranná matica	48-4. Kolík
14-5. Rúčka	29-4. Uťahovacia skrutka (A)	48-5. Šrauba (Skrutka)
14-6. Páčka	29-5. Uťahovacia skrutka (B)	49-1. Keď sa odstráni podružné ochranné zariadenie
14-7. Tlačidlo zapnutia	30-1. Stupnica	49-2. Keď sa nainštaluje podružné ochranné zariadenie
14-8. Tlačidlo vypnutia	31-1. Ochranné zariadenie na pozdĺžne rezanie	50-1. Zverák (voliteľný doplnok)
15-1. Nastavovací otočný gombík hĺbky rezania	31-2. Držiak ochranného zariadenia na pozdĺžne rezanie	51-1. Zverák (voliteľný doplnok)
16-1. Čap zarážky	31-3. Nastavovacia skrutka	52-1. Zverák
17-1. Zastrkávací kľúč	32-1. Ochranné zariadenie na pozdĺžne rezanie	52-2. Blok rozpery
17-2. Držiak kľúča	32-2. Čepel píly	52-3. Vodidlóvé ochranné zariadenie
18-1. Zastrkávací kľúč	32-3. Chránič hornej čepele	52-4. Hliníkový výlisok
18-2. Posúvačový uzáver	33-1. Ochranné zariadenie meradla zrezania	52-5. Blok rozpery
18-3. Hex. skrutka	33-2. Meradlo zrezania	53-1. Súbežný s plochou/hranou
19-1. Páčka	33-3. Žliabky	55-1. Prepichávací tyčka
19-2. Zdvíhacia páka	34-1. Otvor na prach	56-1. Pomocné ochranné zariadenie
20-1. Čepel píly		57-1. Blok na zatlačenie
20-2. Chránič čepele B		57-2. Pomocné ochranné zariadenie
21-1. Puzdro čepele		58-1. PRIEČNE REZANIE
21-2. Šípka		58-2. ZREZANIE
21-3. Čepel píly		58-3. SKOSENIE
21-4. Šípka		58-4. ZLOŽENÉ ZREZANIE (UHLÝ)
22-1. Hex. skrutka		59-1. Drážka
22-2. Vonkajšia obruba		59-2. Meradlo zrezania

59-3. Gombík
 61-1. Čap zarážky
 62-1. Časť nástroja, ktorá sa má držať pri nosení
 64-1. Trojuholníkové meradlo
 64-2. Čepel píly
 64-3. Vodidlóvé ochranné zariadenie

65-1. Nastavovacia závora 0°
 65-2. Nastavovacia závora 45° uhla skosenia
 66-1. Trojuholníkové meradlo
 66-2. Čepel píly
 66-3. Vrchný povrch rotačnej základne
 67-1. Rameno

67-2. Škála skosenia
 67-3. Ukazovateľ
 67-4. Rotačná základňa
 68-1. Medzná značka
 69-1. Veko držiaka uhlíka
 69-2. Šraubovák

TECHNICKÉ ÚDAJE

Model	LF1000
Priemer ostria	260 mm
Priemer jamky	
Pre európske krajiny	30 mm
Max. kapacity rezania (V x Š) s 260 mm priemerom čepele v režime zrezaného pílenia	

Uhol skosenia	Uhol zrezania
	0°
0°	20 mm x 210 mm
	68 mm x 155 mm
45° (ľavý)	50 mm x 150 mm

Max. kapacity rezania pri 90° v režime stolového pílenia (plošinového pílenia)	70 mm
Otáčky naprázdno (min ⁻¹)	2700
Rozmery stola (Š x D)	500 mm x 555 mm
Rozmery (D x Š x V1 (poznámka1)/V2 (poznámka 2)) v režime zrezaného pílenia v režime stolového zrezaného pílenia	660 mm x 650 mm x 1220 mm / 800 mm 660 mm x 650 mm x 1060 mm / 845 mm
Hmotnosť netto	32 kg
Trieda bezpečnosti	II/II

Poznámka1 V1: Výška až po hlavicu nástroja

Poznámka2 V2: Výška až po stôl

- Vzhľadom k neustálemu výskumu a vývoju tu uvedené technické údaje podliehajú zmenám bez upozornenia.
- Poznámka: Technické údaje sa môžu pre rozne krajiny líšiť.

END213-4

Symbols

Nižšie sú uvedené symboly, s ktorými sa môžete pri použití nástroja stretnúť. Je dôležité, aby ste skôr, než s ním začnete pracovať, pochopili ich význam.



- Prečítajte si návod na používanie.



- DVOJITÁ IZOLÁCIA



- Aby nedošlo k poraneniu od odletujúcich úlomkov, pílu pod vykonaní rezu ešte podržte hlavnicou nadol, kým sa ostrie úplne nezastaví.
- Nepribližujte k ostriu ruku či prsty.



- Pre vlastnú bezpečnosť odstráňte pred prácou triesky, malé úlomky a pod. zo stola.
- Predtým, ako nástroj pretočíte okolo osi, odpojte ho.



- Pri prenášaní položte ruky na správne miesto.



- Nenadvíhajte horný koniec ochranného zariadenia pri jeho montáži alebo demontáži.



- Len pre štáty EU
Nevyhadzujte elektrické zariadenia spolu s domácim odpadom!
Podľa Nariadenia Európskej rady 2002/96/EC o likvidácii elektrických a elektronických zariadení a ich prevádzkovaní v súlade s národnými zákonmi, elektrické zariadenia musia byť potom, čo doslúžia, zhromažďované samostatne a vrátené na ekologickú recykláciu.

Určené použitie

Tento nástroj je určený na presné priame rezanie a zrezávanie dreva. Tento nástroj možno používať v režime zrezávačky aj v režime stolovej pretočením cez stôl okolo jeho osi.

ENF002-1

Napájanie

Nástroj sa môže pripojiť len k odpovedajúcemu zdroju s napätím rovnakým, aké je uvedené na typovom štítku, a môže pracovať len s jednofázovým striedavým napätím. V súlade s európskymi normami má dvojitú izoláciu a môže byť preto napájaný zo zásuviek bez uzemňovacieho vodiča.

ENG037-1

Len pre európske štáty**Hluk a vibrácie**

Typická A-vážená úroveň hlučnosti sú
úroveň akustického tlaku: 92 dB (A)
úroveň akustického výkonu: 105 dB (A)

Používajte pomôcky na ochranu sluchu.

Typická záťažová efektívna hodnota zrýchlenia nie je vyššia ako 2,5 m/s².

Tieto hodnoty boli získané podľa normy EN61029.

ENH015-4

Model; LF1000**PREHLÁSENIE O ZHODE S NORMAMI EU**

Prehlasujeme na našu vlastnú zodpovednosť, že tento výrobok je v zhode s nasledujúcimi normami alebo štandardizovanými dokumentami;

EN61029, EN55014, EN61000 v súlade so Smernicami výboru, 89/336/EEC, 98/37/EC.

Certifikát o primeranosti technického súboru s ohľadom na 98/37/EC získaný od nasledujúceho oboznameného orgánu:

Intertek SEMKO AB, Torshamnsgatan 43, Box 1103, SE-164 22 Kista, Švédsko

Yasuhiko Kanzaki **CE2005**



000087

riaditeľ

MAKITA INTERNATIONAL EUROPE LTD.

Michigan Drive, Tongwell, Milton Keynes, Bucks MK15 8JD, ANGLICKO

Zodpovedný výrobca:

Makita Corporation Anjo Aichi Japan

ENB094-2

ĎALŠIE BEZPEČNOSNÉ ZÁSADY PRE NÁSTROJ

PRE REŽIM PÍLY NA ZREZÁVANIE AJ STOLOVEJ PÍLY (PLOŠINOVEJ PÍLY):

1. Používajte chránič zraku a sluchu. Je potrebné používať aj ostatné vhodné osobné ochranné pomôcky.
2. Pri práci **NIKDY** nepoužívajte rukavice, okrem prípadu, keď pred prácou vymieňate pilové

ostria alebo ostrý materiál.

3. Udržujte povrch dlážky v okolí hladiny nástroja v poriadku a bez voľne položených materiálov ako piliny a odrezky.
4. Nepoužívajte pílu bez nasadených krytov a štiepiaceho noža. Pred každým použitím skontrolujte kryty ostria, či sú správne uzavreté. Nepoužívajte pílu, ak sa kryty ostria nepohybujú voľne a nezatvárajú sa ihneď. Nikdy neupínajte ani neuväzujte kryty ostria v otvorenej polohe. Akákoľvek chybná činnosť krytov ostria sa musí okamžite opraviť.
5. Vychistite a dbajte na to, aby ste pri montáži ostria nepoškodili vreteno, príruby (najmä montážnu plochu) alebo šesťhrannú maticovú skrutku. Poškodenie týchto dielov by mohlo spôsobiť narušenie ostria. Nesprávna montáž môže spôsobovať vibrácie/hádzanie alebo vyšmyknutie ostria. Používajte len príruby určené pre tento nástroj.
6. Pred prácou dôkladne skontrolujte ostrie, či neobsahuje praskliny alebo iné poškodenie. Nepoužívajte poškodené alebo deformované pilové ostrie.
7. Používajte len pilové ostria odporúčané výrobcom a vyhovujúce norme EN847-1 a dbajte na to, aby štiepací nôž nebol hrubší ako šírka rezu pilovým ostrím ani tenší ako telo ostria.
8. Vždy používajte príslušenstvo odporúčané v tomto návode. Pri používaní nevhodného príslušenstva, napríklad abrazívnych rozbrusovacích brúsnych kotúčov, môže dôjsť k poraneniu.
9. Pilové ostrie vyberajte primerane podľa rezaného materiálu.
10. Nepoužívajte pilové ostria vyrobené z rýchloreznej ocele.
11. Na zníženie emitovaného hluku zabezpečte, aby bolo ostrie vždy ostré a čisté.
12. Používajte správne naostrené pilové ostria. Dodržiavajte označenie maximálnej rýchlosti na pilovom ostrí.
13. Nerežte kovové predmety ako klince a skrutky. Pred prácou skontrolujte, či na obrobku nie sú klince, skrutky či iné cudzie materiály a prípadne ich odstráňte.
14. Z obrobku vyrazte všetky voľné hrče PRED začatím rezania.
15. Nástroj nepoužívajte v blízkosti horľavých kvapalín alebo plynov.
16. Pre vašu bezpečnosť odstráňte pred zapojením nástroja a začatím práce z pracovného miesta a povrchu stola triesky, malé úlomky a pod.
17. Obsluha musí byť primerane zaškolená na používanie, nastavovanie a prevádzku nástroja.

18. Ruky držte mimo dráhy ostria, nie v línii pilového ostria a rovnako sa postavte aj vy a prípadní okolostojaci. Vyhnite sa kontaktu s akýkoľvek zastavujúcim sa ostrím. Nikdy nesiahajte do blízkosti pilového ostria. Aj to môže spôsobiť závažné poranenie.
 19. Neustále buďte strehu, zvlášť pri opakujúcich sa a monotónnych úkonoch. Neupadnite do stavu falošnej bezpečnosti. Ostria sú mimoriadne nemilosrdné.
 20. Predtým, ako zapnete spínač, skontrolujte, či je posúvačový uzáver uvoľnený.
 21. Predtým, ako použijete nástroj na konkrétnom obrobku, nechajte ho chvíľu bežať. Sledujte, či nedochádza k vibráciám alebo hádzaniu, ktoré by mohlo naznačovať nesprávnu montáž alebo nesprávne vyvážené ostrie.
 22. Kým začnete rezať, počkajte, kým ostrie nedosiahne plnú rýchlosť.
 23. Nástroj možno používať len na drážkovanie, pododrážkovanie alebo žliabkovanie.
 24. Neodstraňujte žiadne odrezky či iné časti obrobku z oblasti rezania, kým je nástroj spustený a hlavica píly nie je v pokojovej polohe.
 25. Ak spozorujete niečo nezvyčajné, okamžite zastavte prácu.
 26. Pred presunutím obrobku alebo zmenou nastavení vypnite nástroj a počkajte, kým sa ostrie píly nezastaví.
 27. Pred výmenou ostria, vykonaním servisu alebo keď nástroj nepoužívate, odpojte ho.
 28. Niekedy prach vytváraný pri práci obsahuje chemikálie, o ktorých je známe, že spôsobujú rakovinu, poruchy plodov alebo iné reprodukčné poškodenia. Niekoľko príkladov takýchto chemikálií:
 - olovo z maliarskych materiálov na báze olova a,
 - arzén a chróm z chemicky ošetrovaného stavebného dreva.
- Riziko pre vás z vystavenia týmto látkam sa líši v závislosti od toho, ako často vykonávate tento typ prác. Ako znížite riziká z vystavenia týmto chemikáliám: pracujte na dobre vetranom mieste a pracujte s odporúčanými bezpečnostnými pomôckami, napríklad protiprachovými maskami, ktoré sú špeciálne určené na filtrovanie mikroskopických častíc.
29. Pri pílení pripojte nástroj na zberač prachu.
 30. Po otočení stola zaistíte, aby stôl bol pevne zafixovaný pomocou páčky.

PRI POUŽITÍ REŽIMU PÍLY NA ZREZÁVANIE:

31. Nepoužívajte pílu na rezanie iných materiálov ako dreva, hliníka a podobných materiálov.
32. Pri rezaní obrobku v oblasti blízko pilového ostria nevykonávajte žiadne úkony voľnou

rukou. Obrobok musí byť pri každom úkone pevne zaistený oproti rotačnému stolu a vodidlu ochranného zariadenia.

33. Skontrolujte, či je rotačný stôl bezpečne zaistený, aby sa počas práce nepohyboval.
34. Pri zrezávaní skontrolujte, či je rameno bezpečne upevnené. Rameno zafixujete utiahnutím páčky v smere pohybu hodinových ručičiek.
35. Skôr, ako zapnete spínač, skontrolujte, či sa ostrie v najnižšej polohe nedotýka rotačného stola a či sa nedotýka obrobku.
36. Rúčku držte pevne. Myslite na to, že píla sa pri spustení a zastavení trochu pohne nahor alebo nadol.

PRI POUŽITÍ REŽIMU STOLOVEJ PÍLY (PLOŠINOVEJ PÍLY):

37. Žiadne úkony nevykonávajte voľnou rukou. Voľnou rukou znamená, že obrobok podopierate alebo pridržiate rukami namiesto použitia ochranného zariadenia.
38. Skontrolujte, či je otočný stôl pevne zafixovaný.
39. Skontrolujte, či je rameno bezpečne upevnené v pracovnej polohe. Rameno zafixujete utiahnutím páčky v smere pohybu hodinových ručičiek.
40. Aby ste nepoužívali ruky a prsty v blízkosti pilového ostria, použijete zatláčaciu tyč alebo zatláčací hranol.
41. Skôr, ako zapnete spínač, skontrolujte, či sa ostrie nedotýka štiepiaceho noža alebo obrobku.
42. Keď zatláčaciu tyč nepoužívate, vždy ju odložte.
43. Zvlášť venujte pozornosť pokynom na zníženie rizika SPÄTNÉHO NÁRAZU. SPÄTNÝ NÁRAZ je náhla reakcia na zovreté, pritlačené alebo vyosené pilové ostrie. SPÄTNÝ NÁRAZ spôsobuje vyhodenie obrobku z nástroja dozadu smerom k obsluhujúcej osobe. SPÄTNÉ NÁRAZY MÔŽU SPÔSOBIŤ VÁŽNE PORANENIE OSÔB. SPÄTNÝM NÁRAZOM predídete, keď budete ostrie udržiavať čisté, ochranné zariadenie bude rovnomerne s ostrím, štiepiaci nôž a kryt ostria budú funkčné a na svojom mieste, neuvoľníte obrobok, kým ho nepretlačíte úplne za ostrie a nebudete pozdĺžne rezať obrobok, ktorý je pokrútený alebo zvlnený alebo nemá rovný okraj, ktorý by sa viedol popri ochrannom zariadení.
44. Obrobok nevedzte prudko a rýchlo. Pri rezaní ťažkých obrobkov posúvajte podľa možnosti čo najpomalšie. Kým sa obrobok posúva, neohýňajte alebo neotáčajte ho. Ak zastavíte alebo zaseknete ostrie v obrobku, okamžite

vypnite nástroj. Nástroj odpojte zo zásuvky. Potom odstráňte zaseknutie.

45. **Pred otočením nástroja vždy skontrolujte, či kolík zarážky sa bezpečne uzamkol v hlavici nástroja v dolnej polohe.**

TIETO POKYNY USCHOVAJTE.

INŠTALÁCIA

⚠POZOR:

Udržujte povrch dlážky v okolí hladiny nástroja a bez zvyšných materiálov, ako sú piliny a odrezky.

Montáž plošiny

Pre plne rozšírené nastavenie nôh ako vysokého stola

Keď nie je možné nastaviť nástroj stabilne, otočte nastavovaciu maticu pri nohe nástroja, čím získate vhodnú stabilitu. Otočte ňou proti smeru hodinových ručičiek, čím nohu z pohľadu zhora skráťte a v smere hodinových ručičiek, čím ju predĺžite z pohľadu zhora. Po nastavení sa uistite, či je nástroj stabilný.

Fig.1

Nainštalujte fixné dosky s ich rohovým koncom smerujúcim k trom nohám nástroja pomocou šesťbokých závor. A zaistíte nástroj na stabilný a rovný povrch pomocou otvorov vo fixných doskách pomocou troch skrutiek s maticou.

Fig.2

Pre zložené nastavenie nôh ako nízkeho stola

Fig.3

Keď je nástroj pripravený v polohe so zloženými nohami, zaistíte nástroj pomocou žliabku v tvare U tak, ako je to zobrazené na obrázku.

POPIS FUNKCIE

⚠POZOR:

- Pred nastavovaním nástroja alebo kontrolou jeho funkcie sa vždy presvedčte, že je vypnutý a vytiahnutý zo zásuvky.

Chránič čepele

Fig.4

Fig.5

Fig.6

⚠POZOR:

- Uistite sa, že nie je možné znížiť rukoväť bez toho, aby sa posunula páka blízko rukoväte doľava.
- Uistite sa, že dolné chrániče čepelí A skrinky sa netvoria, až kým páka v blízkosti rukoväte sa nestlačí do najvyššej polohy rukoväte.
- Uistite sa, že dolný držiak čepele C je nainštalovaný ešte pred použitím režimu

zrezaného pílenia.

Pri znižovaní rukoväte počas potlačenia páky doľava sa dolný chránič čepele A zdvihne automaticky. Dolný chránič čepele B sa zdvihne, keď sa dostane do kontaktu s obrobkom. Dolné chrániče čepele majú pružinu, takže sa vrátia do svojej pôvodnej polohy, keď sa rez dokončí a rukoväť sa zdvihne. Horný chránič čepele spadne tvárou na povrch stola potom, ako pod ním prešiel obrobok. NIKDY NEZNIČTE ALEBO NEODSTRÁŇTE DOLNÉ CHRÁNIČE ČEPELE, PRUŽINU, KTORÁ SA PRIPÁJA KU DOLNÉMU CHRÁNIČU ČEPELE ALEBO KU HORNÉMU CHRÁNIČU ČEPELE okrem tých prípadov, ktoré sú spomenuté nižšie v poznámke.

V záujme vašej osobnej bezpečnosti vždy udržiavajte každý chránič čepele v dobrom stave. Akákoľvek chybná činnosť chráničov sa musí okamžite opraviť. Skontrolujte, či pružina pracuje správne a či vracia dolné chrániče čepele späť na miesto. NIKDY NEPOUŽÍVAJTE NÁSTROJ, AK SÚ DOLNÝ CHRÁNIČ ČEPELE, PRUŽINA ALEBO VRCHNÝ CHRÁNIČ ČEPELE POŠKODENÉ, CHYBNÉ ALEBO ODSTRÁNENÉ okrem tých prípadov, ktoré sú spomenuté nižšie v poznámke. JE TO VEĽMI NEBEZPEČNÉ A MÔŽE TO ZAPRÍČINIŤ VÁŽNE OSOBNÉ ZRANENIE.

POZNÁMKA:

- Tu sú nasledovné výnimky pre odstraňovanie chráničov. Len vtedy, keď sa používa v režime stolovej píly, sa dolný chránič čepele C odstráni. Len vtedy, keď sa používa v režime stolovej píly, sa horný chránič čepele odstráni.

Ak sa ktorýkoľvek z týchto priesvitných chráničov čepele znečistí alebo sa naň prilepia piliny tak, že čepeľ je len ťažko viditeľná, odpojte pílu zo siete a vyčistite opatrne chrániče pomocou vlhkej handričky. Nepoužívajte rozpúšťadlá alebo petrolejové čistiadla na čistenie umelohmotného chrániča.

Ak je dolný chránič čepele A obzvlášť znečistený a priehľadnosť chrániča je zhoršená, postupujte nasledovne. Úplne zdvihnite rukoväť. Odstráňte čepeľ píly (pozrite si časť "Inštalácia a odstránenie čepele píly"). Zdvihnite dolný chránič čepele A a zároveň potlačte páku doľava. S dolným chráničom čepele A v takejto polohe sa čistenie môže vykonať dôkladnejšie a účinnejšie. Keď ukončíte čistenie, postupujte v opačnom poradí a zaistíte závoru.

V takom istom prípade pre horný chránič čepele, ako je to spomenuté vyššie, stlačte tlačidlo na prednej strane horného povrchu a odstráňte horný chránič čepele. Po vyčistení ho vždy znova bezpečne nainštalujte.

• Ak chránič stratí farbu v priebehu času alebo kvôli vystaveniu UV svetlu, kontaktujte servisné centrum Makita, aby vám dodali nový chránič. NEZNIČTE ALEBO NEODSTRÁŇTE CHRÁNIČE ČEPELE.

Udržovanie maximálnej rezacej kapacity

Fig.7

Nástroj je už pri svojej výrobe nastavený poskytovať maximálnu rezaciu kapacitu pre 260 mm čepeľ píly.

Pri inštalácii novej čepele vždy skontrolujte polohu dolného limitu čepele a ak je to potrebné, nastavte ho nasledovne:

⚠️POZOR:

- Pri tomto nastavovaní odpojte nástroj zo siete. Najprv odpojte nástroj zo siete. Úplne znížte rukoväť. Použite francúzsky kľúč na otočenie nastavovacieho otočného gombíka, až kým okraj čepele jemne neprečnieva popod vrchný povrch rotačného stola v bode, kde predná strana vodidla ochranného zariadenia sa nedotýka vrchného povrchu rotačnej základne. S odpojeným nástrojom otáčajte ručne čepeľou, zároveň držte čepeľ celý čas smerom dole, aby ste sa uistili, že čepeľ nie je v kontakte ani s jednou časťou dolnej základne. Znova jemne nastavte, ak je to potrebné.

⚠️POZOR:

- Po inštalácii novej čepele sa vždy uistite, že čepeľ nie je v kontakte ani s jednou časťou dolnej základne, keď je rukoväť úplne znížená. Toto vždy robte len s odpojeným nástrojom.

Tento nástroj je možné použiť s alebo bez dolného limitu, a to posunutím zarážky dolného limitu tak, ako je to zobrazené na obrázku.

Ak chcete použiť nástroj bez dolného limitu, otočte koniec závovy proti smeru hodinových ručičiek. Použitie v tejto polohe je vhodné na rezanie širokých a tenkých obrobkov.

Ak chcete použiť nástroj s dolným limitom, otočte koniec zarážky v smere hodinových ručičiek. Použitie v tejto polohe je vhodné na rezanie hrubých obrobkov.

Fig.8

Nastavenie uhla zrezania

Fig.9

Fig.10

Uvoľnite upínaciu skrutku na vodidle ochranného zariadenia otočením proti smeru hodinových ručičiek. Otočte rotačný stôl pomocou rukoväte. Keď ste posunuli rukoväť do polohy, kde ukazovateľ nesmeruje do požadovaného uhla na škále zrezania, bezpečne utiahnite upínaciu skrutku v smere hodinových ručičiek.

⚠️POZOR:

- Pri otočení rotačného stola sa uistite, že ste rukoväť zdvihli úplne.
- Po zmene uhla zrezania vždy zaistíte rotačný stôl pevným utiahnutím upínacej skrutky.

Nastavenie uhla skosenia

V režime zrezaného pílenia

Fig.11

Fig.12

Ak chcete nastaviť uhol skosenia, uvoľnite páku na zadnej časti nástroja proti smeru hodinových ručičiek, Potlačte rukoväť doľava, aby ste naklonili čepeľ píly, až kým ukazovateľ nesmeruje do požadovaného uhla na škále skosenia. Potom utiahnite páku v smere hodinových ručičiek, aby ste pevne zaistili rameno.

⚠️POZOR:

- Pri nakláňaní čepele píly sa uistite, že ste rukoväť zdvihli úplne.
- Po zmene uhla skosenia vždy zaistíte rameno utiahnutím páky v smere hodinových ručičiek.

V režime stolového pílenia

Fig.13

Ak chcete nastaviť uhol skosenia, uvoľnite páku pod stolom na prednej časti nástroja proti smeru hodinových ručičiek,

Posuňte hĺbkový otočný gombík doľava, aby ste naklonili čepeľ píly, až kým ukazovateľ nesmeruje do požadovaného uhla na škále skosenia. Potom utiahnite páku v smere hodinových ručičiek, aby ste pevne zaistili rameno.

Zapínanie

Fig.14

Prepnutie do režimu zrezaného pílenia

⚠️POZOR:

- Pred pripojením nástroja do zásuvky vždy skontrolujte, či spínacia páčka funguje správne a po uvoľnení sa vracia do vypnutej polohy.
- Keď nástroj nepoužívate, odstráňte odomykacie tlačidlo a uložte ho na bezpečnom mieste. Zabráňte tak neodbornému používaniu nástroja.
- Nevyťahujte silno páku spínača bez zatlačenia odomykacieho tlačidla. Môže to spôsobiť zlomenie spínača.

Aby sa zabránilo náhodnému vytiahnutiu spínacej páky, nachádza sa tu odomykacie tlačidlo. Ak chcete zapnúť nástroj, posuňte uzamykaciu páku doľava, stlačte uzamykacie tlačidlo a potom potiahnite spínaciu páku. Uvoľnením spínacej páky ho zastavíte.

Prepnutie do režimu stolového pílenia

⚠️POZOR:

- Pred úkonom sa uistite, že sa nástroj zapne a vypne.

Nástroj zastavíte stlačením tlačidla ON - ZAP (I). Nástroj zastavíte stlačením tlačidla OFF - VYP (O).

Nastavenie hĺbky rezu

Fig.15

Hĺbka rezu sa môže nastaviť otočením otočného nastavovacieho gombíka na nastavenie hĺbky rezania. Otočte otočný nastavovací gombík na nastavenie hĺbky

rezania v smere hodinových ručičiek, ak chcete čepeľ zodvihnúť, alebo proti smeru hodinových ručičiek, ak ju chcete znížiť.

⚠VAROVANIE:

- Použite nastavenie plytkej hĺbky, keď budete rezat' tenké materiály, aby ste získali čistejší rez.

⚠POZOR:

- Kolík zarážky nie je možné otočiť s hlavnicou nástroja v úplne zníženej polohe. V takomto prípade jemne otočte otočný gombík v smere hodinových ručičiek a kolík zarážky bude možné uvoľniť.

Fig.16

MONTÁŽ

⚠POZOR:

- Než začnete na nástroji robiť akékoľvek práce, vždy sa predtým presvedčte, že je vypnutý a vytiahnutý zo zásuvky.

Uloženie zastrkávacieho kľúča

Fig.17

Zastrkávací kľúč sa odkladá tak, ako je zobrazené na obrázku. Keď chcete použiť zastrkávací kľúč, vytiahnite ho z držiaka na kľúč. Po použití zastrkávací kľúč vráťte do držiaka na kľúč.

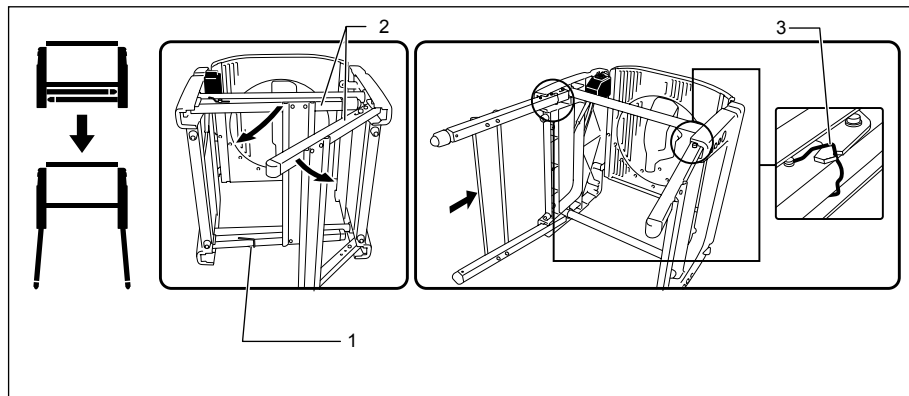
Dvojsmerné nastavenie výšky stola

Výška stola sa môže nastaviť dvoma spôsobmi, vysoký alebo nízky stôl.

⚠VAROVANIE:

- Pred zvalením nástroja smerom dozadu vždy nastavte nástroj do režimu zrezaného pílenia a uzamknite hlavicu nástroja do najnižšej polohy.

1. Nastavenie vysokého stola



1. Hák

2. Stopy

3. Hák zarážky

006043

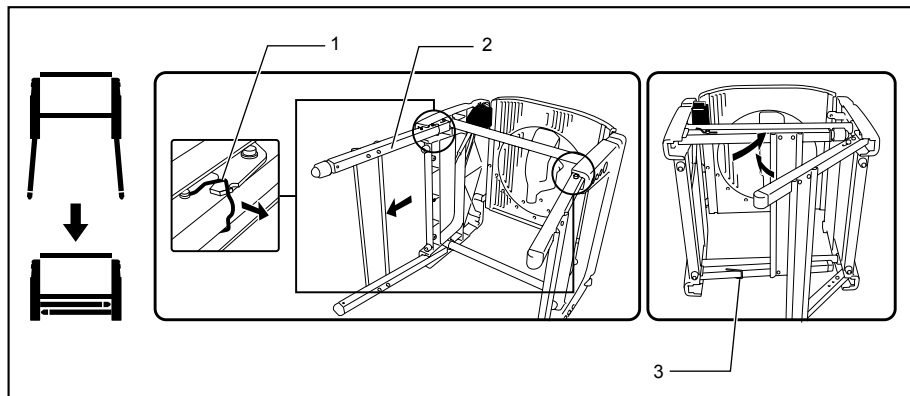
Ak chcete nastaviť nástroj s vysokým stolom, postupujte nasledovne.

- (1) Zvalte nástroj opatrne SMEROM DOZADU, zatiaľ čo ho budete držať oboma rukami.
- (2) Otočte hákom v smere šípky na obrázku, čím uvoľníte nohy. Otvorte nohy stola na jednej strane a úplne potlačte spodnú lištu nôh smerom dopredu, čím sa uzamknú. Vykonajte rovnaký postup pre nohy na opačnej strane. Uistite sa, že nohy na oboch stranách sú úplne uzamknuté.

⚠VAROVANIE:

- Uistite sa, že háky zarážky sú presne na svojom mieste v žliabku držiaka.
- (3) Vráťte nástroj do zvislej polohy.

2. Nastavenie nízkeho stola



1. Hák zarážky

2. Stopy

3. Hák

006044

Nohy sa môžu zložiť tak, ako je to zobrazené na obrázku. Ak chcete zložiť nohy nástroja, postupujte nasledovne.

- (1) Zvalte nástroj opatrne SMEROM DOZADU, zatiaľ čo ho budete držať oboma rukami.
- (2) Vytiahnite najprv zarážku v spoji ľavých nôh smerom ku sebe, čím ich odomknete.
- (3) Vykonaajte tie isté kroky pre nohy na opačnej strane.
- (4) Použite hák na uvoľnenie týchto nôh.
- (5) Vráťte nástroj do zvislej polohy.

Inštalácia alebo demontáž ostria píly

⚠POZOR:

- Vždy sa uistíte, že je nástroj vypnutý a odpojený pred inštaláciou alebo odstránením čepele.
- Používajte len dodaný Makita zastrkávací francúzsky kľúč na inštaláciu alebo odstránenie čepele. Ak tak neurobíte, môže to viesť k prílišnému utiahnutiu alebo k nedostatočnému utiahnutiu šesťbokej závovy. Toto môže zapríčiniť zranenie.

Nadvihnite rukoväť do úplne zdvihnutej polohy.

Stlačte posúvačový uzáver, aby sa uzamkol hriadeľ, použite zastrkávací francúzsky kľúč na uvoľnenie šesťbokej závovy v smere hodinových ručičiek.

Fig.18

Zdvihnite chránič čepele A s jej dvíhacou pákou, zároveň potlačte páku v blízkosti rukoväte doľava. So zdvihnutým chráničom čepele A odstráňte šesťbokú závoru, vonkajšiu obrubu a čepeľ.

Fig.19

Ak chcete nainštalovať čepeľ, namontujte ju opatrne do hriadeľa, uistite sa, že smer šípky na povrchu čepele sa

zhoduje so smerom šípky na puzdre čepele. Nainštalujte vonkajšiu obrubu a šesťbokú závoru a potom použite zastrkávací francúzsky kľúč na bezpečné utiahnutie šesťbokej závovy (ľavej) proti smeru hodinových ručičiek, zároveň stlačte posúvačový uzáver.

Fig.20

Fig.21

POZNÁMKA:

- Keď budete inštalovať čepeľ píly, dbajte na to, aby ste ju najprv medzi chrániča čepele B a potom ju zdvihnete, aby sa čepeľ nakoniec umiestnila do chrániča čepele B.

Pre všetky krajiny okrem Európy

Fig.22

⚠POZOR:

- Strieborný prstenec s vonkajším priemerom 25,4 mm je nainštalovaný do hriadeľa už vo výrobe. Čierny prstenec s vonkajším priemerom 25 mm je zahrnutý do štandardnej výbavy. Pred namontovaním čepele do hriadeľa sa vždy uistite, že do hriadeľa je nainštalovaný správny prstenec pre otvor hriadeľa čepele, ktorý chcete použiť.

Pre európske krajiny

⚠POZOR:

- Prstenec s vonkajším priemerom 30 mm je nainštalovaný medzi vnútornou a vonkajšou obrubou už vo výrobe.

Vráťte dolný chránič čepele A do jeho pôvodnej polohy. Znížte rukoväť, aby ste sa uistili, že dolné chrániče čepele sa pohybujú správne. Uistite sa ešte pred rezaním, že posúvačový uzáver uvoľnil hriadeľ.

Nastavenie štiepiaceho noža

Fig.23

Medzi štiepiacom nožom a zúbkami čepele musí byť vzdialenosť približne 5 - 6 mm, keď sa bude úplne posúvať štiepiaci nôž smerom k čepeľi. Nastavte štiepiaci nôž primerane k prvému ručnému uvoľneniu upínacej matice proti smeru hodinových ručičiek a potom k uvoľneniu šesťbokej závoru pomocou šesťbokého zastrkávacieho francúzskeho kľúča a zmerajte vzdialenosť. Po nastavení bezpečne utiahnite šesťbokú závoru a potom upínaciu maticu v smere hodinových ručičiek. Vždy sa pred rezaním uistite, že je štiepiaci nôž zaistený a že horný chránič čepele pracuje hladko.

Fig.24

Štiepiaci nôž bol nainštalovaný ešte pred odoslaním zo závodu tak, že čepeľ a štiepiaci nôž sú rovnobežné po vašej jednoduchej inštalácii. Pozrite si časť "Premiestnenie štiepiaceho noža", kde sú informácie o jeho nastavení.

Fig.25

⚠️ POZOR:

- Ak čepeľ a štiepiaci nôž nie sú správne vyrovnané, počas prevádzky sa môže objaviť nebezpečné zvieranie. Uistite sa, že štiepiaci nôž je umiestnený medzi oboma vonkajšími koncami zúbkov čepele, keď sa na ne budete pozerat' zhora. Môžete sa vážne poraniť, keď budete používať nástroj bez správne vyváženého štiepiaceho noža. Ak nie sú z akéhokoľvek dôvodu vyvážené, vždy prenechajte ich opravu na autorizované servisné centrum Makita.
- Keď budete nastavovať vzdialenosť štiepiaceho noža od zúbkov čepele, vždy uvoľnite šesťbokú závoru, ale len po uvoľnení upínacej matice.

Inštalácia a odstránenie ochranného zariadenia na pozdĺžne rezanie

Fig.26

1. Nainštalujte ochranného zariadenia na pozdĺžne rezanie na stôl tak, že držiak ochranného zariadenia zapadne do vodiacej lišty. Pevne utiahnite ťahovaciu skrutku (B) ochranného zariadenia na pozdĺžne rezanie v smere hodinových ručičiek.
2. Uvoľnite ťahovaciu skrutku (A).
3. Posuňte ochranné zariadenie na pozdĺžne rezanie a zaistíte ho tak, že vzdialenejší koniec ochranného zariadenia je vyrovnaný s bodom, v ktorom sa predný koniec čepele píly objaví pri pohľade z horného povrchu obrobku. Zámerom tohto nastavenia je znížiť riziko spätného vrhu voči pracovníkovi, ktorý odrezal kus z obrobku, ktorý je stisnutý medzi čepeľou píly a ochranným zariadením na pozdĺžne rezanie, a nakoniec je potlačené smerom k pracovníkovi. Čiara (A) sa

líši hrúbkou obrobku alebo úrovňou stola. Nastavte polohu ochranného zariadenia na pozdĺžne rezanie podľa hrúbky obrobku.

Po nastavení ochranného zariadenia na pozdĺžne rezanie pevne utiahnite ťahovaciu skrutku (A).

Fig.27

POZNÁMKA:

- Existujú štyri vzory, ako umiestniť ochranné zariadenie na pozdĺžne rezanie tak, ako je to zobrazené na obrázku. Ochranné zariadenie na pozdĺžne rezanie má dve štrbiny na bočných stranách, jednu štrbinu s vyvýšenou obrubou v blízkosti na tej istej strane a druhú bez toho. Použite povrch ochranného zariadenia na pozdĺžne rezanie s touto štrbinou smerujúcou k obrobku len vtedy, keď budete rezať do kusu tenkého obrobku.

Fig.28

POZNÁMKA:

- Ak chcete zmeniť vzor ochranného zariadenia na pozdĺžne rezanie, odstráňte ochranné zariadenie z držiaka ochranného zariadenia uvoľnením ťahovacej skrutky (A) a zmeňte smerovanie ochranného zariadenia smerom k držiaku ochranného zariadenia podľa toho, ako pracujete tak, ako je to zobrazené na obrázku. Vložte štvorcovú maticu na držiaku ochranného zariadenia do zadného konca jednej zo štrbín na ochrannom zariadení tak, že zapadne tak, ako je to zobrazené na obrázku.

Ak chcete zmeniť vzor A alebo B na vzor C alebo D, alebo opačne, odstráňte štvorcovú maticu a ťahovaciu skrutku (A) z držiaka ochranného zariadenia, potom umiestnite ťahovaciu skrutku (A) a štvorcovú maticu do opačnej polohy držiaka ochranného zariadenia v porovnaní s pôvodnou polohou. Bezpečne utiahnite ťahovaciu skrutku (A) po vložení štvorcovej matice držiaka ochranného zariadenia do štrbiny ochranného zariadenia.

Vložte štvorcovú maticu na držiaku ochranného zariadenia do zadného konca jednej zo štrbín na ochrannom zariadení tak, že zapadne tak, ako je to zobrazené na obrázku.

Fig.29

Ochranné zariadenie na pozdĺžne rezanie je nastavené už pri výrobe tak, že je rovnobežné s povrchom čepele. Uistite sa, že je rovnobežné. Aby ste sa uistili, že ochranné zariadenie je rovnobežné s čepeľou, nastavte výšku čepele pomocou nastavovacieho gombíka na nastavenie hĺbky rezania tak, že sa zo stola bude zdať, že je čepeľ v najvyššej polohe. Poznačte si jeden zo zúbkov čepele uhlikom. Zmerajte vzdialenosť (A) a (B) medzi ochranným zariadením na pozdĺžne rezanie a

čepelou. Vykonaňte obe merania a použite zúbok vyznačený uhlíkom. Tieto dve merania musia byť rovnaké. Ak ochranné zariadenie na pozdĺžne rezanie nie je rovnobežné s čepelou, postupujte nasledovne:

Fig.30

- (1) Otočte uťahovaciu skrutku proti smeru hodinových ručičiek.

Fig.31

Fig.32

- (2) Posuňte predný koniec ochranného zariadenia na pozdĺžne rezanie doprava alebo doľava, až kým nebude rovnobežný s čepelou.
- (3) Pevne utiahnite nastavovaciu skrutku na súprave ochranného zariadenia na pozdĺžne rezanie.

⚠POZOR:

- Uistite sa, že ste nastavili ochranné zariadenie na pozdĺžne rezanie tak, že je rovnobežné s čepelou, ináč sa môže vyskytnúť nebezpečný spätný vrh.
- Uistite sa, že ste nastavili ochranné zariadenie na pozdĺžne rezanie tak, že sa nedotýka horného chrániča čepele alebo čepele píly.
- Nepremiestňujte alebo neprenášajte nástroj pomocou ochranného zariadenia na pozdĺžne rezanie.
- Zdvihnutie nainštalovaného ochranného zariadenia na pozdĺžne rezanie alebo tlačenie smerom doprava alebo doľava tak, že rukami uchopíte jeho vrchnú časť, ho môže poškodiť alebo ovplyvniť jeho funkčnosť.

Inštalácia a odstránenie meradla zrezania

Fig.33

Nainštalujte meradlo zrezania tak, že vložíte jeho posúvač do jedného zo žliabkov v stole smerom spredu. Ochranné zariadenie zrezávania, ktoré sa tiež používa ako ochranné zariadenie na pozdĺžne rezanie, sa môže nainštalovať na meradlo zrezania v súlade s vašou prácou.

Vrecko na prach

Fig.34

Používanie vrecka na prach zabezpečuje čisté úkony rezania a uľahčuje zber prachu. Vrecko na prach umiestnite do prachového otvoru.

Ak je vrecko na prach približne napoly naplnené, odstráňte ho z nástroja a vytiahnite upínadlo. Vyprázdňte ho jemným vyklepaním tak, aby sa odlepili aj častice, ktoré by mohli brániť v ďalšom zbieraní prachu.

Fig.35

Ak pripojíte k vašej píle vysávač, dosiahnete účinnejšiu a čistejšiu prevádzku.

Fig.36

Kĺb

Fig.37

⚠POZOR:

- Nasmerujte vstupný otvor ohybu do toho smeru, v ktorom vyfukovaný prach a piliny nebudú lietat smerom k nástroju a k osobám v danom pracovnom prostredí.

Pripojte ohyb, keď budete meniť smer vyfukovania prachu.

Zaistenie obrobku

⚠VAROVANIE:

- Je veľmi dôležité vždy správne a pevne zaistiť obrobok vo zveráku. Ak to tak neurobíte, môže to spôsobiť poškodenie nástroja a/alebo zničenie obrobku. **VÝSLEDKOM MÔŽE BYŤ AJ OSOBNÉ ZRANENIE.** Tak isto po úkonoch rezania **NEZODVIHNITE** čepeľ, až kým sa čepeľ úplne nezastaví.

Vertikálny zverák

Fig.38

Vertikálny zverák sa môže nainštalovať v dvoch polohách buď na ľavej alebo pravej strane vodidla ochranného zariadenia. Zasuňte tyč zveráka do otvoru na vodidle ochranného zariadenia a utiahnite uťahovaciu skrutku, aby ste zaistili tyč zveráka.

Umiestnite rameno zveráka v závislosti od hrúbky a tvaru obrobku a zaistite rameno zveráka utiahnutím uťahovacej skrutky. Ak sa skrutka, ktorou zaistujete rameno zveráka, dotýka vodidla ochranného zariadenia, nainštalujte uťahovaciu skrutku na protilahlú stranu ramena zveráka. Uistite sa, že žiadna časť nástroja sa nedotýka zveráka, keď úplne budete znižovať rukoväť. Ak sa niektoré časti dotýkajú zveráka, zmeňte polohu zveráka.

Stlačte plochu obrobku oproti vodidlu ochranného zariadenia a rotačného stola. Umiestnite obrobok do požadovanej polohy rezania a pevne ho zaistite utiahnutím otočného gombíka zveráka.

⚠POZOR:

- Obrobok musí byť pevne zaistený oproti rotačnému stolu a vodidlu ochranného zariadenia.

Nastavenie nástroja v režime stolovej píly

⚠POZOR:

- Pred použitím v režime stolového pílenia sa uistite, že rotačný stôl bol zaistený v 0° uhle zrezania s uťahovacou skrutkou na vodidle ochranného zariadenia.
- Pred použitím v režime stolového pílenia sa uistite, že hlavica nástroja sa zaistila pomocou páky.
- Pred použitím v režime stolového pílenia sa uistite, že štiepiaci nôž sa správne zaistil na svojom mieste.

- Pred použitím v režime stolového pílenia odstráňte dolný chránič čepele C.
- V režime stolového pílenia uvoľnite zarážku dolného limitu.

Výrobok sa zo závodu odosiela nastavený v režime zrezaného pílenia. Pred použitím v režime stolového pílenia zmeňte nastavenie a nasledujte postup dole nižšie.

1. Zariadenie rotačného stola

Fig.39

Ak chcete zaistiť rotačný stôl, utiahnite pevne uťahovaciu skrutku na vodidle ochranného

zariadenia v 0° uhle zrezania.

2. Zariadenie hlavice nástroja

Fig.40

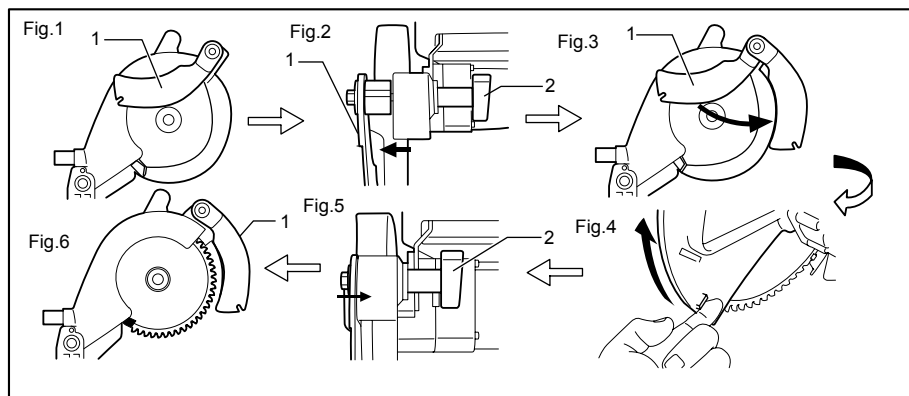
Zaistite hlavicu nástroja utiahnutím páky v smere šípky zobrazenej na obrázku.

3. Uvoľnenie dolného limitu zarážky

Fig.41

Uistite sa, že koniec zarážky dolného limitu je v polohe A na obrázku. Otočte koniec zarážky dolného limitu proti smeru hodinových ručičiek do polohy A, keď sa umiestni v polohe B.

4. Premiestnenie štiepiaceho noža



1. Štiepiaci nôž

2. Upínacia matica

006068

Daná poloha (obr. 1) sa má zmeniť nasledovne.

- (1) Uvoľnite uťahovaciu skrutku (obr. 2).
- (2) Vytiahnite a preklopte štiepiaci nôž do polohy v uhle 90° v smere šípky (obr. 3). A vtláče ho jemne tak, že bude vo svojej polohe nehybný.
- (3) Rukou úplne zdvihnite dolný chránič čepele A pomocou jeho držadla, zatiaľ čo potlačíte páku v blízkosti rukoväte doľava a uvoľnite páku v blízkosti rukoväte (obr. 4).
- (4) Potlačte štiepiaci nôž v smere šípky (pozri obr. 5) tak, že bude vyrovnaný s čepeľou píly.
- (5) Po potlačení štiepiaceho noža v smere šípky zobrazenej na obrázku uvoľnite dolný chránič čepele A.
- (6) Po vyrovnaní štiepiaceho noža bezpečne utiahnite uťahovaciu skrutku (pozri obr. 6).

5. Odstránenie dolného chrániča čepele C

Fig.42

Odstráňte dolný chránič čepele C zo stola uvoľnením uťahovacej skrutky.

6. Uzamknutie hlavice nástroja v úplne najnižšej polohe

Fig.43

Fig.44

Po nastavení štiepiaceho noža v polohe pre režim

stolového pílenia potiahnite zarážku v smere šípky A a otočte ju do uhla 90° v smere šípky B s vytiahnutou zarážkou. Potom znížte rukoväť, čím sa uzamkne hlavica nástroja.

⚠POZOR:

- Keď nie je možné uzamknúť hlavicu nástroja v úplne najnižšej polohe, otočte nastavovací gombík na nastavenie hĺbky niekoľkokrát v smere hodinových ručičiek.
- Pred vyklopením nástroja sa vždy uistite, že kolík zarážky sa bezpečne uzamkol v hlavici nástroja v dolnej polohe.

7. Vyklopenie nástroja

⚠VAROVANIE:

- Uistite sa, že je nástroj vypnutý a odpojený zo siete pred vyklopením.
- Keď budete stláčať dole páku, dbajte na to, aby ste umiestnili svoju ruku/prst mimo oblasti montáže páky a stola.

Fig.45

Podržte stredný koniec stola jednou rukou, potlačte páku dole druhou rukou, zatiaľ čo budete držať koniec stola pevne a preklopte opatrne stôl,

aby sa otočil. Podržte ho, až kým sa neuzamkne.

8. Inštalácia horného chrániča čepele

Fig.46

Stlačte tlačidlo horného chrániča čepele do jeho bočnej strany povrchu, umiestnite ho na zárez štiepiaceho noža so stlačeným tlačidlom a tlačidlo uvoľnite.

Po uvoľnení tlačidla sa uistite, či je horný chránič čepele zaistený tak, že sa ho pokúsite vytiahnuť.

⚠ POZOR:

- Po inštalácii horného chrániča čepele sa uistite, či pracuje hladko.

Nastavenie nástroja v režime zrezaného pílenia

⚠ VAROVANIE:

- Dbajte na to, aby ste nainštalovali dolný chránič čepele C pred použitím nástroja v režime zrezaného pílenia.

Ak chcete zmeniť nastavenie z režimu stolového pílenia do režimu zrezaného pílenia, vykonajte opačný postup,

ako je v časti "Nastavenie nástroja v režime stolového pílenia".

1. Odstránenie horného chrániča čepele

Stlačte tlačidlo horného chrániča čepele do jeho bočnej strany povrchu a potom len odoberte horný chránič čepele smerom hore s tlačidlom stlačeným.

2. Inštalácia dolného chrániča čepele C

Umiestnite dolný chránič čepele C na stôl tak, že zapadne do zárezu stola a utiahnite pevne uťahovaciu skrutku.

3. Vyklopenie nástroja

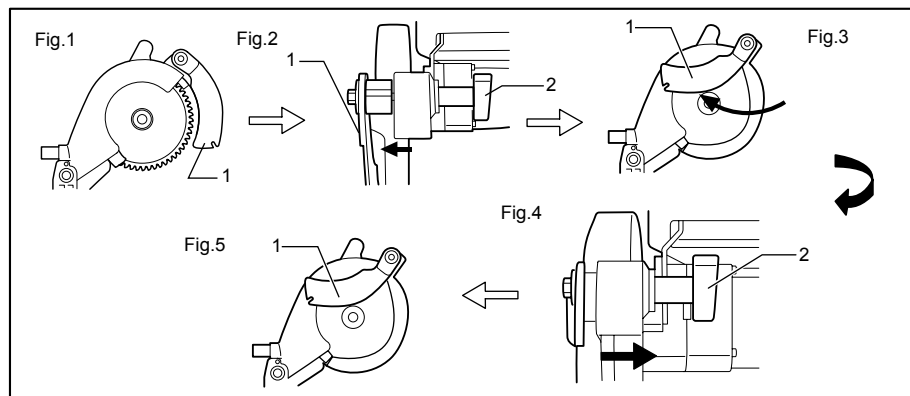
Pozrite si tak isto pomenovanú kapitolu v časti "Nastavenie nástroja v režime stolového pílenia".

4. Uvoľnenie hlavice nástroja z úplne najnižšej polohy

Fig.47

Zatiaľ čo držíte rukoväť, potiahnite kolík zarážky v smere šípky A, otočte ho do uhla 90° v smere šípky B s vytiahnutým kolíkom zarážky a potom pomaly zodvihnite rukoväť.

5. Premiestnenie štiepiaceho noža



1. Štiepiaci nôž

2. Uťahovacia matica

006075

Daná poloha štiepiaceho noža (obr. 1) sa má zmeniť nasledovne.

- Uvoľnite uťahovaciu skrutku a podržte rukou dolný chránič čepele A pomocou jeho držadla (obr. 2).
- Zatiaľ čo budete držať dolný chránič čepele A, vytiahnite štiepiaci nôž tak, že sa otočí a preklopte ho do polohy v smere šípky (obr. 3).
- So štiepiacim nožom v tejto polohe otočte dolný chránič čepele A do jeho pôvodnej polohy a bezpečne utiahnite uťahovaciu skrutku (obr. 4, 5).

6. Inštalácia alebo odstránenie podružných ochranných zariadení R a L

Fig.48

⚠ POZOR:

- Keď budete rezať obrobok s hrúbkou nad 20 mm, uistite sa, že podružné ochranné zariadenia R a L sú bezpečne nainštalované pomocou skrutky. Odstránenie podružných ochranných zariadení R a L je vhodné pri rezaní širokých a tenkých obrobkov. Keď budete rezať obrobok s hrúbkou do 20 mm a so šírkou viac ako 180 mm, odstráňte podružné ochranné zariadenia R a L odstránením skrutky tak, ako je to zobrazené na obrázku. Keď budete rezať obrobok s hrúbkou nad 20 mm,

bezpečne nainštalujte podružné ochranné zariadenia R a L pomocou skrutky.

Pozrite si tabuľku dole nižšie, kde nájdete súvislosti medzi veľkosťou obrobku a použitím/nepoužitím podružných ochranných zariadení R a L.

Fig.49

	Veľkosť obrobku (V x Š)	použití/nepoužití podružné ochranné zariadenia
1	68 mm x 155 mm	bez podružných ochranných zariadení
2	20 mm x 210 mm	bez podružných ochranných zariadení

006577

PRÁCA

⚠POZOR:

- Pred použitím dbajte na to, že uvoľníte rukoväť z dolnej polohy potiahnutím kolíka zarážky a otočíte ju do uhla 90°.
- Uistite sa, že sa čepeľ nedotýka obrobku atď. skôr, ako zapnete spínač.

REZANIE S PÍLOU NA ZREZÁVANIE

⚠VAROVANIE:

- Uistite sa, že dolný držiak čepele C je nainštalovaný ešte pred použitím režimu zrezaného pílenia.

⚠POZOR:

- Počas rezania príliš netlačte na rukoväť. Príliš veľký tlak môže zapríčiniť preťaženie motora a/alebo zníženú účinnosť rezania. Stlačte rukoväť len s takým tlakom, ktorý je potrebný pre hladké rezanie, a bez výrazného zníženia rýchlosti čepele.
- jemne stlačte rukoväť, aby sa vykonal rez. Ak sa rukoväť tlačí príliš veľkou silou alebo ak sa použije postranný tlak, čepeľ bude vibrovať a zanechá stopu (stopu píly) v obrobku a presnosť rezu bude narušená.

1. Tlakové rezanie

Fig.50

Zaistite obrobok oproti vodidlu ochranného zariadenia a rotačnému stolu. Zapnite nástroj bez toho, aby sa čepeľ niečoho dotýkala a počkajte, kým čepeľ nedosiahne plnú rýchlosť pred znížením. Potom jemne znížte rukoväť do úplne dolnej polohy, aby sa rezal obrobok. Keď je rez dokončený, vypnite nástroj a POČKAJTE, AŽ KÝM SA ČEPEĽ ÚPLNE NEZASTAVÍ pred vrátením čepele do úplne zdvihutej polohy.

2. Zrezávacie rezanie

Pozrite si predchádzajúcu časť "Nastavenie uhla zrezania".

3. Skosený rez

Fig.51

Uvoľnite páku a nakloňte čepeľ píly, aby ste nastavili uhol skosenia (pozrite si predchádzajúcu časť "Nastavenie uhla skosenia"). Dbajte na to,

aby ste pevne utiahli páku, aby ste bezpečne zaistili zvolený uhol skosenia. Zaistite obrobok oproti vodidlu ochranného zariadenia a rotačnému stolu. Zapnite nástroj bez toho, aby sa čepeľ niečoho dotýkala a počkajte, kým čepeľ nedosiahne plnú rýchlosť. Potom jemne znížte páku do úplne dolnej polohy, zatiaľ čo vytvoríte tlak rovnoobežne s čepeľou. Keď je rez dokončený, vypnite nástroj a POČKAJTE, AŽ KÝM SA ČEPEĽ ÚPLNE NEZASTAVÍ pred vrátením čepele do úplne zdvihutej polohy.

⚠POZOR:

- Vždy dbajte na to, aby sa čepeľ pohybovala smerom dole ku smeru skosenia počas skoseného rezu. Ruky si dajte preč z dráhy čepele píly.
- Počas skoseného rezu sa môže vytvoriť taký stav, kde odrezaný kus zostane oproti strane čepele. Ak sa čepeľ nadvihne, zatiaľ čo čepeľ ešte stále rotuje, tento kus môže čepeľ zachytiť, zapríčiniac tým, že sa úlomky roztrúsia, čo je nebezpečné. Čepeľ sa môže nadvihnúť LEN potom, ako sa čepeľ úplne zastavila.
- Keď budete stláčať rukoväť dole, zatlačte rovnoobežne na čepeľ. Ak tlak nie je rovnoobežný s čepeľou počas rezu, uhol čepele sa môže posunúť a presnosť rezu bude narušená.

4. Zložené rezanie

Zložené rezanie je postup, pri ktorom sa vytvorí uhol skosenia vtedy, keď sa na obrobku bude vyrezávať zrezaný uhol. Zložené rezanie je možné vykonať v uhle, ktorý je zobrazený v tabuľke.

Uhol skosenia	Uhol zrezania
45°	Vľavo a vpravo 0° - 45°

006366

Keď budete vykonávať zložené rezy, pozrite si vysvetlenia v častiach "Tlakové rezanie", "Zrezané rezanie" a "Skosené rezanie".

5. Rezanie hliníkových výliskov

Fig.52

Na zaistenie hliníkových výliskov použite bloky rozpery alebo kusy zvyškov tak, ako je to zobrazené na obrázku, aby ste predišli deformácii hliníka. Použite reznú kvapalinu, keď budete rezat' hliníkové výlisky, aby nedochádzalo k usadzovaniu hliníkového materiálu na čepeľi.

⚠POZOR:

- Nikdy sa nepokúšajte rezat' hrubé alebo oblé hliníkové výlisky. Hrubé hliníkové výlisky sa počas prevádzky môžu uvoľniť a oblé hliníkové výlisky nie je možné pevne zaistiť s týmito nástrojmi.
- Nikdy nerezte hliník v režime stolového pílenia (plošinovom režime).

pomocou bloku na zatlačenie na vrchu pomocného ochranného zariadenia, až kým sa rez nedokončí.

Fig.57

Križové rezanie

⚠️POZOR:

- Keď uskutočňujete križový rez, odstráňte ochranné zariadenie na pozdĺžne rezanie zo stola.
- Keď budete rezať dlhé alebo veľké obrobky, vždy zaistite adekvátnu podporu bočným stranám stola. Podpora musí byť v rovnakej výške ako stôl.
- Vždy si dajte ruky preč z dráhy čepele píly.

Meradlo zrezania

Použite meradlo zrezania pre 4 typy rezania, ktoré sú zobrazené na obrázku.

Fig.58

⚠️POZOR:

- Opatrne zaistite otočný gombík na meradle zrezania.
- Vyhnite sa preklzavaniu obrobku a meradla silným uchopením, predovšetkým keď sa reže uhol.
- NIKDY nedržte alebo neuchopíte určenú "odrezanú" časť obrobku.

Použitie meradla zrezania

Fig.59

Posuňte meradlo zrezania do hrubých žliabkov v stole. Uvoľnite otočný gombík na meradle a vyrovnajte do požadovaného uhla (od 0° do 60°). Umiestnite zásobník oproti ochrannému zariadeniu a jemne posuňte dopredu do čepele.

Doplňkové drevené obloženie (meradlo zrezania)

Fig.60

Aby ste zabránili rozkmitaniu dlhej dosky, nasadte meradlo zrezania s doskou pomocného ochranného zariadenia. Uťahnite pomocou závor/matíc po vyvŕtaní otvorov, ale upínadlá nesmú presahovať z prednej dosky.

Prenášanie nástroja

Fig.61

Uistite sa, že nástroj je odpojený zo siete. Pre nástroj, ktorý ste práve použili v režime zrezaného pílenia, zaistite čepeľ v skosenom uhle 0° a otočte stôl v zrezanom uhle 0°. Úplne znížte rukoväť a uzamknite ju v dolnej polohe úplným vtláčením kolíka zarážky. Nástroj preneste tak, že budete držať časť nástroja tak, ako je to zobrazené na obrázku.

Fig.62

⚠️POZOR:

- Pred prenesením nástroja vždy zaistíte všetky jeho pohyblivé časti.
- Pred prenesením nástroja ho vždy nastavte do režimu zrezaného pílenia.

- Uistite sa, že dolný chránič čepele C je nainštalovaný na nástroji.

ÚDRŽBA

⚠️POZOR:

- Než začnete robiť kontrolu alebo údržbu nástroja, vždy se presvedčte, že je vypnutý a vytiahnutý zo zásuvky.

⚠️VAROVANIE:

- Vždy dbajte o to, aby čepeľ bola ostrá a čistá, aby ste získali najlepšiu a najrýchlejšiu výkon.

Nastavenie uhla rezania

Tento nástroj je starostlivo nastavený a vyrovnaný už pri výrobe, ale neopatrné zaobchádzanie môže ovplyvniť vyrovnanie. Ak nie je váš nástroj správne vyrovnaný, vykonajte nasledovné:

1. Uhol zrezania

Fig.63

Nastavovacie závory s uhlom zrezania 0° sú umiestnené v štyroch polohách.

Uvoľnite nastavovacie závory s uhlom zrezania 0° ich otočením proti smeru hodinových ručičiek zo spodnej strany stola.

Úplne znížte rukoväť a uzamknite ju v dolnej polohe potiahnutím a otočením kolíka zarážky do uhla 90° v smere hodinových ručičiek. Vyrovnajte do pravého uhla bočnú stranu čepele pomocou prednej strany vodidla ochranného zariadenia pomocou trojuholníkového meradla, uhlomeru atď. Potom bezpečne zaistíte štyri nastavovacie závory na podružnom ramene zo spodnej strany stola. Uistite sa, že ukazovateľ smeruje do 0° na škále zrezania. Ak neukazuje, nastavte polohu ukazovateľa uvoľnením skrutky, ktorá zaistuje ukazovateľ. Po jeho nastavení skrutku bezpečne utiahnite.

Fig.64

2. Uhol skosenia

Fig.65

(1) 0° uhol skosenia

Úplne znížte rukoväť a uzamknite ju v dolnej polohe potiahnutím a otočením kolíka zarážky do uhla 90° v smere hodinových ručičiek. Uvoľnite páku na zadnej strane nástroja.

Otočte, zo spodnej strany stola, nastavovaciu závoru s uhlom skosenia 0° na pravej strane podružného ramena o dve alebo tri otočenia proti smeru hodinových ručičiek, aby ste naklonili čepeľ doprava.

Opatrne vyrovnajte do pravého uhla bočnú stranu stola s vrchným povrchom rotačného stola pomocou trojuholníkového meradla, uhlomeru atď. otočením nastavovaciu závoru s uhlom skosenia 0° v smere hodinových

ručičiek.

Fig.66

Uistite sa, že ukazovateľ na rotačnom stole ukazuje do 0° na škále skosenia na ramene. Ak ukazovateľ nesmeruje do 0°, uvoľnite skrutku, ktorá zaisťuje ukazovateľ, a nastavte ukazovateľ tak, že bude smerovať ku 0°.

Fig.67

- (2) 45° uhol skosenia
- Nastavte 45° uhol skosenia len po vykonaní nastavenia 0° uhla skosenia. Ak chcete nastaviť 45° uhol skosenia, uvoľnite páku a nakloňte čepeľ úplne doľava. Uistite sa, že ukazovateľ na ramene ukazuje do 45° na škále skosenia na ramene. Ak ukazovateľ nesmeruje do 45°, otočte, zo spodnej strany stola, nastavovaciu závoru s uhlom skosenia 45° na ľavej strane podružného ramena, až kým ukazovateľ nebude smerovať do 45°.

Výmena uhlíkov

Fig.68

Uhlíky pravidelne vyberajte a kontrolujte. Ak sú opotrebované až po medznú značku, vymeňte ich. Uhlíky musia byť čisté a musia voľne zapadať do svojich držiakov. Oba uhlíky treba vymieňať súčasne. Používajte výhradne rovnaké uhlíky.

Pomocou šraubováka odskrutkujte veká uhlíkov. Vyjmite opotrebované uhlíky, vložte nové a zaskrutkujte veká naspäť.

Fig.69

Po použití

- Po použití zotrite piliny a prach, ktoré sa prilepili na nástroj, pomocou handričky alebo čohosi podobného, aby ste zaistili čo najdlhšiu životnosť. Udržujte chrániče čepele čisté podľa pokynov v predchádzajúcej časti "Chránič čepele". Namažte posuvné časti strojovým olejom, aby ste predišli hrdzaveniu.

Kvôli zachovaniu BEZPEČNOSTI a SPOLAHLIVOSTI výrobkov musia byť opravy a akákoľvek ďalšia údržba či nastavovanie robené autorizovanými servisnými strediskami firmy Makita a s použitím náhradných dielov Makita.

PRÍSLUŠENSTVO

⚠POZOR:

- Pre váš nástroj Makita, opísaný v tomto návode, doporučujeme používať toto príslušenstvo a nástavce. Pri použití iného príslušenstva či nástavcov môže hroziť nebezpečenstvo zranenia osôb. Príslušenstvo a nástavce sa môžu používať len na účely pre ne stanovené.

Ak potrebujete bližšie informácie týkajúce sa tohoto príslušenstva, obráťte sa na vaše miestne servisné stredisko firmy Makita.

- Oceľové čepele píľ s karbidovým koncom
- Vertikálny zverák
- Zastrkávací francúzsky kľúč 13-3
- Vrecko na prach
- Trojuholníkové pravítko
- Protiprachový kryt (Dolný chránič čepele C)
- Zatláčacia tyč
- Súprava pravítka (Ochranné zariadenie na pozdĺžne rezanie)
- Meradlo zrezania
- Fixné dosky (3 kusy)
- Šestiboké skrutky s maticou (3 kusy)
- Kĺb
- Súprava vrchného krytu (chránič vrchnej čepele)

ČESKÝ

Legenda všeobecného vyobrazení

- 1-1. Stavěcí šroub
1-2. Noha
2-1. Upevňovací deska
2-2. Hex. šroub
3-1. Drážky tvaru U
4-1. Dolní kryt kotouče A
4-2. Dolní kryt kotouče B
5-1. Dolní kryt kotouče A (používá se pouze v režimu pokosové pily)
6-1. Tlačítko
6-2. Rozvírací klín
6-3. Horní kryt kotouče (používá se v režimu stolní pily)
7-1. Horní povrch otočného stolu
7-2. Obvod kotouče
7-3. Vodicí pravítko
8-1. Dolní koncová zarážka
8-2. Stavěcí šroub
8-3. Matice
9-1. Šroub
9-2. Vodicí pravítko
10-1. Držadlo
10-2. Otočný stůl
11-1. Páčka
12-1. Držadlo
13-1. Páčka
13-2. Šroub pro nastavení hloubky řezu
14-1. Spínač v režimu pokosové pily
14-2. Spínač v režimu stolní pily
14-3. Odjišťovací tlačítko
14-4. Spoušť
14-5. Držadlo
14-6. Páčka
14-7. Tlačítko Zap
14-8. Tlačítko Vyp
15-1. Šroub pro nastavení hloubky řezu
16-1. Čep zarážky
17-1. Nástrčný klíč
17-2. Držák klíče
18-1. Nástrčný klíč
18-2. Zámek hřídele
18-3. Hex. šroub
19-1. Páčka
19-2. Zvedací páka
20-1. Pilový list
20-2. Kryt kotouče B
21-1. Pouzdro kotouče
21-2. Šipka
21-3. Pilový list
21-4. Šipka
22-1. Hex. šroub
22-2. Vnější příruba
22-3. Pilový list
22-4. Vnitřní příruba
22-5. Vřeteno
22-6. Prsteneček
23-1. Upínací matice
23-2. Hex. šroub
23-3. Rozvírací klín
24-1. Rozvírací klín
24-2. Pilový list
25-1. Šířka kotouče
25-2. Rozvírací klín
25-3. Hex. šroub
26-1. Držák podélného pravítka
26-2. Vodicí kolejnice
26-3. Upínací šroub (A)
26-4. Upínací šroub (B)
26-5. Podélné pravítko
27-1. Podélné pravítko
27-2. Držák podélného pravítka
27-3. Ryska k nastavení
27-4. Pilový list
27-5. Horní stůl
27-6. Zpracovávaný díl
28-1. Podélné pravítko
28-2. Držák podélného pravítka
28-3. Pilový list
29-1. Podélné pravítko
29-2. Držák podélného pravítka
29-3. Čtvercová matice
29-4. Upínací šroub (A)
29-5. Upínací šroub (B)
30-1. Stupnice
31-1. Podélné pravítko
31-2. Držák podélného pravítka
31-3. Stavěcí šroub
32-1. Podélné pravítko
32-2. Pilový list
32-3. Horní kryt kotouče
33-1. Vodicí měřidlo pokosu
33-2. Měřidlo pokosu
33-3. Drážky
34-1. Prachová hubice
34-2. Vak na prach
35-1. Vak na prach
35-2. Upevňovací prvek
37-1. Prachová hubice
37-2. Kolen
38-1. Rameno svěráku
38-2. Tyč svěráku
38-3. Vodicí pravítko
38-4. Knoflík svěráku
38-5. Šroub
39-1. Šroub
39-2. Vodicí pravítko
40-1. Páčka
41-1. Dolní koncová zarážka
41-2. Stavěcí šroub
42-1. Šroub
43-1. Čep zarážky
44-1. Hlava pily zajištěná v poloze úpné dole
45-1. Páčka
45-2. Místo na páce, kde se pokládá ruka/prst
45-3. Háčky
46-1. Tlačítko
46-2. Rozvírací klín
46-3. Horní kryt kotouče (používá se v režimu stolní pily)
47-1. Čep zarážky
48-1. Vodicí pravítko
48-2. Pomocné vodicí R
48-3. Pomocné vodicí L
48-4. Kolík
48-5. Šroub
49-1. Je-li odstraněno pomocné vodicí
49-2. Je-li umístěno pomocné vodicí
50-1. Svěrák (volitelné příslušenství)
51-1. Svěrák (volitelné příslušenství)
52-1. Svěrák
52-2. Distanční blok
52-3. Vodicí pravítko
52-4. Hliníkový výlisek
52-5. Distanční blok
53-1. Rovnoběžné s plochou/hranou
55-1. Tlačná tyč
56-1. Pomocné pravítko
57-1. Tlačný blok
57-2. Pomocné pravítko
58-1. PŘÍČNÉ ŘEZÁNÍ
58-2. POKOSOVÉ ŘEZÁNÍ
58-3. ŠIKMÉ ŘEZÁNÍ
58-4. SLOŽENÉ POKOSOVÉ ŘEZÁNÍ (ÚHLOVÉ)
59-1. Drážka
59-2. Měřidlo pokosu
59-3. Knoflík
61-1. Čep zarážky
62-1. Místo úchopu určené k přenašení
64-1. Trojúhelníkové pravítko
64-2. Pilový list
64-3. Vodicí pravítko
65-1. Stavěcí šroub 0°
65-2. Stavěcí šroub pro šikmý řez 45°
66-1. Trojúhelníkové pravítko
66-2. Pilový list
66-3. Horní povrch otočného stolu
67-1. Rameno
67-2. Stupnice úkosu

TECHNICKÉ ÚDAJE

Model	LF1000
Průměr listu	260 mm
Průměr otvoru	
Pro země Evropy	30 mm
Max. kapacita řezu (V x Š) při průměru kotouče 260 mm v režimu pokosové pily	

Úhel úkosu	Úhel pokosu
	0°
0°	20 mm x 210 mm
	68 mm x 155 mm
45° (vlevo)	50 mm x 150 mm

Max. kapacita řezu při úhlu 90° v režimu stolní (stolové) pily	70 mm
Otáčky naprázdno (min ⁻¹)	2 700
Rozměry stolu (Š x D)	500 mm x 555 mm
Rozměry (L x W x H1(poznámka 1)/H2(poznámka 2)) v režimu pokosové pily v režimu stolní pily	660 mm x 650 mm x 1 220 mm / 800 mm 660 mm x 650 mm x 1 060 mm / 845 mm
Hmotnost netto	32 kg
Třída bezpečnosti	II

Poznámka1 H1: Výška k hlavě nástroje

Poznámka2 H2: Výška ke stolu

• Vzhledem k neustálému výzkumu a vývoji zde uvedené technické údaje podléhají změnám bez upozornění.

• Poznámka: Technické údaje se mohou pro různé země lišit.

END213-4

Symbols

Níže jsou uvedeny symboly, se kterými se můžete při použití nástroje setkat. Je důležité, abyste dříve, než s ním začnete pracovat, pochopili jejich význam.



• Přečtěte si návod k obsluze.



• DVOJITÁ IZOLACE



• Chcete-li zamezit odletování odpadu, držte po dokončení řezu hlavu pily dole, dokud se kotouč úplně nezastaví.



• Neumisťujte ruce ani prsty do blízkosti kotouče.



• K zajištění vlastní bezpečnosti odstraňte před zahájením provozu z povrchu stolu třísky, drobný materiál, apod.



• Před přetočením nástroje okolo osy jej nejdříve odpojte od elektrické sítě.



• Při přenášení mějte ruce na správném místě.



• Při instalaci a demontáži podélného pravitka nezvedejte jeho horní konec.



• Pouze pro země EU
Nevyhazujte elektrická zařízení spolu s domovním odpadem!
Podle Nařízení Evropské rady 2002/96/EC o likvidaci elektrických a elektronických zařízení a jejího provádění v souladu s národními zákony, elektrická zařízení musí být poté, co doslouží, shromazďována samostatně a vrácena k ekologické recyklaci.

ENE061-1

Určení nástroje

Nástroj je určen k přesnému přímému a pokosovému řezání dřeva. Nástroj lze používat jak v režimu pokosové pily, tak v režimu stolní pily otočením stolu okolo jeho osy.

ENF002-1

Napájení

Nástroj lze připojit pouze k odpovídajícímu zdroji s napětím stejným, jaké je uvedeno na typovém štítku, a může pracovat pouze s jednofázovým střídavým napětím. V souladu s evropskými normami má dvojitou izolaci a může být proto napájen ze zásuvek bez

zemnicího vodiče.

ENG037-1

Pouze pro evropské země

Hluk a vibrace

Typické A-vážené úrovně hlučnosti jsou

úroveň akustického tlaku: 92 dB (A)

úroveň akustického výkonu: 105 dB (A)

Používejte pomůcky na ochranu sluchu.

Typická vážená střední kvadratická hodnota zrychlení nepřekračuje 2,5 m/s².

Tyto hodnoty byly získány podle normy EN 61029.

ENH015-4

Model; LF1000

PROHLÁŠENÍ O SHODĚ S NORMAMI EU

Prohlašujeme na naši vlastní odpovědnost, že tento výrobek je ve shodě s následujícími normami nebo standardizovanými dokumenty;

EN 61029, EN 55014, EN 61000 v souladu se směrnicemi Rady 89/336/EEC, 98/37/EC.

Osvědčení o přiměřenosti technického souboru podle normy 98/37/EC bylo získáno od následující notifikované osoby:

Intertek SEMKO AB, Torshamnsgatan 43, Box 1103, SE-164 22 Kista, Švédsko

Yasuhiko Kanzaki **CE2005**



000087

ředitel

MAKITA INTERNATIONAL EUROPE LTD.

Michigan Drive, Tongwell, Milton Keynes, Bucks MK15 8JD, ANGLIE

Odpovědný výrobce:

Makita Corporation Anjo Aichi Japan

ENB094-2

DOPLŇKOVÁ BEZPEČNOSTNÍ PRAVIDLA PRO NÁSTROJ

PRO REŽIM POKOSOVÉ PILY I STOLNÍ PILY:

1. Používejte ochranu zraku a sluchu. Používejte další vhodné osobní ochranné prostředky.
2. Během provozu NIKDY nepoužívejte rukavice. Tento požadavek neplatí při výměně pilových kotoučů a manipulaci s hrubým materiálem před zahájením práce.
3. Udržujte plochu okolo nástroje v dobrém stavu bez volných materiálů, jako jsou například třísky a odřezky.
4. Neprovazujte pilu bez krytů a rozviračích klínů. Před každým použitím zkontrolujte řádné uzavření krytů kotouče. Neprovazujte pilu, pokud se kryty kotouče nepohybují volně a okamžitě se uzavřou. Nikdy neupínajte ani neuchycujte kryty kotouče v otevřené poloze. Případnou nesprávnou funkci krytů kotouče je nutno okamžitě napravit.
5. Před nebo při instalaci kotouče vyčistěte a

dbejte, abyste nepoškodili vřetenou, příruby (zejména instalační povrch) a šroub s šestihrannou hlavou. Poškození těchto dílů může vést k roztržení kotouče. Nesprávná instalace může způsobit vibrace/vyklání nebo prokluzování kotouče. Používejte pouze příruby určené pro tento nástroj.

6. Před zahájením provozu pečlivě zkontrolujte kotouče, zda nevykazují známky trhlin nebo poškození. Nepoužívejte poškozený nebo zdeformovaný pilový kotouč.
7. Používejte pouze pilové kotouče doporučené výrobcem splňující požadavky normy EN 847-1. Tloušťka rozviračích klínů nesmí být větší než šířka řezu prováděného pilovým kotoučem a tenčí než tělo kotouče.
8. Vždy používejte příslušné doporučené v této příručce. Použití nesprávného příslušenství, jako jsou například rozbrušovací kotouče, může způsobit poranění.
9. Zvolte správné pilové kotouče odpovídající řezanému materiálu.
10. Nepoužívejte pilové kotouče vyrobené z rychlořezné oceli.
11. Pracujte vždy s ostrým a čistým kotoučem. Omezte tak hladinu vznikajícího hluku.
12. Používejte správně naostřené pilové kotouče. Dodržujte maximální otáčky vyznačené na pilovém kotouči.
13. Neřežte kovové předměty, jako jsou hřebíky a šrouby. Před zahájením provozu zkontrolujte a odstraňte z dílu všechny případné hřebíky, šrouby a další nežádoucí materiál.
14. PŘED zahájením řezání z dílu vyklepněte jakékoliv volné suky.
15. Nepoužívejte nástroj v místech, kde se nacházejí hořlavé kapaliny nebo plyny.
16. K zajištění vlastní bezpečnosti odstraňte před připojením nástroje ke zdroji napájení a zahájením práce z pracoviště a povrchu stolu třísky, drobný materiál, apod.
17. Obsluha musí být odpovídajícím způsobem vyškolená v používání, seřizování a provozování nástroje.
18. Udržujte své ruce a tělo okolostojící osoby mimo dráhu pilového kotouče. Nestůjte přímo za pilovým kotoučem. Vyvarujte se kontaktu s dobíhajícími kotoučem. Dobíhající kotouč může způsobit zranění. Nikdy se nenaklánějte přes pilový kotouč.
19. Během opakovaných a monotónních činností zachovávejte neustále pozornost. Nenechte se ukořebat falešným pocitem bezpečnosti. Kotouče neodpouštějí žádné chyby.
20. Dbejte, aby byl před aktivací spínače uvolněn zámek hřídele.
21. Před použitím nástroje na skutečném dílu jej

nechejte na chvíli běžet. Sledujte, zda nevznikají vibrace nebo viklání, které by mohly signalizovat špatně nainstalovaný nebo nedostatečně vyvážený kotouč.

22. Před řezáním počkejte, dokud kotouč nedosáhne plných otáček.
23. Nástroj nepoužívejte pro řezání drážek či polodrážek.
24. Vyvarujte se odstraňování jakýchkoliv odřezků nebo jiných částí dílu z oblasti řezání během provozu nástroje, kdy se hlava pily nenachází v klidové poloze.
25. Pokud si během provozu povšimnete čehokoliv neobvyklého, přerušete okamžitě práci.
26. Před přesunováním dílu nebo změnou nastavení nástroj vypněte a počkejte, dokud se nezastaví pilový kotouč.
27. Před výměnou kotouče, prováděním servisu nebo pokud nástroj nepoužíváte, odpojte jej od zdroje napájení.
28. Některých prach vzniklý při provozu obsahuje chemikálie, o kterých je známo, že způsobují rakovinu, vrozené vady nebo jiná ohrožení reprodukčního systému. Takovými chemikáliemi jsou například:
 - olovo z materiálu opatřeného nátěrem na bázi olova a
 - arsen a chrom z chemicky ošetřeného řeziva.Riziko spojené s vystavením těmto materiálům se liší podle toho, jak často provádíte tento typ práce. Chcete-li omezit expozici těmto materiálům: pracujte na dobře větraném místě a používejte schválené bezpečnostní vybavení, jako jsou například protiprachové masky speciálně určené k odfiltrování mikroskopických částic.
29. Při řezání připojte nástroj k zařízení na odsávání prachu.
30. Po otočení páčky se přesvědčte, zda je stůl pevně uchycen.

POUŽITÍ V REŽIMU POKOSOVÉ PILY:

31. Nepoužívejte pilu k řezání jiných materiálů, než je dřevo, hliník a podobné materiály.
32. Při řezání dílu v blízkosti pilového kotouče neprovádějte žádnou operaci ručním přidržováním. Během všech činností musí být díl pevně uchycen na otočném stole a vodicím pravítkem.
33. Přesvědčte se, zda je otočný stůl řádně zajištěn, aby se během provozu nemohl pohybovat.
34. Při úkosování dbejte, aby byla rameno pevně zajištěno. Rameno upevněte otočením páčky ve směru hodinových ručiček.
35. Před zapnutím spínače se přesvědčte, zda se

kotouč nedotýká otočného stolu v nejnižší poloze a zda se nedotýká dílu.

36. Pevně uchopte držadlo. Nezapomeňte, že se pila během spouštění a zastavování posunuje mírně nahoru nebo dolů.

POUŽITÍ V REŽIMU STOLNÍ PILY:

37. Neprovádějte žádnou operaci ručním přidržováním. Termín ruční přidržování označuje situaci, kdy jsou místo podélného pravítka použity k podepření nebo vedení dílu ruce.
38. Přesvědčte se, zda je bezpečně zajištěn otočný stůl.
39. Dbejte, aby bylo rameno bezpečně uchyceno v provozní poloze. Rameno upevněte otočením páčky ve směru hodinových ručiček.
40. Při práci v blízkosti pilového kotouče používejte tlačnou tyč nebo tlačný blok, aby nedošlo ke zranění rukou či prstů.
41. Před zapnutím spínače se přesvědčte, zda se kotouč nedotýká rozviračního klínu nebo dílu.
42. Pokud tlačnou tyč nepoužíváte, vždy ji uložte.
43. Věnujte zvýšenou pozornost pokynům týkajícím se omezení rizika ZPĚTNÉHO RÁZU. ZPĚTNÝ RÁZ je náhlá reakce na skřípnutý, zachycený nebo nesprávně seřizený pilový kotouč. ZPĚTNÝ RÁZ způsobuje vystřelení dílu z nástroje směrem zpět k obsluze. ZPĚTNÉ RÁZY MOHOU ZPŮSOBIT VÁŽNÉ ZRANĚNÍ OSOB. ZPĚTNÉMU RÁZU se lze vyhnout dodržením následujících pokynů. Udržujte kotouče v ostrém stavu. Zajistěte rovnoběžnost podélného pravítka a kotouče. Udržujte rozvirační klín a kryt kotouče na správném místě a používejte je správným způsobem. Neuvolňujte díl, dokud jste jej neprotlačili úplně za kotouč. Nezpracovávejte díly, které jsou zkroucené nebo zdeformované a nemají rovnou hranu, kterou by bylo možno použít pro vedení dílu podél vodička.
44. Vyhněte se náhlému a rychlému přivádění. Při řezání tvrdých dílů materiál přisunujte co nejpomaleji. Při posouvání díl neohýbejte ani s ním nekrutěte. Dojde-li k zastavení nebo zablokování kotouče v dílu, okamžitě nástroj zastavte. Odpojte nástroj. Poté odstraňte příčinu zablokování.
45. Před překlopením nástroje se vždy ujistěte, že zarážkový čep bezpečně uchytí hlavu nástroje v nejnižší poloze.

TYTO POKYNY USCHOVEJTE.

INSTALACE

⚠POZOR:

Udržujte plochu okolo nástroje v dobrém stavu bez volných materiálů, jako jsou například třísky a odřezky.

Montáž stolu

Úplně vysunutě patky při nastavení jako vysoký stůl

Nelze-li nástroj ustavit tak, aby byl stabilní, otáčejte stavěcí maticí na patce nástroje, dokud nebude zajištěna řádná stabilita. Otáčením proti směru hodinových ručiček při pohledu shora se patka zkracuje, zatímco při otáčení ve směru hodinových ručiček se patka prodlužuje. Po seřízení se přesvědčte, zda je nástroj stabilní.

Fig.1

Nainstalujte na tři patky pomocí šroubů s šestihrannou hlavou upevňovací desky tak, aby jejich zkosená část směřovala ven. Zajistěte nástroj ke stabilnímu a rovnému povrchu třemi šrouby prostřednictvím otvorů pro šrouby, které jsou k dispozici v upevňovacích deskách.

Fig.2

Sklopené patky při nastavení jako nízký stůl

Fig.3

Je-li nástroj připraven v poloze se sklopenými patkami, zajistěte jej pomocí drážek tvaru U, jak je ilustrováno na obrázku.

POPIS FUNKCE

⚠POZOR:

- Před nastavováním nástroje nebo kontrolou jeho funkce se vždy přesvědčte, že je vypnutý a vytážený ze zásuvky.

Kryt kotouče

Fig.4

Fig.5

Fig.6

⚠POZOR:

- Přesvědčte se, že držadlo nelze spustit dolů bez stisknutí páčky nalevo od držadla.
- Přesvědčte se, že se dolní kryty kotouče A neotevřou, dokud není páčka v blízkosti držadla zatlačena do polohy úplně nahoře vzhledem k držadlu.
- Před použitím režimu pokosové pily nainstalujte dolní kryt kotouče C.

Při spouštění držadla a stisknutí páčky nalevo se automaticky zvedá dolní kryt kotouče A. Dolní kryt kotouče B se zvedá, jakmile se dotkne dílu. Dolní kryty kotouče jsou odpruženy, a proto se po ukončení řezu a zvednutí rukojeti vrací do své původní polohy. Horní kryt kotouče se usadí na povrchu stolu poté, kdy pod ním prošel zpracováváný díl. NIKDY NEPOTLAČUJTE

FUNKCI ANI NEDEMONTUJTE DOLNÍ KRYTÝ KOTOUČE NEBO PRUŽINU UCHYCENOU K DOLNÍMU NEBO HORNÍMU KRYTÝ KOTOUČE s výjimkou poznámky uvedené níže.

V zájmu osobní bezpečnosti vždy udržujte všechny kryty kotouče v dobrém provozním stavu. Případnou nesprávnou funkci krytů je nutno okamžitě odstranit. Zkontrolujte správu funkci pružiny zajišťující návrat dolních krytů kotouče. NIKDY NÁSTROJ NEPOUŽÍVEJTE, POKUD JE POŠKOZEN, VADNÝ NEBO DEMONTOVÁN DOLNÍ KRYTÝ KOTOUČE, PRUŽINA NEBO HORNÍ KRYTÝ KOTOUČE s výjimkou poznámky uvedené níže. V OPAČNÉM PŘÍPADĚ EXISTUJE VYSOKÉ RIZIKO VÁŽNÉHO ZRANĚNÍ.

POZNÁMKA:

- Při demontáži krytů existují následující výjimky. Dolní kryt kotouče C se demontuje pouze při použití nástroje v režimu stolní pily. Horní kryt kotouče se demontuje pouze při použití nástroje v režimu pokosové pily.

V případě znečištění libovolného z těchto průhledných krytů kotouče nebo pokud k němu přilnuly piliny tak, že již dále není vidět kotouč, odpojte pilu od zdroje napájení a pečlivě kryty vyčistěte navlhčenou tkaninou. Při čištění plastového krytu nepoužívejte rozpouštědla ani ropné čisticí prostředky.

Dojde-li k velkému znečištění dolního krytu kotouče A a omezení viditelnosti přes kryt, postupujte následovně. Zvedněte držadlo úplně nahoru. Demontujte pilový kotouč (viz odstavec „Instalace a demontáž pilového kotouče“). Stiskněte páčku doleva a zvedněte dolní kryt kotouče A. Po přesunutí dolního krytu kotouče A do této polohy lze čištění provést úplněji a efektivněji. Po dokončení čištění použijte obrácený postup a dotáhněte šroub.

V případě horního krytu kotouče jak je uvedeno výše stiskněte tlačítko na jeho přední straně k povrchu a demontujte horní kryt kotouče. Po čištění jej opět vždy nainstalujte bezpečně zpět.

Dojde-li k odbarvení libovolného z těchto krytů stárnutím nebo působením ultrafialového záření, objednejte si v servisním středisku Makita nový kryt. NEPOTLAČUJTE FUNKCI KRYTŮ ANI JE NEDEMONTUJTE.

Zajištění maximální kapacity řezání

Fig.7

Nástroj byl u výrobce seřízen tak, aby bylo maximální kapacity řezání dosaženo při použití pilového kotouče 260 mm.

Při instalaci nového kotouče vždy zkontrolujte dolní koncovou polohu kotouče a v případě potřeby ji seřídte následujícím způsobem:

⚠POZOR:

- Při tomto seřizování nástroj odpojte od zdroje napájení.

Nejdříve odpojte nástroj od zdroje napájení. Spustte držadlo úplně dolů. Klíčem otáčejte stavěcím šroubem, dokud se obvod kotouče nevysune mírně pod horní povrch otočného stolu v místě, kde se přední povrch vodícího pravítka setkává s horním povrchem otočného stolu.

Odpojte nástroj od zdroje napájení. Přidrte držadlo v poloze úplně dole, otáčejte rukou kotoučem a přesvědčte se, zda se kotouč nedotýká žádné části dolní základny. V případě potřeby proveďte mírné seřízení.

⚠POZOR:

- Po instalaci nového kotouče se vždy přesvědčte, zda se kotouč nedotýká žádné části dolní základny, je-li držadlo v poloze úplně dole. Tuto kontrolu vždy provádějte, když je nástroj odpojen od zdroje napájení.

Nástroj lze používat s nebo bez dolního limitu posunutím dolní koncové zarážky, jak je ilustrováno na obrázku. Chcete-li nástroj používat bez dolního limitu, otáčejte koncem zarážky proti směru hodinových ručiček. Tato poloha je výhodná při řezání širokých a tenkých dlů. Chcete-li nástroj používat s dolním limitem, přesuňte konec zarážky ve směru hodinových ručiček. Tato poloha je určena k řezání dlů s velkou tloušťkou.

Fig.8

Nastavení úhlu pokosu

Fig.9

Fig.10

Povolte upínací šroub na vodícím pravítku otáčením proti směru hodinových ručiček. Otáčejte stolem rukou. Jakmile se držadlo nachází v poloze, kde je ukazatel zaměřen na požadovaný úhel na stupnici pokosu, pevně dotáhněte upínací šroub ve směru hodinových ručiček.

⚠POZOR:

- Při otáčení otočného stolu je nutno úplně zvednout rukojeť.
- Po změně úhlu pokosu vždy otočný stůl zajistěte pevným utažením upínacího šroubu.

Nastavení úhlu úkosu

V režimu pokosové pily

Fig.11

Fig.12

Chcete-li upravit úhel úkosu, otočte páčku na zadní straně nástroje proti směru hodinových ručiček.

Zatlačte držadlo doleva a sklápějte pilový kotouč, dokud nebude ukazatel nastaven na požadovaný úhel na stupnici úkosu. Poté rameno zajistěte přesunutím páčky ve směru hodinových ručiček.

⚠POZOR:

- Při sklápění pilového kotouče je nutno úplně zvednout rukojeť.
- Po úpravě úhlu úkosu rameno vždy zajistěte otočením páčky ve směru hodinových ručiček.

V režimu stolní pily

Fig.13

Chcete-li upravit úhel úkosu, otočte páčku pod stolem na přední straně nástroje proti směru hodinových ručiček. Posunujte regulační knoflík hloubky doleva a sklápějte pilový kotouč, dokud nebude ukazatel nastaven na požadovaný úhel na stupnici úkosu. Poté rameno zajistěte přesunutím páčky ve směru hodinových ručiček.

Zapínání

Fig.14

Spínač režimu pokosové pily

⚠POZOR:

- Před připojením nástroje do zásuvky vždy zkontrolujte, zda spínací páčka funguje správně a po uvolnění se vrací do vypnuté polohy.
- Pokud nástroj nepoužíváte, demontujte odjišťovací tlačítko a uložte jej na bezpečném místě. Zabráníte tak nepovolenému použití.
- Nepokoušejte se spínací páčku aktivovat silou bez stisknutí odjišťovacího tlačítka. Mohlo by dojít ke zlomení spínače.

Jako prevence náhodného stisknutí spínací páčky je k dispozici odjišťovací tlačítko. Chcete-li nástroj uvést do chodu, přesuňte blokovací páčku doleva, zamáčkněte odjišťovací tlačítko a poté stiskněte spínací páčku. Chcete-li nástroj vypnout, uvolněte páčku.

Spínač režimu stolní pily

⚠POZOR:

- Před zahájením provozu se vypnutím a zapnutím přesvědčte, zda je nástroj funkční.

Nástroj se spouští stisknutím tlačítka ZAP (I). Nástroj se zastavuje stisknutím tlačítka VYP (O).

Nastavení hloubky řezu

Fig.15

Hloubku řezu lze nastavit otáčením šroubu pro nastavení hloubky řezu. Při otáčení šroubu pro nastavení hloubky řezu ve směru hodinových ručiček se kotouč zvedá a při otáčení proti směru hodinových ručiček kotouč klesá.

⚠VAROVÁNÍ:

- Při řezání tenkých materiálů používejte malou hloubku, abyste dosáhli čistšího řezu.

⚠POZOR:

- Zarážkový čep nelze otočit, je-li hlava nástroje v poloze úplně dole. V této situaci otočte knoflík mírně proti směru hodinových ručiček. Nyní lze zarážkový čep uvolnit.

Fig.16

MONTÁŽ

⚠POZOR:

- Než začnete na nástroji provádět jakékoliv práce, vždy se předtím přesvědčte, že je vypnutý a vytážený ze zásuvky.

Uložení nástrčného klíče

Fig.17

Nástrčný klíč uložte jak je ilustrováno na obrázku. Chcete-li nástrčný klíč používat, vytáhněte jej z držáku klíče. Po použití nástrčný klíč vraťte zpět do držáku.

Dvoupolohové nastavení výšky stolu

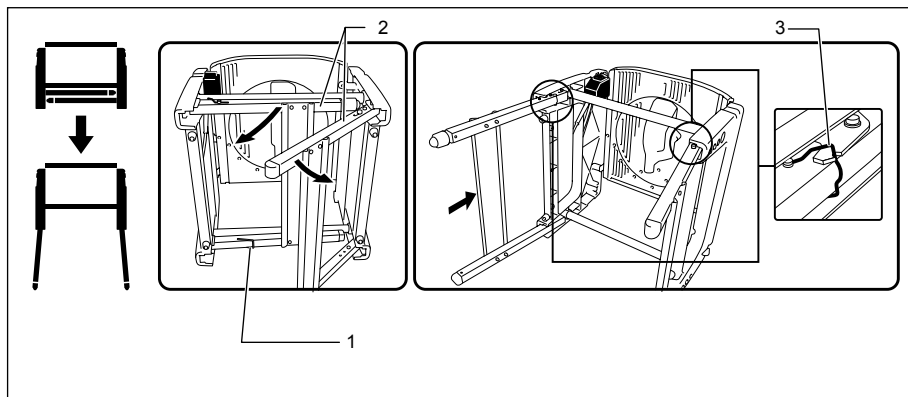
Výšku stolu lze nastavit dvěma způsoby, buď jako

vysoký nebo nízký stůl.

⚠VAROVÁNÍ:

- Před překlopením nástroje směrem zpět jej vždy nastavte do režimu pokosové pily a hlavu nástroje zajistěte v nejnižší poloze.

1. Nastavení vysokého stolu



1. Hák
2. Patky
3. Háčky zarážky

006043

Chcete-li na nástroji nastavit vysoký stůl, postupujte takto.

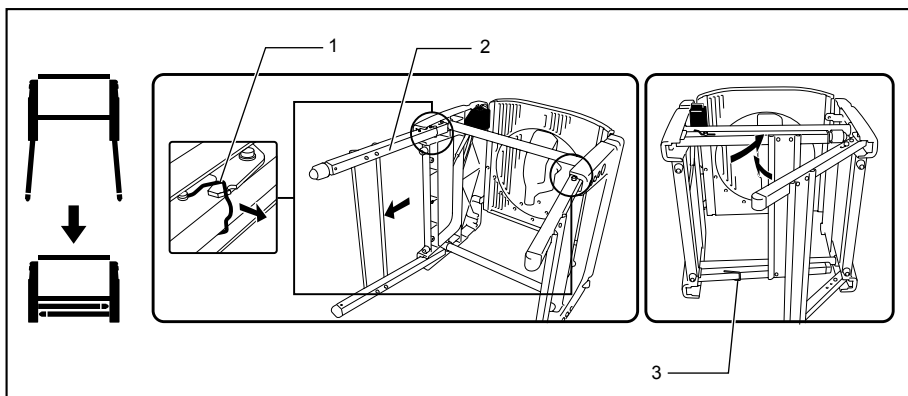
- (1) Uchopte nástroj oběma rukama a sklopte jej opatrně směrem DOZADU.
- (2) Odpojte patku otočením háčku ve směru šipky podle obrázku. Otevřete patky stolu na jedné straně a posuňte spodní výstuhu patek dopředu tak, aby se sama zajistila. Stejný postup proveďte

u patek na opačné straně. Přesvědčte se, zda jsou patky na obou stranách úplně zajištěny.

⚠VAROVÁNÍ:

- Ujistěte se, že jsou háčky zarážky dokonale umístěny v drážce svorky.
- (3) Umístěte nástroj do vzpřímené polohy.

2. Nastavení nízkého stolu



1. Háčky zarážky
2. Patky
3. Hák

006044

Patky lze složit jak je ilustrováno na obázku. Při sklápění nástroje postupujte následovně.

- (1) Uchopte nástroj oběma rukama a sklopte jej opatrně směrem DOZADU.
- (2) Nejdříve potáhněte zárazku na spoji levé patky směrem k sobě a odblokujte ji.
- (3) Poté proveďte stejný postup pro patky na opačné straně.
- (4) Tyto patky spojte háčkem.
- (5) Umístěte nástroj do vzpřímené polohy.

Instalace a demontáž pilového kotouče

⚠POZOR:

- Před instalací a demontáží pilového kotouče se vždy přesvědčte, zda je nástroj vypnutý a odpojený od elektrické sítě.
- Při instalaci a demontáži pilového kotouče používejte pouze nástrčný klíč Makita. V opačném případě může dojít k přetažení nebo nedostatečnému utažení šroubu s šestihlannou hlavou. V důsledku toho by mohlo dojít ke zranění.

Přesuňte držadlo do polohy úplně nahoře.

Zablokujte vřeteno stisknutím zámku hřídele. Pomocí nástrčného klíče povolte ve směru hodinových ručiček šroub s šestihlannou hlavou.

Fig.18

Stiskněte páčku nacházející se v blízkosti držadla doleva a současně zvedejte pomocí páky kryt kotouče A. Při zvednutém krytu kotouče A demontujte šroub s šestihlannou hlavou, vnější přírubu a kotouč.

Fig.19

Při montáži kotouče jej opatrně nasuňte na vřeteno a dbejte, aby směr šípky na povrchu kotouče odpovídal směru šípky na krytu kotouče. Nainstalujte vnější přírubu a šroub s šestihlannou hlavou. Stiskněte a přidržte zámek hřídele a poté pomocí nástrčného klíče dotáhněte proti směru hodinových ručiček šroub s šestihlannou hlavou (levotočivý).

Fig.20

POZNÁMKA:

- Při instalaci pilového kotouče jej nejdříve nasuňte mezi kryt kotouče B a poté jej zvedněte tak, aby se kotouč nakonec dostal do krytu kotouče B.

Pro všechny země mimo Evropu

Fig.22

⚠POZOR:

- Na vřeteno je u výrobce instalován stříbrný kroužek o vnějším průměru 25,4 mm. Jako standardní vybavení je dodáván černý kroužek o vnějším průměru 25 mm. Před umístěním kotouče na vřeteno se vždy přesvědčte, zda je na vřeteno umístěn správný kroužek odpovídající otvoru v kotouči, který se chystáte instalovat.

Pro země Evropy

⚠POZOR:

- Mezi vnitřní a vnější přírubu je u výrobce instalován kroužek o vnějším průměru 30 mm.

Vraťte dolní kryt kotouče A do původní polohy. Spustěte držadlo dolů a přesvědčte se, zda se správně pohybují dolní kryty kotouče. Před fezáním se ujistěte, že zámek hřídele uvolnil vřeteno.

Seřízení rozvíracího klínu

Fig.23

Je-li rozvírací klín přesunut úplně směrem ke kotouči, musí být mezi rozvíracím klínem a zuby kotouče vzdálenost přibližně 5 - 6 mm. Proveďte odpovídající seřízení rozvíracího klínu. Nejdříve povolte rukou upínací matici proti směru hodinových ručiček. Poté otáčením pomocí nástrčného klíče proti směru hodinových ručiček povolte šroub s šestihlannou hlavou a změřte vzdálenost. Po seřízení pevně dotáhněte šroub s šestihlannou hlavou a následně upínací matici ve směru hodinových ručiček. Před zahájením práce se vždy přesvědčte, zda je rozvírací klín zajištěn a zda hladce funguje horní kryt kotouče.

Fig.24

Rozvírací klín byl nainstalován u výrobce před expedicí, a proto jsou kotouč a rozvírací klín po jednoduchém nastavení v přímce. Postup nastavení je popsán v odstavci „Změna polohy rozvíracího klínu“.

Fig.25

⚠POZOR:

- Pokud není řádně vyrovnán kotouč a rozvírací klín, může během provozu dojít k nebezpečnému svírání. Dbejte, aby byl rozvírací klín umístěn při pohledu shora mezi oběma vnějšími konci zubů kotouče. Budete-li nástroj používat s nesprávně seřízeným rozvíracím klínem, můžete utrpět vážné zranění. Dojde-li z libovolného důvodu k poruše vyrovnání, vždy svěťte opravu autorizovanému servisnímu středisku společnosti Makita.
- Při nastavování vzdálenosti rozvíracího klínu od zubů kotouče vždy povolte šroub s šestihlannou hlavou po uvolnění upínací matice.

Instalace a seřízení podélného pravítka

Fig.26

1. Podélné pravítko nainstalujte na stůl tak, aby se držák podélného pravítka zajistil s vodící kolejnicí. Dotáhněte upínací šroub (B) podélného pravítka pevně ve směru hodinových ručiček.
2. Povolte upínací šroub (A).
3. Posuňte podélné pravítko a zajistěte jej tak, aby jeho konec vzdálenější od vás byl vyrovnán s bodem, ve kterém začíná přední okraj pilového kotouče vyčnívat z horního povrchu dílu. Účelem tohoto seřízení je omezit riziko zpětného rázu

směrem k pracovníkovi v případě, že je díl zachycen mezi pilovým kotoučem a podélným pravítkem a následně vyhozen ven směrem k pracovníkovi. Ryska (A) se liší podle tloušťky díly nebo výšky stolu. Upravte polohu podélného pravítka podle tloušťky zpracovávaného dílu.

Po seřízení podélného pravítka pevně dotáhněte upínací šroub (A).

Fig.27

POZNÁMKA:

- K dispozici jsou čtyři způsoby umístění podélného pravítka, jak je ilustrováno na obrázku. Podélné pravítko má na bocích dvě štěrbiny, jednu se zvýšeným okrajem a jednu bez tohoto okraje. Povrch podélného pravítka s tímto okrajem směřujícím k dílu používejte pouze při řezání tenkých dílů.

Fig.28

POZNÁMKA:

- Chcete-li změnit způsob umístění podélného pravítka, demontujte jej z držáku povolením upínacího šroubu (A) a změňte orientaci pravítka vzhledem k držáku tak, aby bylo pravítko umístěno podle prováděné práce jak je ilustrováno na obrázku.

Nasuňte čtvercovou matici na držák podélného pravítka do zadního konce štěrbiny pravítka podle ilustrace.

Chcete-li přejít ze situace A nebo B do polohy C nebo D, demontujte z držáku podélného pravítka čtvercovou matici a upínací šroub (A) a poté umístěte upínací šroub (A) a čtvercovou matici na opačnou stranu držáku podélného pravítka vzhledem k původní poloze. Po vložení čtvercové matice do štěrbiny v podélném pravítku pevně dotáhněte upínací šroub (A).

Nasuňte čtvercovou matici na držák podélného pravítka do zadního konce štěrbiny pravítka podle ilustrace.

Fig.29

Podélné pravítko je seřízeno u výrobce tak, aby bylo rovnoběžné s povrchem pilového kotouče. Dbejte na dodržení této rovnoběžnosti. Pokud se chcete přesvědčit, že je podélné pravítko rovnoběžné s kotoučem, nastavte výšku kotouče šroubem pro nastavení hloubky řezu do polohy, ve které kotouč začíná vyčnívat z horního povrchu stolu. Označte jeden zub kotouče pastelkou. Změřte vzdálenost (A) a (B) mezi podélným pravítkem a kotoučem. Obě měření proveďte na zubu označeném pastelkou. Tyto dvě změřené vzdálenosti by měl být stejné. Není-li podélné pravítko rovnoběžné s kotoučem, postupujte následovně:

Fig.30

- (1) Otáčejte stavěcím šroubem proti směru hodinových ručiček.

Fig.31

Fig.32

- (2) Posuňte mírně přední hranu podélného pravítka doprava nebo doleva, dokud nebude pravítko rovnoběžné s kotoučem.
- (3) Pevně utáhněte stavěcí šroub na podélném pravítku.

△POZOR:

- Seřídte podélné pravítko tak, aby bylo rovnoběžné s kotoučem. V opačném případě může dojít k nebezpečnému zpětnému rázu.
- Nezapomeňte nastavit podélné pravítko tak, aby se nedotýkalo horního krytu kotouče nebo pilového kotouče.
- Nepřenášejte nástroj držením podélného pravítka.
- Zvednutí nainstalovaného podélného pravítka nebo vyvinutí síly na pravítko směrem doprava a doleva při uchopení horního okraje může vést k poškození pravítka a narušení jeho funkce.

Instalace a seřízení měřidla pokosu

Fig.33

Měřidlo pokosu se instaluje zasunutím jeho hřídele zepředu do jedné ze dvou drážek ve stolu. Na měřidlo pokosu lze podle typu prováděné práce nainstalovat vodičko měřidla pokosu, které se také používá jako podélné pravítko.

Vak na prach

Fig.34

Vak na prach usnadňuje shromažďování prachu a zvyšuje čistotu při provádění práce. Vak na prach se umísťuje na prachovou hubici.

Je-li vak na prach přibližně z poloviny plný, odstraňte jej z nástroje a vysuňte ven upevňovací prvek. Vysypte vak. Současně na vak jemně klepejte, aby došlo k odstranění materiálu přilnulého na jeho bocích, který by mohl narušovat další provoz odsávání.

Fig.35

Pokud k pile připojíte odsavač prachu, lze provádět účinnější a čistší práci.

Fig.36

Koleno

Fig.37

△POZOR:

- Výstupní otvor kolena nasměrujte tak, aby vyfukované piliny a třísky nevyletovaly směrem k nástroji a osobám v místě provádění práce.

Při změně směru výstupu prachu nainstalujte koleno.

Zajištění dílu

⚠VAROVÁNÍ:

- Řádné a pevné uchycení dílu svěrákem je vždy nanejvýš důležité. V opačném případě může dojít k poškození nástroje a/nebo zničení zpracovávaného dílu. MOHLO BY TAKÉ DOJÍT KE ZRANĚNÍ. Po dokončení řezání NEZVEDEJTE kotouč, dokud se úplně nezastaví.

Svislý svěrák

Fig.38

Svislý svěrák lze nainstalovat ve dvou polohách, a to buď nalevo nebo napravo od vodicího pravítka. Vložte tyč svěráku do otvoru ve vodicím pravítku a dotažením upínacího šroubu tyč svěráku zajistíte.

Umístíte rameno svěráku podle tloušťky a tvaru dílu a zajistíte jej dotažením upínacího šroubu. Pokud se šroub určený k uchycení ramena svěráku dotýká vodicího pravítka, nainstalujte upínací šroub na opačné straně ramena svěráku. Přesvědčte se, že se při úplném spuštění držadla nedotýká svěráku žádný díl nástroje. Pokud se dílu dotýká jakýkoliv díl, upravte polohu svěráku.

Přítlačte díl k vodicímu pravítku a otočnému stolu. Umístěte díl do požadované polohy řezání a zajistěte jej pevně dotažením knoflíku svěráku.

⚠POZOR:

- Díl je nutno pevně uchytit na otočném stole a vodicím pravítku.

Nastavení nástroje do režimu stolní pily

⚠POZOR:

- Před použitím nástroje v režimu stolní pily se ujistěte, že byl otočný stůl zajištěn na úhlu pokosu 0° pomocí upínacího šroubu na vodicím pravítku.
- Před použitím nástroje v režimu stolní pily se ujistěte, že byla hlava nástroje zajištěna páčkou.
- Před použitím nástroje v režimu stolní pily se ujistěte, že byl rozvírací klín řádně zajištěn na svém místě.
- Před použitím v režimu stolní pily demontujte dolní kryt kotouče C.
- V režimu stolní pily uvolněte dolní koncovou zarážku.

Nástroj je od výrobce dodáván nastavený do režimu pokosové pily. Před použitím v režimu stolní pily změňte nastavení a použijte postup uvedený níže.

1. Zajištění otočného stolu

Fig.39

Chcete-li zajistit otočný stůl, dotáhněte pevně upínací šroub na vodicím pravítku na úhlu pokosu 0°.

2. Zajištění hlavy nástroje

Fig.40

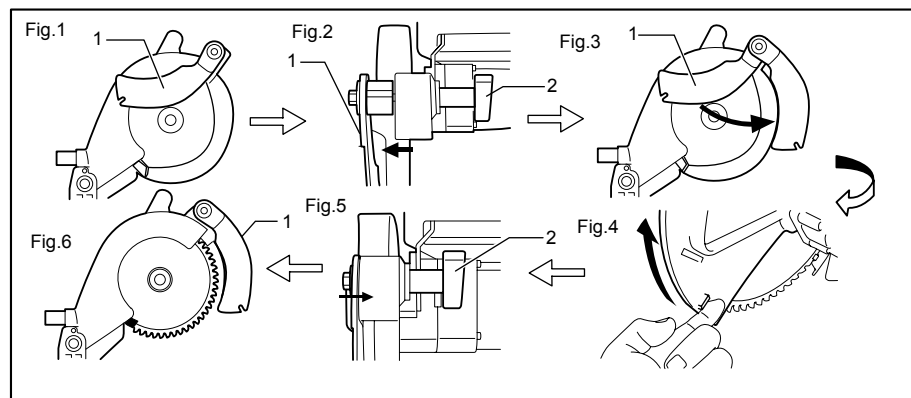
Uchytte hlavu nástroje utažením páčky ve směru šipky jak je ilustrováno na obrázku.

3. Uvolnění dolní koncové zarážky

Fig.41

Přesvědčte se, zda se konec dolní koncové zarážky nachází v poloze A podle obrázku. Pokud se dolní koncová zarážka nachází v poloze B, otočte konec dolní koncové zarážky proti směru hodinových ručiček do polohy A.

4. Přemístění rozvíracího klínu



1. Rozvírací klín
2. Upínací matice

006068

Polohu (viz Obr. 1) je třeba změnit následujícím způsobem.

- (1) Povolte upínací matici (viz Obr. 2).
- (2) Zatáhněte a otočte rozvírací klín do polohy

pod úhlem 90° ve směru šipky (viz Obr. 3). Jemně jej stlačte, aby se zajistil v této poloze.

- (3) Stiskněte páčku nacházející se v blízkosti držadla doleva a rukou zvedněte za oko úplně dolní kryt kotouče A. Uvolněte páčku v blízkosti držadla (viz Obr. 4).
- (4) Zatlačte rozvírací klín ve směru šipky (viz Obr. 5) tak, aby byl vyrovnán s pilovým kotoučem.
- (5) Po přesunutí rozvíracího klínu ve směru šipky podle obrázku uvolněte dolní kryt kotouče A.
- (6) Po vyrovnání rozvíracího klínu utáhněte pevně upínací matici (viz Obr. 6).

5. Demontáž dolního krytu kotouče C

Fig.42

Povolním upínacího šroubu demontujte ze stolu dolní kryt kotouče C.

6. Zablkování hlavy nástroje v poloze úplně dole

Fig.43

Fig.44

Po nastavení rozvíracího klínu do polohy pro režim stolní pily potáhněte zarážku ve směru šipky A a otočte ji o 90° ve směru šipky B. Poté snížením držadla uzamkněte hlavu nástroje.

⚠POZOR:

- Není-li možné zablkovat hlavu nástroje v poloze úplně dole, otočte regulační knoflík hloubky o několik otáček ve směru hodinových ručiček.
- Před překlopením nástroje se vždy ujistěte, že zarážkový čep bezpečně uchytil hlavu nástroje v nejnižší poloze.

7. Převrácení nástroje

⚠VAROVÁNÍ:

- Před převrácením nástroje musí být nástroj vypnut a odpojen od zdroje napájení.
- Při stisknutí páky dávejte pozor, abyste neměli druhou ruku a prsty v místě stolu a páky.

Fig.45

Uchopte jednou rukou střední část hrany stolu a druhou rukou stlačte dolů páku. Držte pevně stůl a opatrně jej otočte. Stůl držte, dokud se nezajistí na svém místě.

8. Instalace horního krytu kotouče

Fig.46

Stiskněte tlačítko horního krytu kotouče na jeho boční povrch, při stisknutém tlačítku jej umístěte na zářez rozvíracího klínu a poté tlačítko uvolněte. Po uvolnění tlačítka se pokusem o vytažení přesvědčte, zda je horní kryt kotouče zajištěn.

⚠POZOR:

- Po instalaci horního krytu kotouče se přesvědčte, zda řádně pracuje.

Nastavení nástroje v režimu pokosové pily

⚠VAROVÁNÍ:

- Před použitím nástroje v režimu pokosové pily nezapomeňte nainstalovat dolní kryt kotouče C.

Chcete-li přejít z režimu stolní pily do režimu pokosové pily obraťte postup uvedený v odstavci „Nastavení nástroje do režimu stolní pily“.

1. Demontáž horního krytu kotouče

Stiskněte tlačítko horního krytu kotouče na jeho boční povrch a poté při stisknutém tlačítku odstraňte horní kryt kotouče směrem nahoru.

2. Instalace dolního krytu kotouče C

Umístěte dolní kryt kotouče C na stůl tak, aby zapadl do drážky ve stolu a dotáhněte pevně upínací šroub.

3. Převrácení nástroje

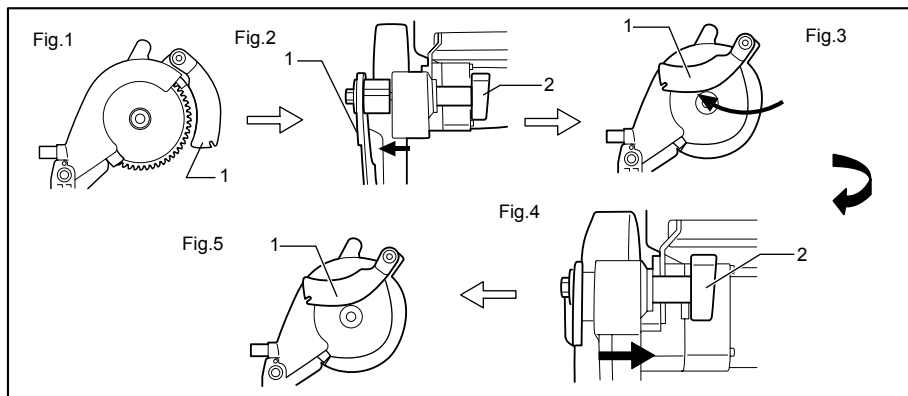
Informace naleznete v odstavci „Nastavení nástroje do režimu stolní pily“.

4. Uvolnění hlavy nástroje z polohy úplně dole

Fig.47

Uchopte držadlo, potáhněte zarážkový čep ve směru šipky A a při vytaženém zarážkovém čepu jej otočte o 90° ve směru šipky B. Poté pomalu zvedněte držadlo.

5. Změna polohy rozvíracího klínu



1. Rozvírací klín
2. Upínací matice

006075

Polohu rozvíracího klínu (viz Obr. 1) je třeba změnit následujícím způsobem.

- (1) Povolte upínací matici a rukou přidržte za oko dolní kryt kotouče A (viz Obr. 2).
- (2) Přidržte dolní kryt kotouče A, zatáhněte za rozvírací klín, aby se otočil, a přesuňte jej do polohy ve směru šipky (viz Obr. 3).
- (3) Přidržte rozvírací klín v této poloze, vraťte dolní kryt kotouče A do původní polohy a pevně dotáhněte upínací matici (viz Obr. 4, 5).

6. Instalace a demontáž pomocných vodítek R a L

Fig.48

⚠ POZOR:

- Při řezání dílu o tloušťce překračující 20 mm zajistěte, aby byla pomocí šroubu bezpečně nainstalována pomocná vodítka R a L. Demontáž pomocných vodítek R a L se doporučuje při řezání širokých a tenkých dílů. Při řezání dílu o tloušťce překračující 20 mm a šířce větší než 180 mm demontujte odšroubováním šroubu podle obrázku pomocná vodítka R a L. Při řezání dílu o tloušťce překračující 20 mm upevněte šroubem pomocná vodítka R a L. Vztah mezi rozměrem dílu a použitím či nepoužitím pomocných vodítek R a L naleznete v tabulce níže.

Fig.49

	Rozměry dílu (V x Š)	použití/nepoužití pomocných vodítek
1	68 mm x 155 mm	s pomocnými vodítky
2	20 mm x 210 mm	bez pomocných vodítek

006577

PRÁCE

⚠ POZOR:

- Před použitím nezapomeňte uvolnit držadlo ze spuštěné polohy vytažením zarážkového čepu a otočte jej na úhel 90°.
- Před aktivací spínače se přesvědčte, že se kotouč nedotýká zpracovávaného materiálu, apod.

ŘEZÁNÍ V REŽIMU POKOSOVÉ PILY

⚠ VAROVÁNÍ:

- Před použitím režimu pokosové pily nainstalujte dolní kryt kotouče C.

⚠ POZOR:

- Při řezání nevyvíjejte na držadlo příliš velkou sílu. Příliš velký tlak může vést k přetížení motoru a/nebo snížení účinnosti řezání. Držadlo tlačte dolů pouze takovou silou, jaká je nutná pro hladké řezání bez podstatného snížení otáček pilového kotouče.
- Při řezání jemně tlačte držadlo dolů. Budete-li držadlo tlačít dolů silou nebo vyvinete postranní sílu, kotouč začne vibrovat a zanechá na díle stopu. Současně dojde ke snížení přesnosti řezu.

1. Tlakové řezání

Fig.50

Upevněte díl proti vodicímu pravítku a otočnému stolu. Zapněte nástroj bez toho, aby byl kotouč ve styku s materiálem a před spuštěním dolů počkejte, dokud kotouč nedosáhne plné rychlosti. Poté pomalu spusťte držadlo do polohy úplně dole a proveďte řez. Po dokončení řezu nástroj vypněte a před přesunutím kotouče do polohy úplně nahoře **POČKEJTE, DOKUD SE PILOVÝ KOTOUČ ÚPLNĚ NEZASTAVÍ.**

zamezilo ztupení kotouče, pokud operátor omylem zařeže do tlačného bloku. (V tlačném bloku nikdy nepoužívejte hřebíky.)

Pomocné pravítko

Fig.53

Pomocné pravítko vyrobte z 9,5 mm a 19 mm kusů překližky.

Podélné rozřezávání

⚠POZOR:

- Při podélném rozřezávání odstraňte ze stolu měřidlo pokosu.
 - Při řezání dlouhých nebo rozměrných dílů vždy zajistěte za stolem odpovídající podepření. NEUMOŽNĚTE, aby se dlouhá deska pohybovala nebo posunovala na stole. V opačném případě dojde k ohnutí kotouče a zvýšení možnosti zpětného rázu a zranění. Podpěra by se měla nacházet ve stejné výšce jako stůl.
1. Hloubku řezu nastavte na mírně větší hodnotu, než je tloušťka řezaného dílu. Při provádění tohoto nastavení použijte informace uvedené v odstavci „Nastavení hloubky řezu“.
 2. Umístěte podélné pravítko na požadovanou šířku podélného řezu a dotažením upínacího šroubu (A) jej zajistěte na místě. Před zahájením podélného rozřezávání se ujistěte, že jsou dotaženy dva šrouby držáku podélného pravítka. V případě nedostatečného utážení šrouby dotáhněte.
 3. Spustte nástroj a opatrně přisunujte díl ke kotouči podél podélného pravítka.
 - (1) Je-li šířka řezu 150 mm nebo větší, opatrně řezaný díl přisunujte rukou. Druhou rukou podržujte díl v poloze na podélném pravítku.

Fig.54

- (2) Je-li šířka řezání v rozmezí od 65 do 150 mm, použijte k přisunu dílu tlačnou tyč.

Fig.55

- (3) Pokud je šířka řezání menší než 65 mm, tlačnou tyč nelze použít, protože by narazila na kryt kotouče. Použijte pomocné pravítko a tlačný blok. Připevněte pomocné pravítko k podélnému pravítku pomocí dvou svorek „C“.

Fig.56

Přisouvejte díl ručně, dokud se jeho konec nenachází přibližně 25 mm od předního okraje horního stolu. Pokračujte v přisouvání pomocí tlačného bloku na horní straně pomocného pravítka, dokud není řez kompletní.

Fig.57

Příčné řezání

⚠POZOR:

- Při příčném řezání je nutno ze stolu demontovat podélné pravítko.
- Při řezání dlouhých nebo rozměrných dílů vždy zajistěte na stranách stolu odpovídající podepření. Podpěra by se měla nacházet ve stejné výšce jako stůl.
- Vždy držte ruce mimo dráhu kotouče.

Měřidlo pokosu

Měřidlo pokosu se používá při čtyřech druzích řezání ilustrovaných na obrázku.

Fig.58

⚠POZOR:

- Pečlivě zajistěte knoflík na měřidle pokosu.
- Pevným uchopením se vyvarujte pomalého pohybu řezaného dílu a měřidla, zejména při úhlovém řezání.
- NIKDY nedržte díl za odřezávanou část.

Použití měřidla pokosu

Fig.59

Posuňte měřidlo pokosu do tlustých drážek ve stole. Uvolněte knoflík na měřidle a nastavte jej na požadovaný úhel (0° až 60°). Vyrovnejte materiál s pravítkem a přisunujte jej opatrně dopředu směrem ke kotouči.

Pomocná dřevěná deska (měřidlo pokosu)

Fig.60

Chcete-li zabránit viklání dlouhých desek, namontujte na měřidlo pokosu desku pomocného pravítka. Po vyvrtání otvorů proveďte upevnění pomocí šroubů a matic. Upevňovací prvky však nesmí vyčnívat z čelní desky.

Přenašení nástroje

Fig.61

Přesvědčte se, zda je nástroj odpojen od zdroje napájení. Má-li být nástroj používán v režimu pokosové pily, zajistěte kotouč na úhlu úkosu 0° a přesuňte otočný stůl na úhel pokosu 0°. Spustte držadlo úplně dolů a v této poloze jej zajistěte úplným stlačením zarážkového čepu.

Nástroj přenašejte za část ilustrovanou na obrázku.

Fig.62

⚠POZOR:

- Před přenašením nástroje vždy zajistěte všechny pohyblivé díly.
- Před přenašením nástroje jej vždy nastavte do režimu pokosové pily.
- Dbejte, aby byl na nástroji nainstalován dolní kryt kotouče C.

ÚDRŽBA

⚠ POZOR:

- Než začnete provádět kontrolu nebo údržbu nástroje, vždy se přesvědčte, že je vypnutý a vytažený ze zásuvky.

⚠ VAROVÁNÍ:

- K zajištění nejefektivnějšího a nejbezpečnějšího provozu dbejte, aby byl kotouč vždy ostrý a čistý.

Nastavení úhlu řezání

Nástroj byl pečlivě seřízen a nastaven u výrobce. Hrubé zacházení však může seřízení narušit. Není-li nástroj řádně seřízen, proveďte následující kroky:

1. Úhel pokosu

Fig.63

Stavěcí šrouby úhlu pokosu 0° se nacházejí ve čtyřech polohách.

Otáčením proti směru hodinových ručiček povolte na spodní straně stolu čtyři šrouby pro nastavení úhlu pokosu 0°.

Snižte úplně rukojeť a přesunutím a otočením zarážkového čepu na úhel 90° ve směru hodinových ručiček ji zablokujte v dolní poloze. Srovnejte bok kotouče s povrchem vodicího pravítka pomocí trojúhelníkového pravítka, příložného úhelníku, apod. Poté pevně dotáhněte na spodní straně čtyři stavěcí šrouby na pomocném ramenu. Přesvědčte se, zda ukazatel směřuje na 0° na stupnici pokosu. Pokud tomu tak není, upravte polohu ukazatele povolením šroubu uchycujícího ukazatel. Po seřízení pevně dotáhněte šroub.

Fig.64

2. Úhel úkosu

Fig.65

(1) Úhel úkosu 0°

Snižte úplně rukojeť a přesunutím a otočením zarážkového čepu na úhel 90° ve směru hodinových ručiček ji zablokujte v dolní poloze. Uvolněte páčku na zadní straně nástroje.

Ze spodní strany otočte stavěcí šroub úhlu úkosu 0° na pravé straně pomocného ramena o dvě nebo tři otáčky proti směru hodinových ručiček, aby se kotouč sklopil doprava.

Otáčením stavěcího šroubu úhlu úkosu 0° ve směru hodinových ručiček opatrně srovnejte bok kotouče s horním povrchem otočného stolu pomocí trojúhelníkového pravítka, příložného úhelníku, apod.

Fig.66

Přesvědčte se, že ukazatel na otočném stole ukazuje na 0° na stupnici úkosu na ramenu. Pokud ukazatel nesměřuje na 0°, povolte

šroub uchycující ukazatel a upravte ukazatel tak, aby byl zaměřen na 0°.

Fig.67

(2) Úhel úkosu 45°

Úhel úkosu 45° nastavte až po provedení seřízení úhlu úkosu 0°. Chcete-li seřídit úhel úkosu 45°, povolte páčku a sklopte kotouč úplně doleva. Přesvědčte se, že ukazatel na ramenu ukazuje na 45° na stupnici úkosu na ramenu. Pokud ukazatel neukazuje na 45°, otáčejte stavěcím šroubem úhlu úkosu 45° na spodní straně stolu na levé straně pomocného ramena, dokud ukazatel nesměřuje na 45°.

Výměna uhlíků

Fig.68

Uhlíky pravidelně vyjímajte a kontrolujte. Jsou-li opotřebené až po mezní značku, vyměňte je. Uhlíky musí být čisté a musí volně zapadat do svých držáků. Oba uhlíky je třeba vyměňovat současně. Používejte výhradně stejné uhlíky.

Pomocí šroubováku odšroubujte víčka uhlíků. Vyjměte opotřebené uhlíky, vložte nové a zašroubujte víčka nazpět.

Fig.69

Činnosti po ukončení práce

- Po použití ořetě hadrem nebo podobným materiálem třísky a piliny nahromaděné na nástroji. Zajistíte tak maximální životnost. Udržujte kryty kotouče v čistotě podle pokynů uvedených v odstavci „Kryt kotouče“ výše. Promažte kluzné díly strojním olejem, aby nekorodovaly.

Kvůli zachování BEZPEČNOSTI a SPOLEHLIVOSTI výrobku musí být opravy a veškerá další údržba či seřizování prováděny autorizovanými servisními středisky firmy Makita a s použitím náhradních dílů Makita.

PŘÍSLUŠENSTVÍ

⚠ POZOR:

- Pro váš nástroj Makita, popsany v tomto návodu, doporučujeme používat toto příslušenství a nástavce. Při použití jiného příslušenství či nástavců může hrozit nebezpečí zranění osob. Příslušenství a nástavce lze používat pouze pro jejich stanovené účely.

Potřebujete-li bližší informace ohledně tohoto příslušenství, obraťte se na vaše místní servisní středisko firmy Makita.

- Pilové kotouče s ocelovým a karbidovým ostřím
- Svislý svérák
- Nástrčný klíč 13-3
- Vak na prach
- Trojúhelníkové pravítko

- Protiprachový kryt (dolní kryt kotouče C)
- Tlačná tyč
- Sestava pravítka (Podélné pravítko)
- Měřidlo pokosu
- Upevňovací desky (3 kusy)
- Šrouby s šestihrannou hlavou (3 kusy)
- Koleno
- Sestava horního krytu (Horní kryt kotouče)

Makita Corporation Anjo, Aichi, Japan