

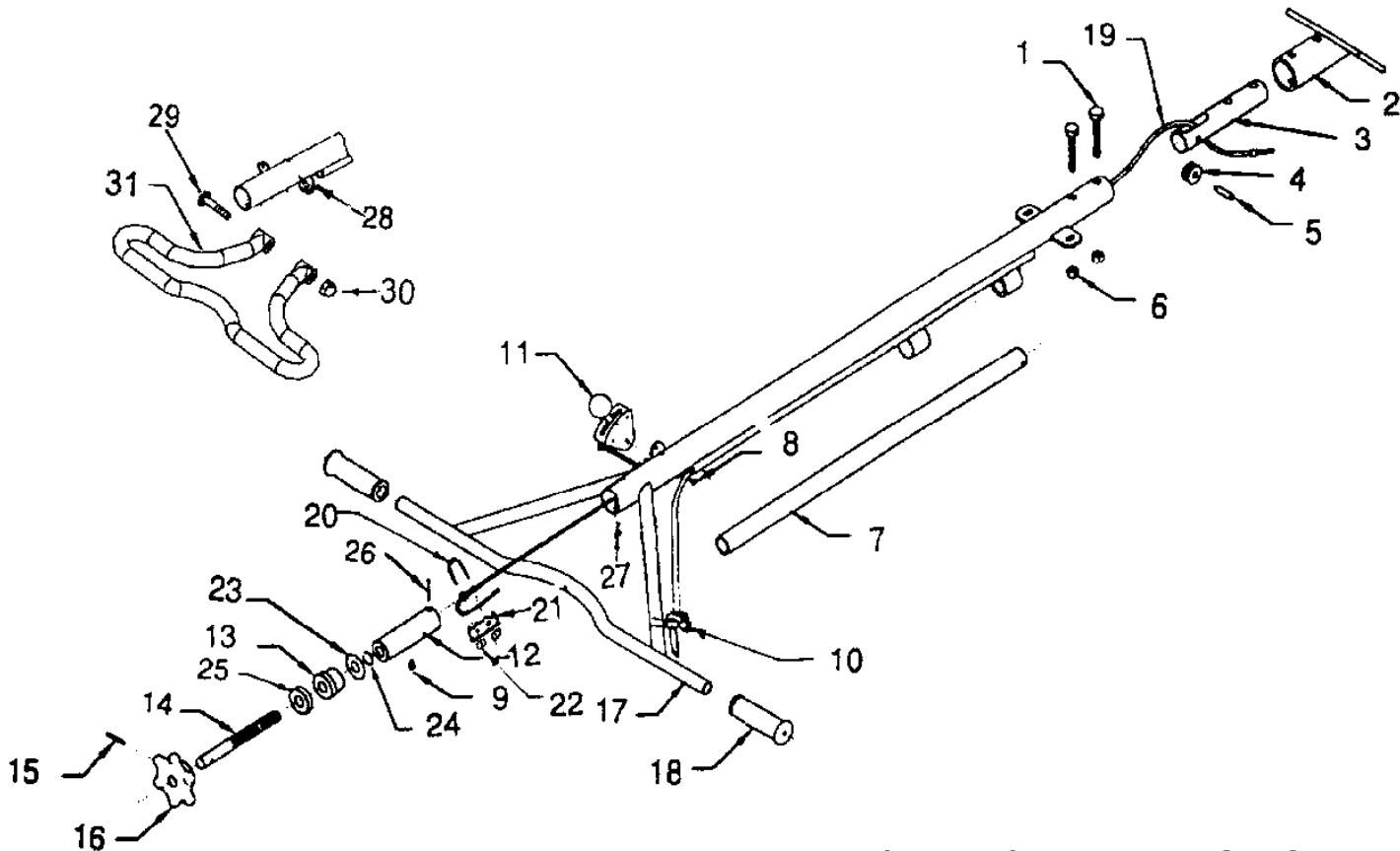


**MASALTA®**



# **PARTS MANUAL WALK-BEHIND POWER TROWEL MT36 MT42 MT46**

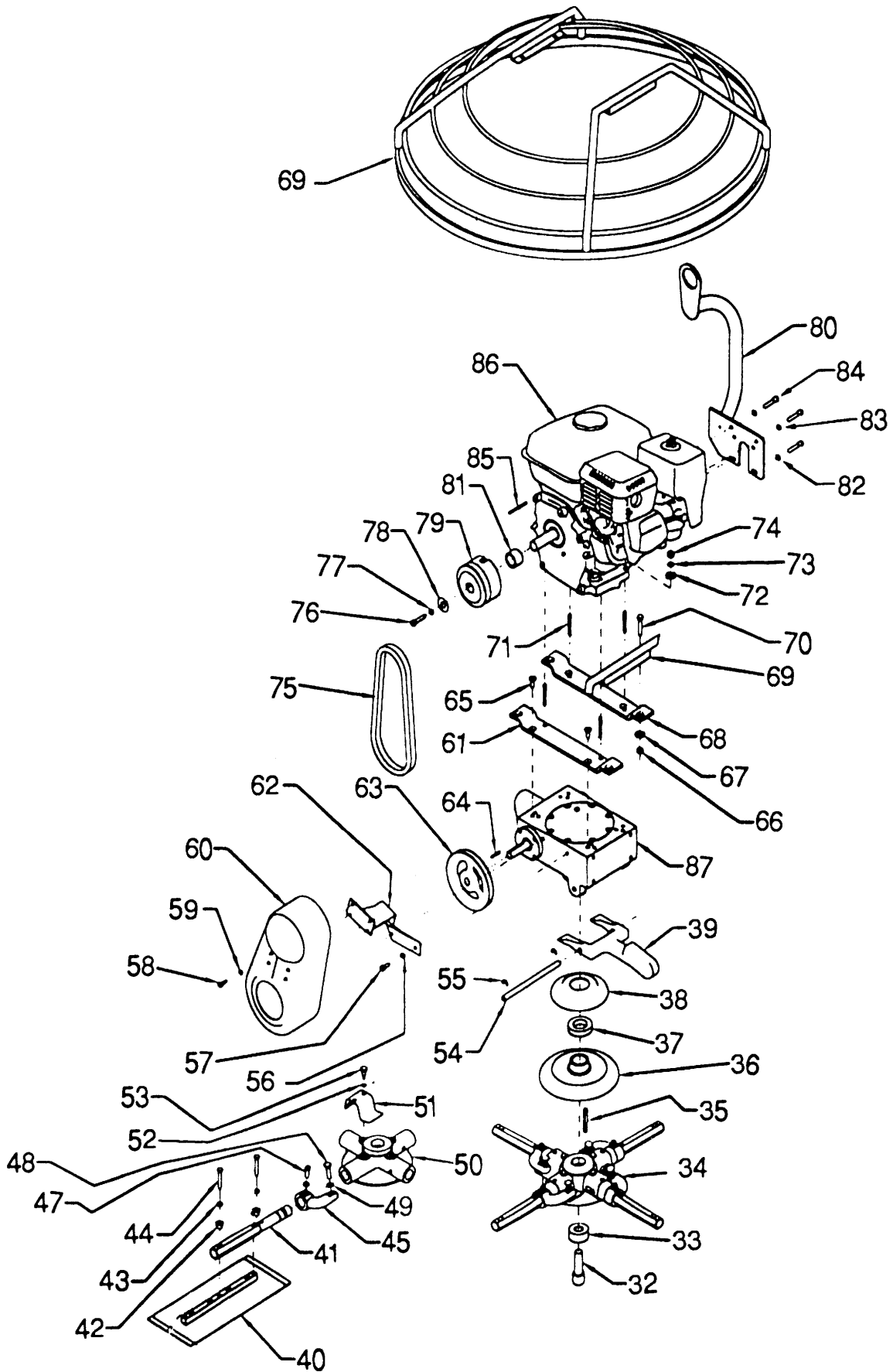




MT36 / MT42 / MT46 PARTS LIST 1

MT36 / MT42 / MT46 PARTS LIST 1

ITEM NO.	PART NO.	DESCRIPTION	QTY
1	M360100000	SCREW	2
2	M360100001	BRACKET	1
3	M360100002	BLOCK SUPPORT	1
4	M360100003	PULLEY, SUPPORT BLOCK	1
5	M360100004	PIN, SUPPORT BLOCK	1
6	M360100005	NUT	2
7	M360100006-1	LIFTING TUBE, MT36	1
	M360100006-2	LIFTING TUBE, MT42 & MT46	1
8	M360100007	SCREW	2
9	M360100008	SCREW	1
10	M360100009	THROTTLE CONTROL	1
11	M360100010	SAFETY STOP SWITCH ASSY.	1
12	M360100011	SHAFT, TROWEL CONTROL	1
13	M360100012	COLLAR	1
14	M360100013	BOLT	1
15	M360100014	PIN	1
16	M360100015	WHEEL, HAND HANDLE	1
17	M360100016-1	HANDLE, MT36	1
	M360100016-2	HANDLE, MT42 & MT46	1
18	M360100017	GRIP	2
19	M360100018	WIRE	1
20	M360100019	TIE WIRE	1
21	M360100020	CLIP	1
22	M360100021	NUT	2
23	M360100022	SPACER	1
24	M360100023	SPRING WASHER	1
25	M360100024	BERING	1
26	M360100025	PIN	1
27	M360100026	SCREW	1
28	M360100027-1	BRACKET, HANDLE ADJUSTABLE, MT36	1
	M360100027-2	BRACKET, HANDLE ADJUSTABLE, MT42 & MT46	1
29	M360100028	SCREW	1
30	M360100029	NUT	1
31	M360100030	HANDLE ADJUSTABLE	1



MT36 / MT42 / MT46 PARTS LIST 2

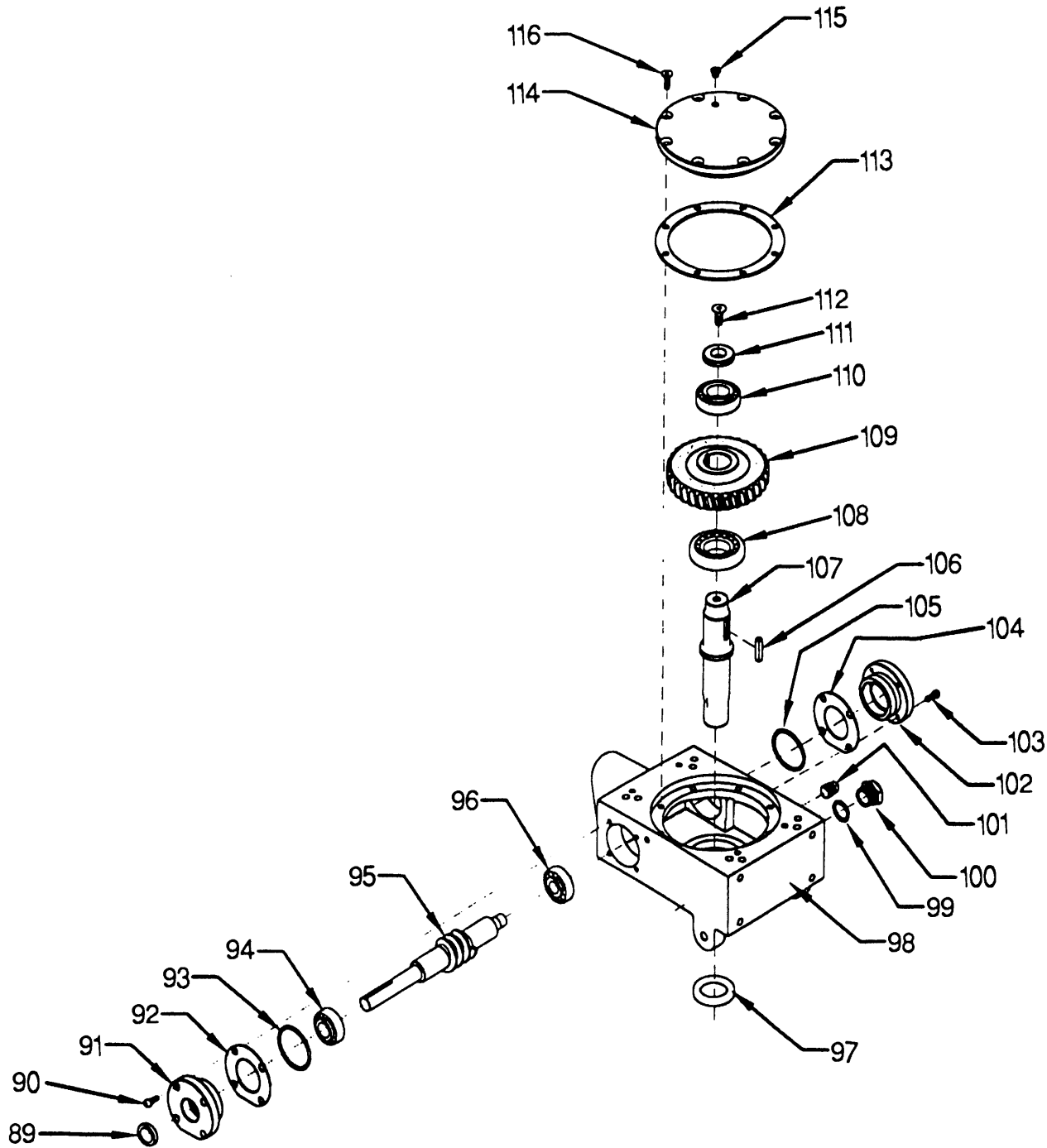
**MT36 / MT42 / MT46 PARTS LIST 2**

<b>ITEM NO.</b>	<b>PART NO.</b>	<b>DESCRIPTION</b>	<b>QTY</b>
32	M360200001	SCREW MIZ	1
33	M360200002	SPACER	1
34	M360200003	SPIDER PLATE ASSY., MT36	1
	M360200003-2	SPIDER PLATE ASSY., MT42	1
	M360200003-3	SPIDER PLATE ASSY., MT46	1
35	M360200004	PIN	1
36	M360200005	WEAR PLATE	1
37	M360200006	BEARING	1
38	M360200007	WEAR RING	1
39	M360200008	ARM, YOKE	1
40	M360200009-1	BLADE, MT36	4
	M360200009-2	BLADE, MT42	4
	M360200009-3	BLADE, MT46	4
41	M360200010-1	TROWEL ARM EXTENDED, MT36	4
	M360200010-2	TROWEL ARM EXTENDED, MT42 & MT46	4
42	M360200011	SPACER	8
43	M360200012	SPRING WASHER	8
44	M360200013	SCREW	8
45	M360200014	TROWEL ARM LEVER	4
47	M360200016	ROLL PIN	4
48	M360200017	RADIUS HEAD SCREW	4
49	M360200018	NUT	8
50	M360200019	SPIDER PLATE ONLY	1
51	M360200020	SPRING PLATE	4
52	M360200021	NUT	4
53	M360200022	SCREW	4
54	M360200023	PIN, YOKE	1
55	M360200024	WASHER	2
56	M360200025	SPACER	2
57	M360200026	SCREW M8	2
58	M360200027	SCREW M6	4
59	M360200028	SPACER	4
60	M360200029-1	BELT GUARD, MT36	1
	M360200029-2	BELT GUARD, MT42 & MT46	1
61	M360200030	FRONT ENGINE MOUNTING PLATE	1
62	M360200031	MOUNTING PLATE, BELT GUARD	1
63	M360200032	PULLEY	1
64	M360200033	KEY	1

(TO BE CONTINUED)

MT36 / MT42 / MT46 PARTS LIST 2

ITEM NO.	PART NO.	DESCRIPTION	QTY
65	M360200034	SCREW, FLAT HEAD	4
66	M360200035	NUT	4
67	M360200036	RUBBER WASHER	4
68	M360200037	REAR ENGINE MOUNTING PLATE	1
69	M360200038-1	GUARD RING ASSY., MT36	1
	M360200038-2	GUARD RING ASSY., MT42	1
	M360200038-3	GUARD RING ASSY., MT46	1
70	M360200039	SCREW	4
71	M360200040	SCREW	4
72	M360200041	SPACER	4
73	M360200042	SPRING WASHER	4
74	M360200043	NUT	4
75	M360200044-1	BELT, MT36	1
	M360200044-2	BELT, MT42 & MT46	
76	M360200045	SCREW	1
77	M360200046	SPRING WASHER	1
78	M360200047	SPACER	1
79	M360200048	CLUTCH ASSY.	1
80	M360200049-1	LIFTING HOOK, MT36 (OPTIONAL)	1
	M360200049-2	LIFTING HOOK, MT42 & MT46 (OPTIONAL)	1
81	M360200050	WASHER	1
82	M360200051	SPACER	4
83	M360200052	SPRING WASHER	4
84	M360200053	SCREW	4
85	M360200054	KEY	1
86	M360200055-1	CHINESE PETROL ENGINE 5.5HP, MT36	1
	M360200055-2	ROBIN PETROL ENGINE 5.5HP, MT36	1
	M360200055-3	HONDA PETROL ENGINE 5.5HP, MT36	1
	M360200056-1	CHINESE PETROL ENGINE 8HP, MT42	1
	M360200056-2	ROBIN PETROL ENGINE 9HP, MT42 & MT46	1
	M360200056-3	HONDA PETROL ENGINE 8HP, MT42	1
	M360200057-1	CHINESE PETROL ENGINE 9HP, MT46	1
	M360200057-2	HONDA PETROL ENGINE 9HP, MT46	1
87	M360200058	GEARBOX ASSY.	1



MT36 / MT42 / MT46 PARTS LIST 3

MT36 / MT42 / MT46 PARTS LIST 3

ITEM NO.	PART NO.	DESCRIPTION	QTY
89	M360300001	SEAL	1
90	M360300002	SCREW	4
91	M360300003	FLANGE, INPUT SHAFT	1
92	M360300004	PLATE, SEAL	1
93	M360300005	O-RING	1
94	M360300006	BEARING	1
95	M360300007	GEAR, WORM & SHAFT ASSY.	1
96	M360300008	BEARING	1
97	M360300009	SEAL, OIL	1
98	M360300010	CASE, GEAR	1
99	M360300011	SEAL	1
100	M360300012	SIGHT GLASS	1
101	M360300013	FITTING, PLUG	1
102	M360300014	FLANGE	1
103	M360300015	SCREW M6	4
104	M360300016	SEAL	1
105	M360300017	O-RING	1
106	M360300018	KEY	1
107	M360300019	SHAFT	1
108	M360300020	BEARING	1
109	M360300021	GEAR, WORM	1
110	M360300022	BEARING	1
111	M360300023	SPACER	1
112	M360300024	SCREW M10	1
113	M360300025	SEAL	1
114	M360300026	COVER, GEAR BOX	1
115	M360300027	SCREW	1
116	M360300028	SCREW M8	8





*Distributed By*



**MASALTA ENGINEERING CO., LTD**

Add: Weisi Road, Baohe Industrial Estate, Hefei, China  
Tel: 86-551-4846600, 4846601 Fax: 86-551-4846616  
E-mail: [sales@masalta.com.cn](mailto:sales@masalta.com.cn), [masalta@mail.hf.ah.cn](mailto:masalta@mail.hf.ah.cn),  
[Http://www.masalta.com.cn](http://www.masalta.com.cn)