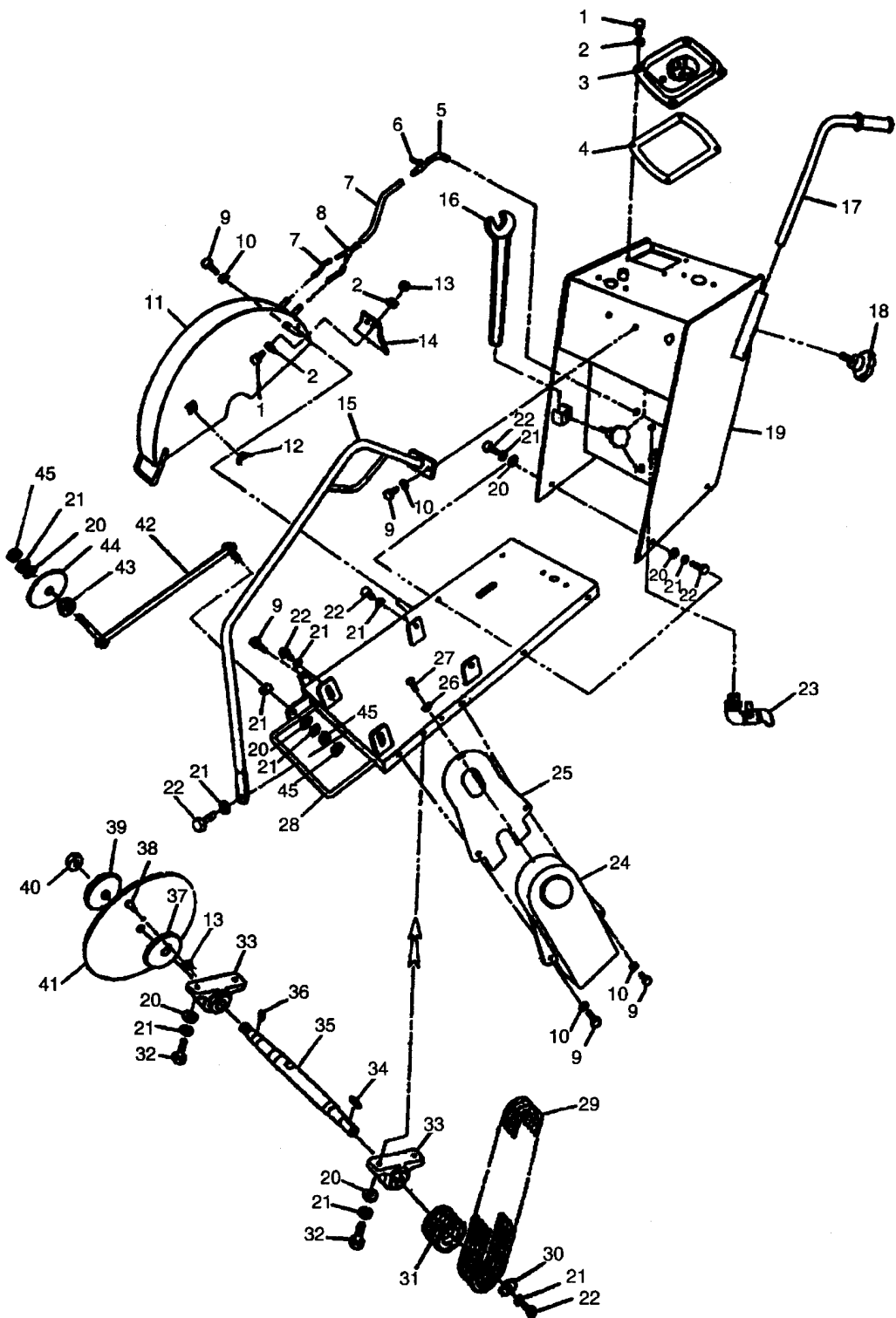




PARTS MANUAL FLOOR SAW MF20

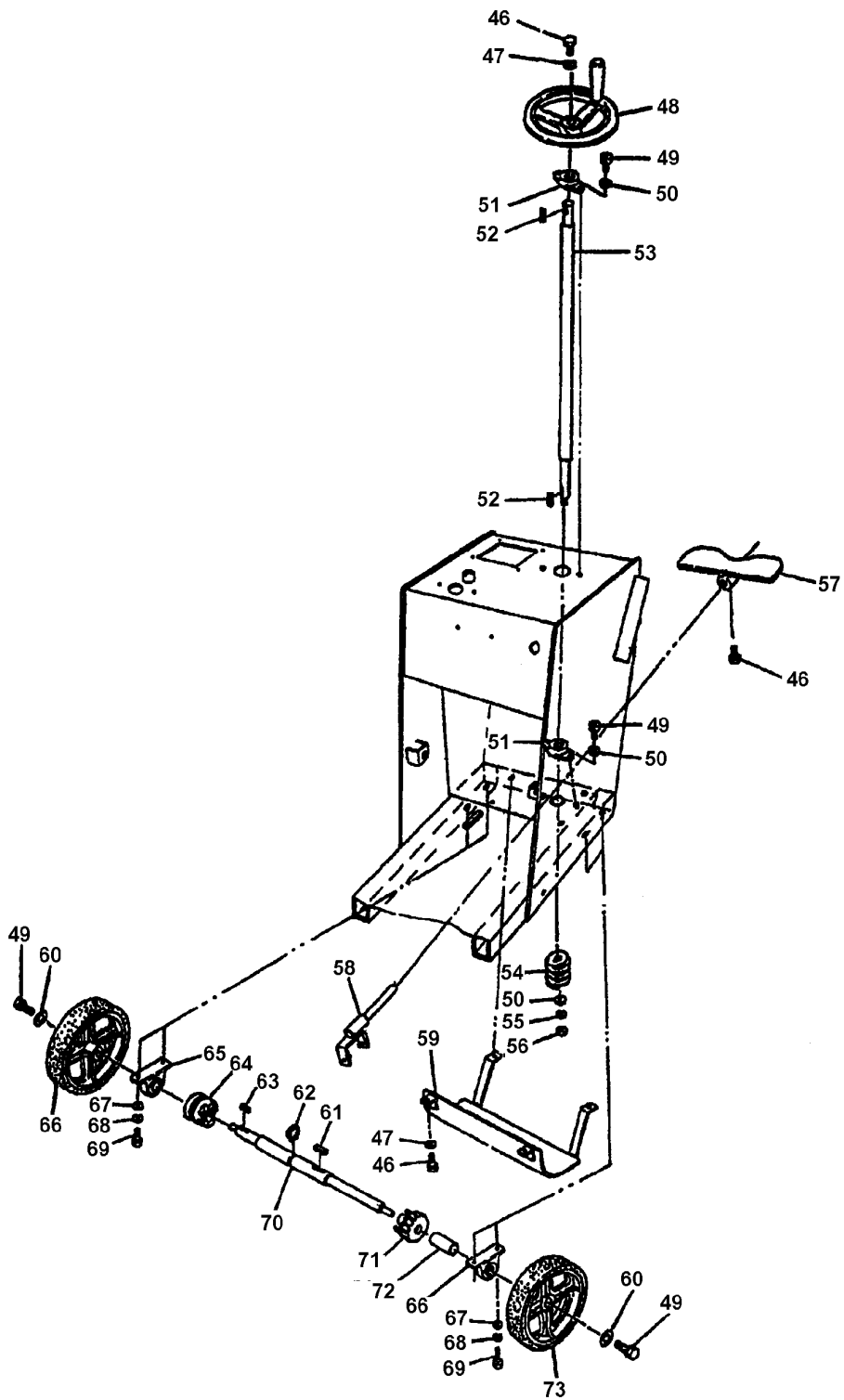




1. Major Components

1. Major Components

ITEM NO.	PART NO.	DESCRIPTION	QTY
1	2010101	BOLT M8 X 25	3
2	2010102	WASHER 8	5
3	2010103	INJECTION MOUTH	1
4	2010104	SEAL RING	1
5	2010201	ELBOW	1
6	2010202	COCK	1
7	2010203	PLASTIC PIPE	3
8	2010204	TEE	1
9	2010301	BOLT M10 X 25	6
10	2010302	WASHER 10	5
11	2010303	BLADE GUARD	1
12	2010304	NUT (BUTTERFLY) M10	1
13	2010305	NUT M8	2
14	2010306	PROTECTIVE MAT	1
15	2010401	LIFTING HOOK	1
16	2010401	WRENCH	2
17	2010601	HANDLE	2
18	2010602	KNOB	3
19	2010701	WATER TANK	1
20	2010702	WASHER 12	15
21	2010703	SPRING WASHER	13
22	2010704	BOLT M12 X 30	10
23	2010705	COCK	1
24	2010801	BELT GUARD	1
25	2010802	INNER GUARD	2
26	2010901	WASHER 6	1
27	2010902	SCREW M6 X 12	1
28	2010903	BASE ASSY.	1
29	2010904-1	BELT FOR DIESEL ENGINE	3
	2010904-2	BELT FOR PETROL ENGINE	3
30	2011001	WASHER	1
31	2011002	PULLEY, AXIS	1
32	2011003	BOLT M12 X 45	4
33	2011004	BEARING	2
34	2011005	KEY 8 X 35	4
35	2011006	PRINCIPAL AXIS	1
36	2011007	PIN 6 X 10	1
37	2011008	BLADE FLANGE (INNER)	2
38	2011009	PIN	1
39	2011011	BLADE FLANGE (OUTER)	2
40	2011012	NUT	1
41	2011013	BLADE	1
42	2011101	POINTER	1
43	2011102	NUT	1
44	2011103	POINTER WHEEL	1
45	2011104	NUT M12	3



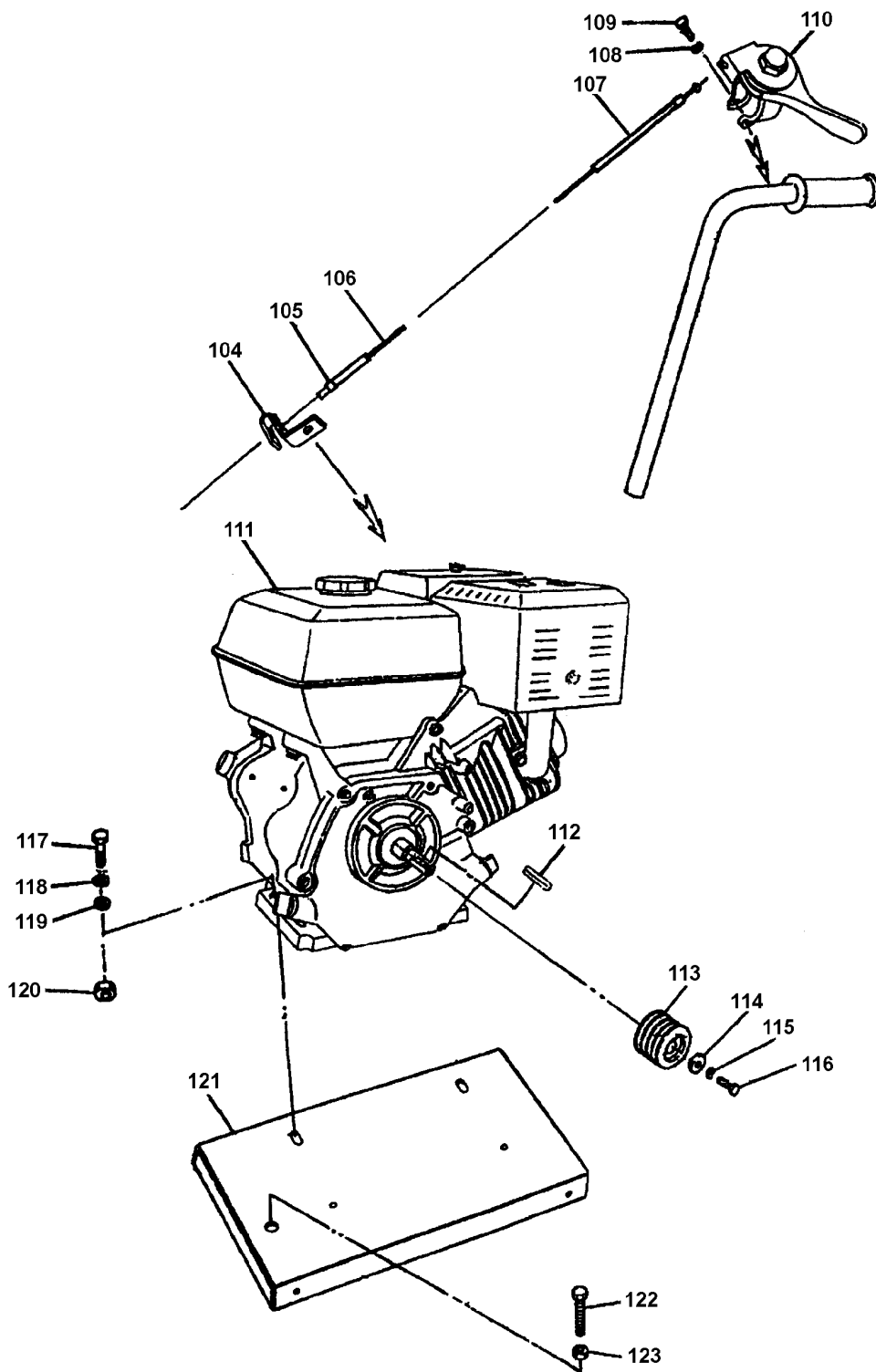
2. Transmission Assy.

2. Transmission Assy.

ITEM NO.	PART NO.	DESCRIPTION	QTY
46	2020101	BOLT M8 X 25	6
47	2020102	WASHER 8	5
48	2020103	WHEEL HANDLE	1
49	2020104	BOLT M10 X 30	6
50	2020105	WASHER 10	5
51	2020106	BEARING ASSY.	2
52	2020107	KEY 6 X 30	2
53	2020108	MAIN SHAFT	1
54	2020109	STEM	1
55	2020110	SPRING WASHER M10	1
56	2020111	NUT M10	1
57	2020201	PEDAL	1
58	2020202	LEVER	1
59	2020301	PROTECTIVE PLATE	1
60	2020401	WASHER M10	2
61	2020402	KEY 10 X 40	1
62	2020403	WASHER 35	1
63	2020404	KEY 8 X 40	1
64	2020405	SLEEVE FOR CLUTCH	1
65	2020406	BEARING ASSY.	2
66	2020407	LEFT WHEEL	1
67	2020408	WASHER 12	4
68	2020409	SPRING WASHER 12	4
69	2020410	BOLT M12 X 40	4
70	2020411	REAR AXIS	1
71	2020412	WORM	1
72	2020413	SLEEVE, WORM	1
73	2020414	RIGHT WHEEL	1

3. Depth Adjusting Assy.

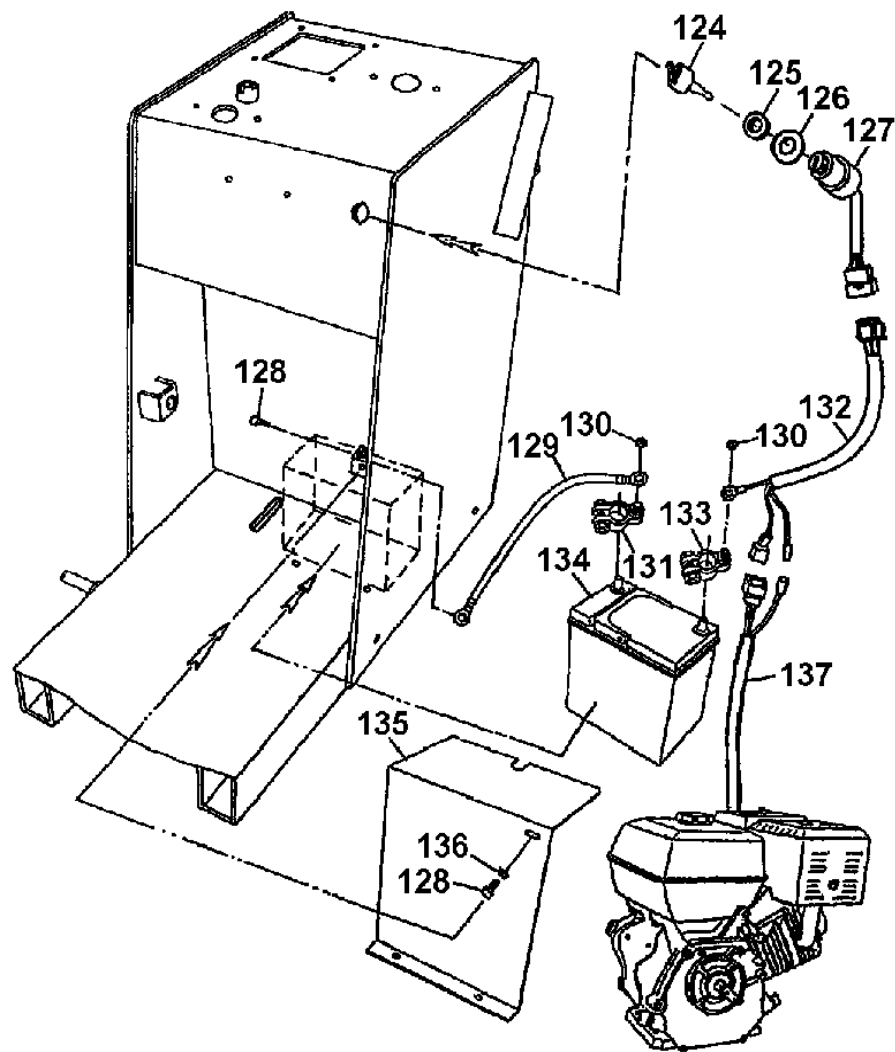
ITEM NO.	PART NO.	DESCRIPTION	QTY
74	2030101	PULLING NUT	3
75	2030102	SPRING PIN 4 X 16	1
76	2030103	SPRING	2
77	2030104	PIN	1
78	2030201	WHEEL HANDLE	1
79	2030202	BOLT M10 X 30	1
80	2030203	WASHER 10	1
81	2030204	BOLT M8 X 25	1
82	2030205	WASHER 8	1
83	2030206	BOLT M8 X 12	1
84	2030207	BEARING ASSY.	2
85	2030208	POSITION PLATE	2
86	2030209	SCREW STEM	1
87	2030210	CONNECTING STEM	1
88	2030211	NUT M10	4
89	2030301	RIVET	4
90	2030302	SCALE	3
91	2030303	POINTER	1
92	2030401	SPRING	1
93	2030402	CONNECTING PIPE	1
94	2030403	WASHER 12	1
95	2030404	BOLT M12 X 70	1
96	2030501	NUT M12	1
97	2030502	BOLT M12 X 10	2
98	2030601	BEARING ASSY.	2
99	2030602	SPRING WASHER 10	2
100	2030603	BOLT	1
101	2030604	WASHER	1
102	2030605	WHEEL	1
103	2030606	WHEEL RACK MODULE	1



4. Engine Assy.

4. Engine Assy.

ITEM NO.	PART NO.	DESCRIPTION	QTY
104	2040101	FIXING PLATE	1
105	2040102	CONNECTOR	1
106	2040103	CABLE	1
107	2040104	CABLE PIPE	1
108	2040105	SCREW M6 X 25	1
109	2040106	WASHER M6	1
110	2040107	THROTTLE CONTROL	1
111	2040201-1	DIESEL, KAMA 186	1
	2040201-2	PETROL, 188F	1
	2040201-3	PETROL, EH36D	1
	2040201-4	PETROL, HONDA GX390K1	1
112	2040202-1	KEY FOR DIESEL ENGINE	1
	2040202-2	KEY FOR PETROL ENGINE	1
113	2040203-1	PULLEY FOR DIESEL ENGINE	1
	2040203-2	PULLEY FOR CHINESE PETROL ENGINE	1
	2040203-3	PULLEY FOR ROBIN ENGINE	1
	2040203-2	PULLEY FOR HONDA ENGINE	1
114	2040204	WASHER M8	1
115	2040205	SPRING WASHER M8	1
116	2040206	BOLT M8 X 25	1
117	2040301	BOLT M10 X 40	4
118	2040302	SPRING WASHER M10	6
119	2040303	WASHER M10	6
120	2040304	NUT M10	2
121	2040305	BASE PLATE	1
122	2040306	BOLT M16 X 10	1
123	2040307	NUT M16	1



5. Electric Starter Assy. (Optional)

ITEM NO.	PART NO.	DESCRIPTION	QTY
124	2050101	KEY	2
125	2050102	TIGHTENING SPACER	1
126	2050103	WASHER	1
127	2050104	ELECTRIC CONNECTOR	1
128	2050201	BOLT M8 X 20	4
129	2050202	ELECTRIC CABLE	4
130	2050203	NUT M6	2
131	2050204	PLUG NEGATIVE	1
132	2050301	WIRE	1
133	2050302	PLUG POSITIVE	1
134	2050401	BATTERY	1
135	2050402	BATTERY GUARD	1
136	2050403	WASHER M8	4
137	2050501	WIRE	1



Distributed By



MASALTA ENGINEERING CO., LTD

Add: Weisi Road, Baohe Industrial Estate, Hefei, China
Tel: 86-551-4846600, 4846601 Fax: 86-551-4846616
E-mail: sales@masalta.com.cn, masalta@mail.hf.ah.cn,
[Http://www.masalta.com.cn](http://www.masalta.com.cn)