

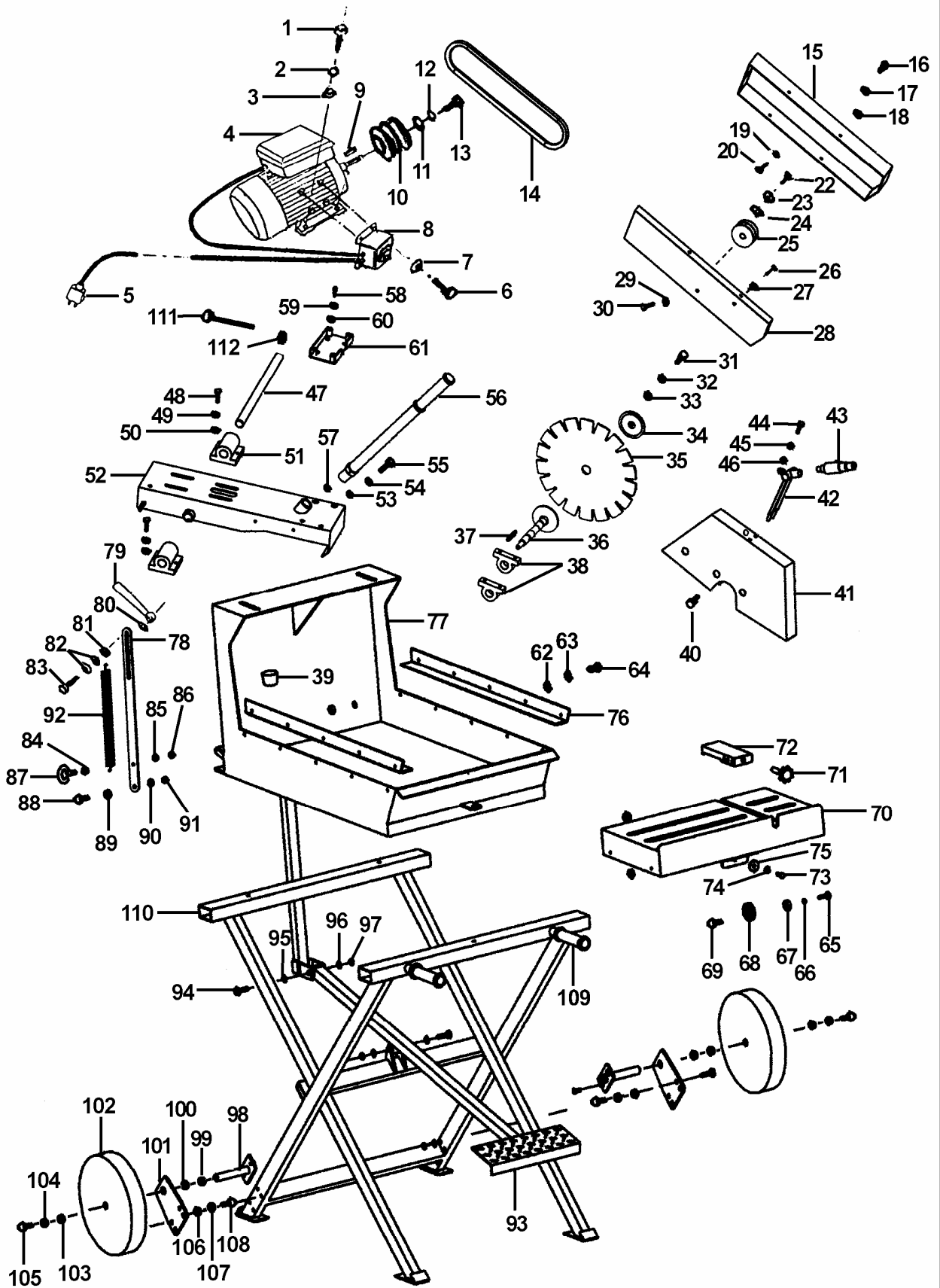


**MASALTA®**



# **PARTS MANUAL BRICK SAW MB14**





MB14 PARTS LIST

## MB14 PARTS LIST

ITEM NO.	PART NO.	DESCRIPTION	QTY
1	14140101	BOLT M8X25	2
2	14140102	SPRING WASHER 8	2
3	14140103	WASHER 8	2
4	14140104-1	ELECTRIC MOTOR	1
	14140104-2	CHINESE PETROL ENGINE	1
	14140104-3	ROBIN ENGINE	1
	14140104-4	HONDA ENGINE	1
5	14140105	PLUG (MB14E ONLY)	1
6	14140106	BOLT M8X16 (MB14E ONLY)	4
7	14140107	WASHER 8 (MB14E ONLY)	4
8	14140108	CONTROL PANEL (MB14E ONLY)	1
9	14140109-1	KEY FOR ELECTROL MOTOR	1
	14140109-2	KEY FOR PETROL ENGINE	1
10	14140110-1	PULLEY FOR ELECTRIC MOTOR	1
	14140110-2	PULLEY FOR CHINESE PETROL ENGINE	1
	14140110-3	PULLEY FOR ROBIN ENGINE	1
	14140110-4	PULLEY FOR HONDA ENGINE	1
11	14140111	WASHER 8	1
12	14140102	SPRING WASHER 8	1
13	14140101	BOLT M8X25	1
14	141400201-1	V-BELT FOR ELECTRIC MOTOR	1
	14140201-2	V-BELT FOR PETROL ENGINE	1
15	14140202	BELT COVER	1
16	14140101	BOLT M8X25	2
17	14140102	SPRING WASHER 8	2
18	14140103	WASHER 8	2
19	14140101	BOLT M8X25	2
20	14140102	SPRING WASHER 8	2
22	14140101	BOLT M8X25	1
23	14140102	SPRING WASHER 8	1
24	14140111	WASHER 8	1
25	14140203	PULLEY, AXIS	1
26	14140204	SCREW M6X20	2
27	14140205	WASHER 6	2
28	14140206	INNER BELT COVER	
29	14140101	BOLT M8X25	1
30	14140102	SPRING WASHER 8	1
31	14140301	BOLT M12X25	1
32	14140302	SPRING WASHER 12	1
33	14140303	WASHER 12	1

(TO BE CONTINUED)

## MB14 PARTS LIST

ITEM NO.	PART NO.	DESCRIPTION	QTY
34	14140304	BLADE FLANGE	1
35	14140305	BLADE	1
36	14140306	PRINCIPAL AXIS	1
37	14140307	KEY 5X30	1
38	14140308	BEARING BLADE SHAFT ASSY.	2
39	14140603	DRAIN PLUG	1
40	14140309	HEXAGONAL BOLT M6X16	3
41	14140310	BLADE GUARD	1
42	14140311	COCK	1
43	14140312	BALL VALVE	1
44	14140101	BOLT M8X25	1
45	14140102	SPRING WASHER 8	1
46	14140103	WASHER 8	1
47	14140401	PIVOT MOUNTING PLATE	1
48	14140402	HEXAGONAL BOLT M10X25	4
49	14140403	SPRING WASHER 10	4
50	14140404	WASHER 10	4
51	14140308	BEARING BLADE SHAFT ASSY.	2
52	14140405	PLATE	1
53	14140404	WASHER 10	4
54	14140403	SPRING WASHER 10	4
55	14140406	BOLT M10X50	4
56	14140407	HANDLE BAR WITH GRIPS	1
57	14140408	NUT M22	1
58	14140101	BOLT M8X25	4
59	14140102	SPRING WASHER 8	4
60	14140103	WASHER 8	4
61	14140409-1	MOUNTING PLATE FOR ELECTRIC MOTOR	1
	14140409-2	MOUNTING PLATE FOR PETROL EGNINE	1
62	14140501	NUT M6	10
63	14140205	WASHER 6	10
64	14140204	SCREW M6X20	10
65	14140502	SCREW CAP	1
66	14140503	WASHER 8	1
67	14140504	BEARING	1
68	14140505	KIT, CYL. ROLLER	1
69	14140506	NUT	1
70	14140507	CUTTING TABLE	1
71	14140508	UNIVERSAL WRENCH	1
72	14140509	RIP GUIDE ASSY.	1

(TO BE CONTINUED)

## MB14 PARTS LIST

ITEM NO.	PART NO.	DESCRIPTION	QTY
73	14140510	RUBBER	2
74	14140511	SPRING WASHER	2
75	14140512	WASHER	2
76	14140513	ANGLE BAR ON WATER TRAY	2
77	14140514	TRAY	1
78	14140601	PULL POLE	1
79	14140602	LOCK HANDLE	1
80	14140404	WASHER 10	1
81	14140604	NUT M10	1
82	14140404	WASHER 10	2
83	14140605	BOLT M10X25	1
84	14140606	NUT M8	1
85	14140103	WASHER 8	1
86	14140606	NUT M8	1
87	14140607	MOTOR ADJUSTMENT CLIP	1
88	14140608	BOLT M10X45	1
89	14140404	WASHER 10	1
90	14140404	WASHER 10	1
91	14140609	NUT M10	1
92	14140610	PULL SPRING	1
93	14140701	PEDAL	1
94	14140702	BOLT M10X55	2
95	14140404	WASHER 10	2
96	14140404	WASHER 10	2
97	14140609	NUT M10	2
98	14140707	SHAFT OF WHEEL	2
99	14140704	NUT M12	2
100	14140303	WASHER 12	2
101	14140705	CONJUNCTION PLANK OF WHEEL	2
102	14140706	WHEEL	2
103	14140111	WASHER 8	2
104	14140102	SPRING WASHER 8	2
105	14140101	BOLT M8X25	2
106	14140404	WASHER 10	2
107	14140403	SPRING WASHER 10	2
108	14140609	NUT M10	2
109	14140611	HANDLE WITH GRIPS	2
110	14140703	SAW STAND	1
111	14140410	BOLT M10X90	1
112	14140404	WASHER 10	1



*Distributed By*



**MASALTA ENGINEERING CO., LTD**

Add: Weisi Road, Baohe Industrial Estate, Hefei, China

Tel: 86-551-4846600, 4846601 Fax: 86-551-4846616

E-mail: [sales@masalta.com.cn](mailto:sales@masalta.com.cn), [masalta@mail.hf.ah.cn](mailto:masalta@mail.hf.ah.cn),

<http://www.masalta.com.cn>