

**MASALTA®**

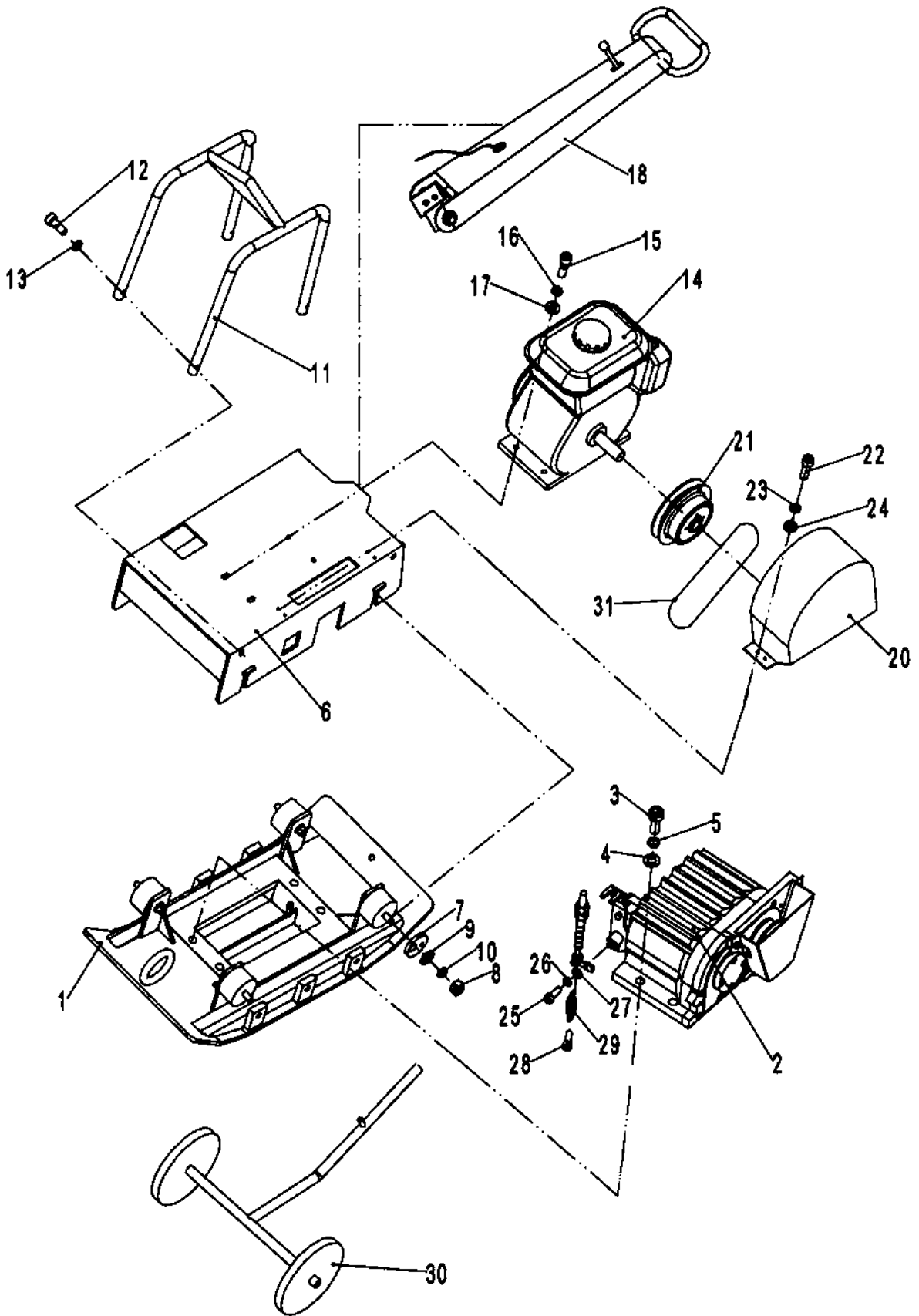


# **PARTS MANUAL**

## **REVERSIBLE PLATE COMPACTOR**

### **MS125/MSH160/MSH160E**

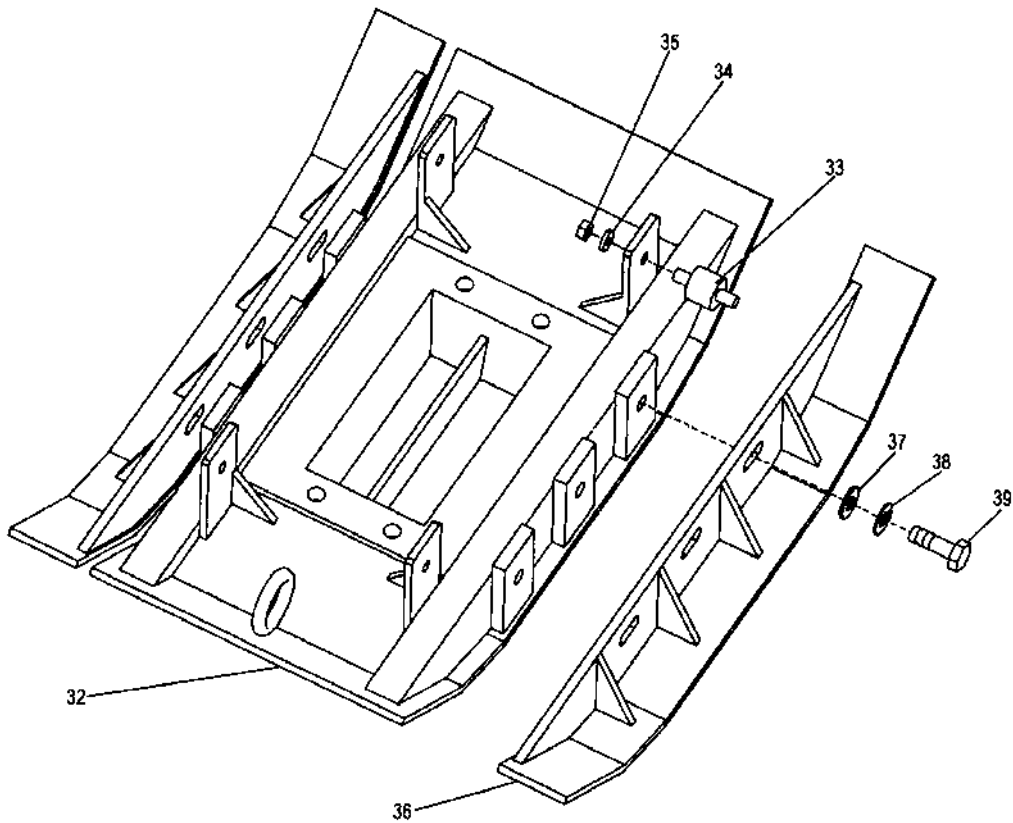




MS125 MSH160 & MSH160E PARTS LIST 1

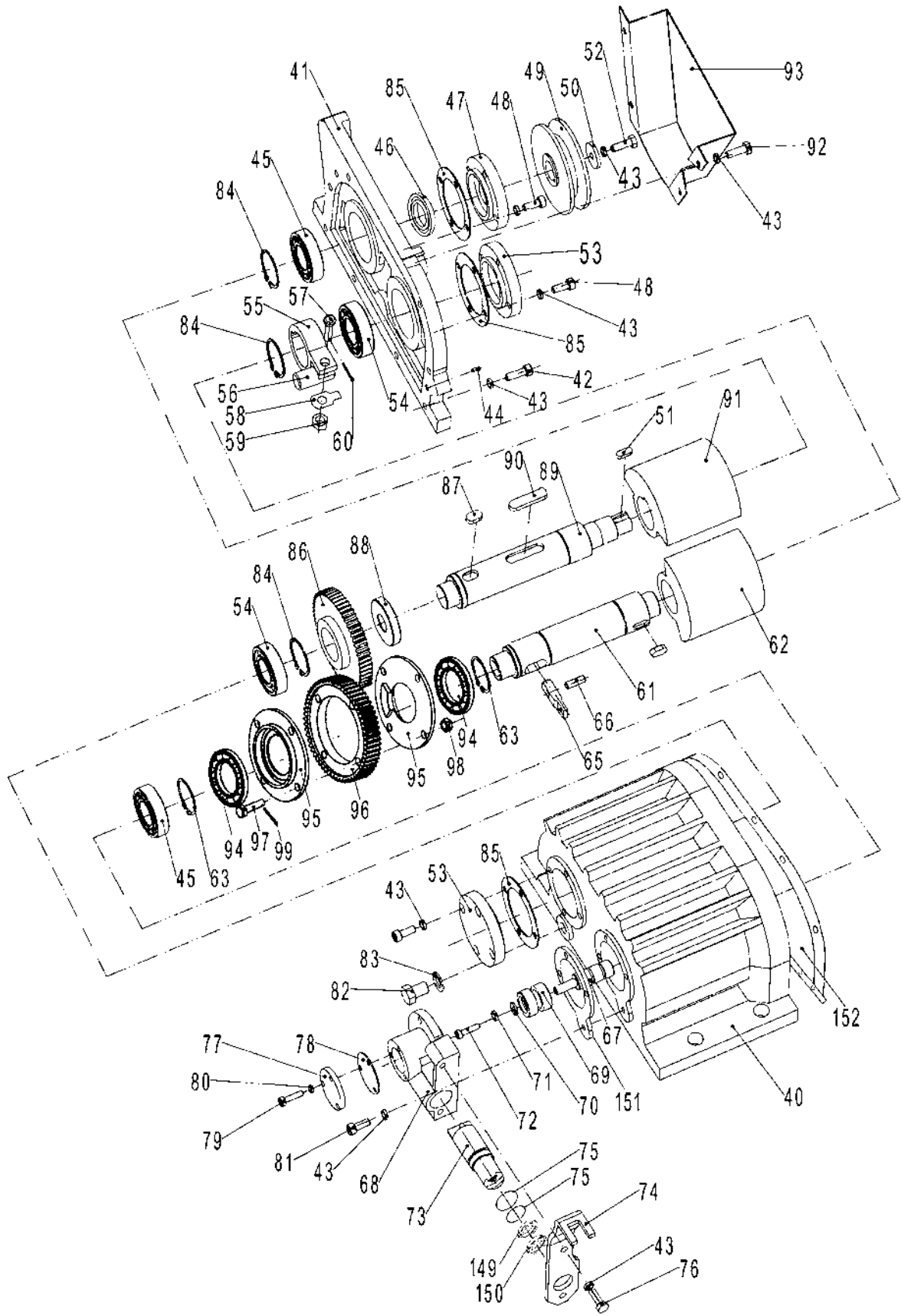
## MS125 MSH160 & MSH160E PARTS LIST 1

ITEM NO	PART NO	DESCRIPTION	QTY
1	3001000-1	BASE PLATE ASSEMBLY FOR MSH160	1
	3001000-2	BASE PLATE ASSEMBLY FOR MSH160E	1
	3001000-3	BASE PLATE ASSEMBLY FOR MS125	1
2	3002000	VIBRATION BOX FOR MSH160 & MSH160E	1
	3002000-2	VIBRATION BOX FOR MS125	1
3	0700018-45	BOLT M18 x 45-GB70	4
4	0970018	WASHER 18-GB97	4
5	0930018	SPRING WAHSER18-GB93	4
6	3003000-A	ENGINE MOUNTING PLATE FOR MSH160 & MSH160E	1
	3003000-2A	ENGINE MOUNTING PLATE FOR MS125	1
7	3004000	ADJUSTING PLATE	4
8	0410012	NUT12-GB41	4
9	0970012	WASHER 12-GB97.1	4
10	0930012	SPRING WAHSER 12-GB93	4
11	3005000	FRAME ASSEMBLY	1
12	0700012	BOLT M12 x 20-GB70	4
13	0930012	SPRING WASHER12-GB93	4
14	3000001-1	DIESEL ENGINE	1
	3000001-2	HONDA ENGINE	1
	3000001-3	ROBIN ENGINE	1
15	0700010	BOLT M10 x 30-GB70	4
16	0930010	SPRING WASHER10-GB93	4
17	0970010	WASHER10-GB97.1	4
18	3006000	HANDLE ASSEMBLY FOR MSH160 & MSH160E	1
	3006000-2	HANDLE ASSEMBLY FOR MS125	1
20	3007000	BELT GUARD	1
21	3008000-1	ENGINE PULLEY FOR DIESEL	1
	3008000-2	ENGINE PULLEY FOR HONDA	1
	3008000-3	ENGINE PULLEY FOR ROBIN	1
22	0700006	BOLT M6 x 15-GB70	4
23	0930006	SPRING WASHER6-GB93	4
24	0970006	WASHER6-GB97.1	4
25	0700008-20	BOLT M8 x 20-GB70	1
26	0930008	SPRING WASHER8-GB93	1
27	0970008	WASHER8-GB97.1	1
28	0700008-20	BOLT M8 x 20-GB70	1
29	3009000	SPRING	1
30	3010000	TROLLEY WHEEL	1
31	3011000-1	V-BELT FOR DIESEL ENGINE FOR MSH160 & MSH160E	1
	3011000-2	V-BELT FOR PETROL ENGINE FOR MSH160 & MSH160E	1
	3011000-3	V-BELT FOR PETROL ENGINE FOR MS125	1
	3011000-4	V-BELT FOR PETROL ENGINE FOR MS125	1



### MS125 MSH160 & MSH160E PARTS LIST 2

ITEM NO	PART NO	DESCRIPTION	QTY
32	3001001-1	BASE PLATE FOR MSH160	1
	3001001-2	BASE PLATE FOR MSH160E	1
	3001001-3	BASE PLATE FOR MS125	1
33	3001002	VIBRATION DAMPER	4
34	0970012	WASHER12-GB97	4
35	0617012	NUT M12-GB6170	4
36	3001003	EXTENSION PLATE (MSH160E ONLY)	2
37	0970020	WASHER-GB97 (MSH160E ONLY)	6
38	0930020	SPRING WASHER-GB93 (MSH160E ONLY)	6
39	0578020	BOLT M20X45-GB5783 (MSH160E ONLY)	6



**MS125 MSH160 & MSH160E PARTS LIST 3**

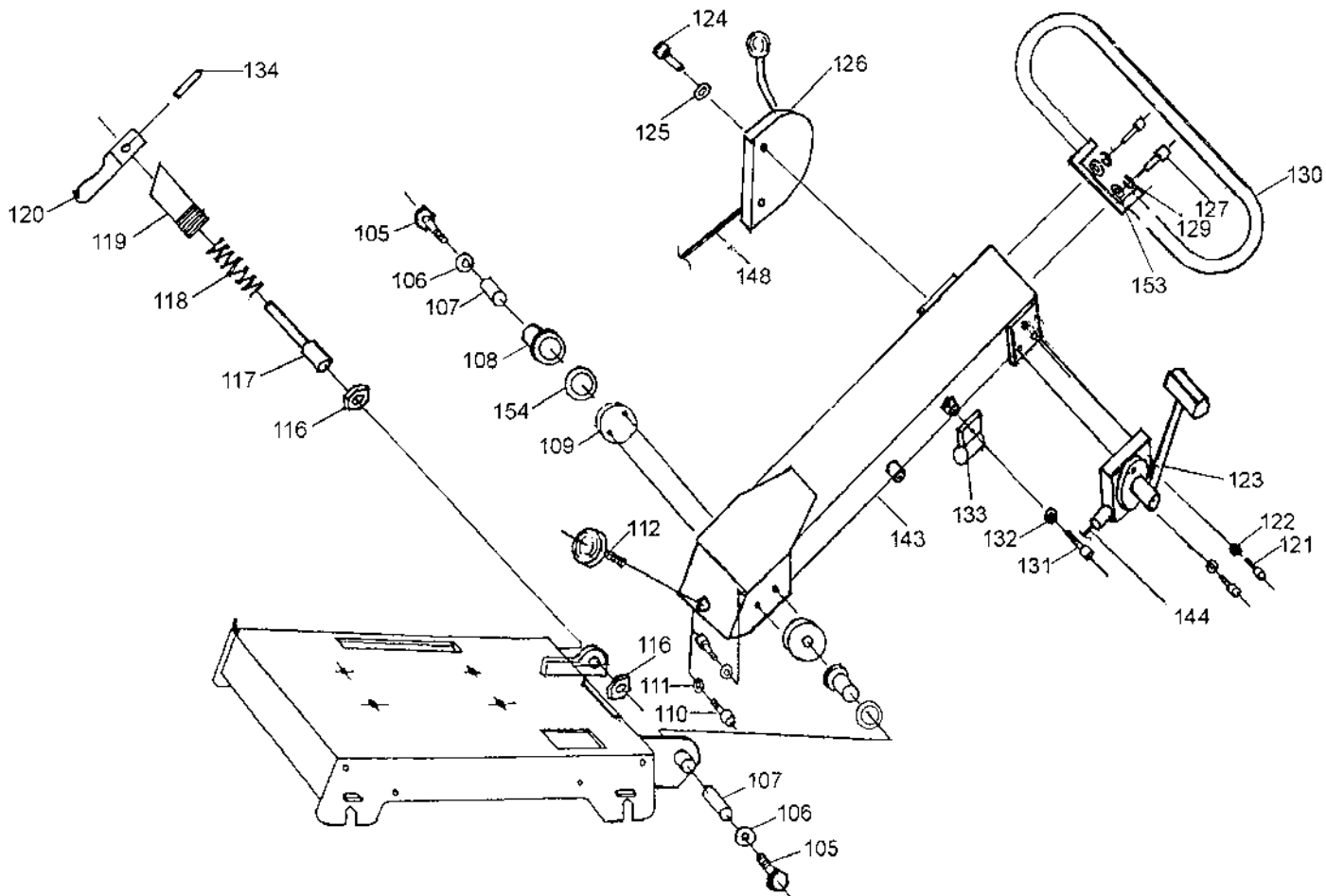
### MS125 MSH160 & MSH160E PARTS LIST 3

ITEM NO	PART NO	DESCRIPTION	QTY
40	3002001	EXCITER BOX FOR MSH160 & MSH160E	1
	3002001-2	EXCITER BOX FOR MS125	1
41	3002002	BOX COVER	1
42	0700008-25	BOLT M8 x 25-GB70	9
43	0930008	SPRING WASHER8-GB93	30
44	0119008	PIN BOLT8-GB119	2
45	0283006	BEARING32206-GB283	2
46	0987752	OIL SEAL $\phi$ 52 x $\phi$ 28 x 7-GB9877.1	1
47	3002003	BEARING COVER	1
48	0700008-20	BOLT M8 x 20-GB70	12
49	3002004	PULLEY	1
50	3002005	WASHER	1
51	0109608	KEY C20 x 8-GB1096	1
52	0578308	BOLT M8 x 20-GB5783	1
53	3002006	BEARING COVER	2
54	0276006	BEARING60206-GB276	2
55	3002007	PINCH CLAMP (MSH160 & MSH160E ONLY)	1
56	3002008	BOLT M20 (MSH160 & MSH160E ONLY)	1
57	3002009	BOLT (MSH160 & MSH160E ONLY)	1
58	0854010	WASHER10-GB854 (MSH160 & MSH160E ONLY)	10
59	0617010	NUT M10-GB6170 (MSH160 & MSH160E ONLY)	1
60	0910003	SPLIT PIN $\phi$ 2.5 x 20-GB91 (MSH160 & MSH160E ONLY)	1
61	3002010	SPINDLE FOR MSH160 & MSH160E	1
	3002010-2	SPINDLE FOR MS125	1
62	3002011	UNBALANCE WEIGHT FOR MSH160 & MSH160E	1
	3002011-2	UNBALANCE WEIGHT FOR MS125	1
63	0894040	RETAINING RING40-GB894	2
65	3002013	DIRECTION PIN	1
66	0730008	BOLT M8 x 25	1
67	3002014	SPINDLE	1
68	3002015	DIRECTION HOUSING	1
69	3002016	ROTARY COVER	1
70	3002017	WAHSER	1

( TO BE CONTINUED)

### MS125 MSH160 & MSH160E PARTS LIST 3

ITEM NO	PART NO	DESCRIPTION	QTY
71	0930005	SPRING WASHER5-GB93	4
72	0700005	BOLT M5 X 15-GB70	4
73	3002018	SPINDLE	1
74	3002019	BASE COVER	1
75	0345226	O RING25.8 X 2.65-GB3452.1	1
76	0578308	BOLT M8 X 25-GB5783	2
77	3002020	BOARD COVER	1
78	3002021	GASKET COVER	1
79	0700006	BOLT M6 X 18-GB70	3
80	0930006	SPRING WASHER 6-GB93	3
81	0700008-30	BOLT M8 X 30-GB70	4
82	0578614	BOLT M14 X 1.5 X 20-GB5786	1
83	3002022	SPRING WASHER	1
84	0894042	RETAINING RING42-GB894	3
85	3002023	COVER GASKET	3
86	3002024	GEAR	1
87	0109612	KEY A12 X 20-GB1096	1
88	3002025	SPACER	1
89	3002026	PULLEY SHAFT FOR MSH160 & MSH160E	1
	3002026-2	PULLEY SHAFT FOR MS125	1
90	0109612	KEY A12 X 50-GB1096	1
91	3002027	UNBALANCE WEIGHT FOR MSH160 & MSH160E	1
	3002027-2	UNBALANCE WEIGHT FOR MS125	1
92	0578208	BOLT M8 X 15-GB5782	4
93	3002028	BELT GUARD	1
94	0276008	BEARING 16008-GB276	2
95	3002012-1	CLUTCH BODY	2
96	3002012-2	GEAR	1
97	3002012-3	BOLT	4
98	0617008	NUT M8-GB6170	4
99	0910002	SPLIT PIN $\phi$ 2X20-GB91	4
149	3002029	OIL SEAL	1
150	3002030	SPACER	1
151	3002031	OIL SEAL GASKET	1
152	3002032	OIL SEAL GASKET	1



**MS125 MSH160 & MSH160E PARTS LIST 4**



## MS125 MSH160 & MSH160E PARTS LIST 4

ITEM NO	PART NO	DESCRIPTION	QTY
105	0578012-70	NUT M12 X 70 - GB5780 FOR MSH160 & MSH160E	2
	0578012-60	NUT M12 X 60 - GB5780 FOR MS125	2
106	0950012	WASHER 12 -GB95	2
107	3006010	COLLAR FOR MSH160 & MSH160E	2
	3006010-2	COLLAR FOR MS125	2
108	3006012	NYLON COLLAR FOR MSH160 & MSH160E	2
	3006012-2	NYLON COLLAR FOR MS125	2
109	3006400	VIBRATION DAMPER FOR MSH160 & MSH160E	2
	3006400-2	VIBRATION DAMPER FOR MS125	2
110	0578008-30	NUT M8 X 30 - GB5780	4
111	0950008	WASHER 8 - GB95	4
112	3006200	VIBRATION DAMPER	1
116	0617320	BOLT M20 X 1.5 - GB6173	2
117	3006004	PIN	1
118	3006005	SPRING	1
119	3006007	SCREW ROD	1
120	3006009	PULLING HANDLE	1
121	0701006-40	NUT M6 X 40 - GB701	3
122	0859006	SPRING WASHER 6 - GB859	3
123	3006006-3	TRAVEL LEVER	1
124	0701008-30	NUT M8 X 30 - GB701	2
125	0950008	WASHER 8 - GB95	2
126	AR680805001	THROTTLE LEVER ASSY. (OPTIONAL)	1
127	0701008-30	NUT M8 X 30 - GB701	2
129	0950008	WASHER 8 - GB95	2
130	3006500	HANDLE FOR MSH160 & MSH160E	1
	3006500-2	HANDLE FOR MS125	1
131	0701008-20	NUT M8 X 20 - GB701 (OPTIONAL)	1
132	0859006	SPRING WASHER 6 - GB859 (OPTIONAL)	1
133	3006601	CLIP (OPTIONAL)	1
134	3006013	KEY	1
143	3006014	HANDLE	1
144	3006015-3	CABLE FOR MSH160 & MSH160E	1
	3006015-3A	CABLE FOR MS125	1
148	A3006017-1	THROTTLE WIRE (OPTIONAL)	1
153	0930008	SPRING WASHER 8 - GB95	2
154	3006018	NYLON COLLAR FOR MSH160 & MSH160E	2
	3006018-2	NYLON COLLAR FOR MS125	2



*Distributed By*



**MASALTA ENGINEERING CO., LTD**

Add: Weisi Road, Baohe Industrial Estate, Hefei, China  
Tel: 86-551-4846600, 4846601 Fax: 86-551-4846616  
E-mail: [sales@masalta.com.cn](mailto:sales@masalta.com.cn), [masalta@mail.hf.ah.cn](mailto:masalta@mail.hf.ah.cn),  
[Http://www.masalta.com.cn](http://www.masalta.com.cn)