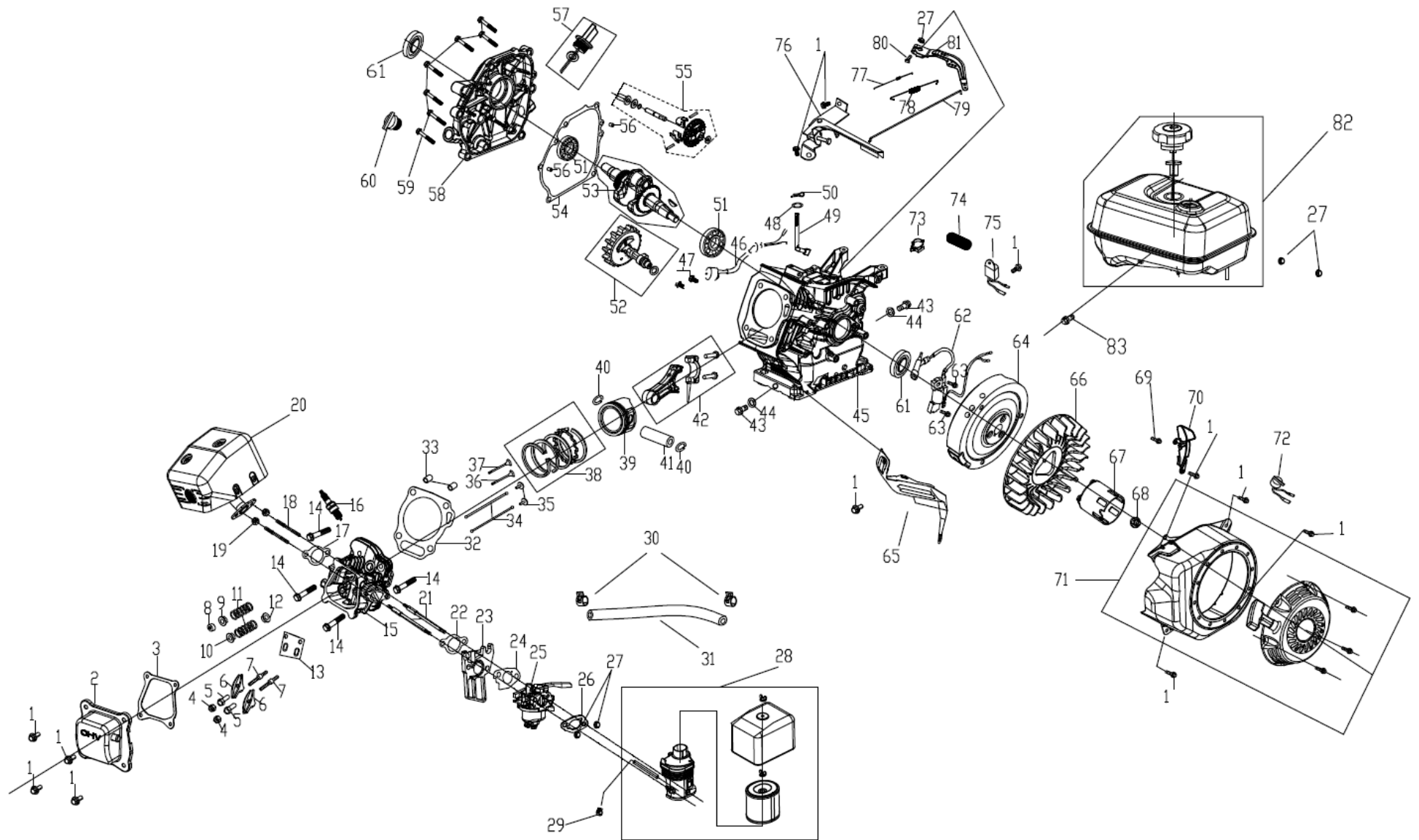




Explozie piese de schimb

Motopompa pentru apa semicurata

BTA-MP100



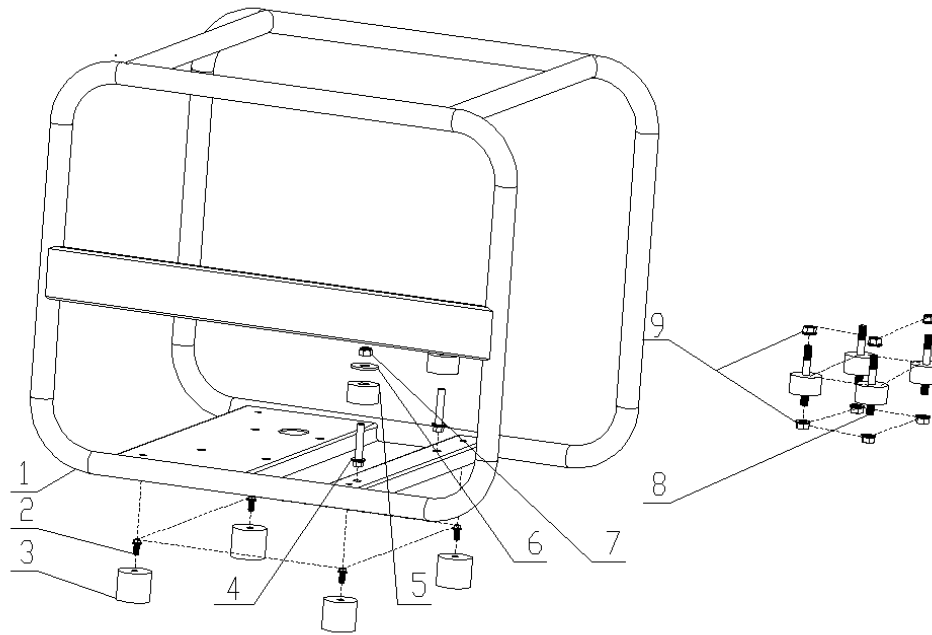
		Description	QTY		
NO.	Part NO.	English			N.W. (kg) /PC
1	30101-00281-00	BOLT,M6×12		13	0.00542
2	20021-00009-01	COVER COMP.HEAD		1	0.20412
3	33048-00024-00	GASKET,HEAD COVER		1	0.00688
4	30121-00034-01	NUT,VALVE ADJUSTING		2	0.00225
5	30134-00005-01	ROCKER SHAFT		2	0.01540
6	34019-00003-00	ROCKER ARM		2	0.01699
7	30110-00032-01	BOLT VALVE		2	0.01474
8	33141-00021-00	ROTATOR,VALVE		1	0.00164
9	34016-00006-00	RETAINER,VALVE SPRING		1	0.00615
10	34016-00006-00	RETAINER,VALVE SPRING		1	0.00618
11	34015-00003-00	SPRING,VALVE		2	0.00551
12	34018-00002-01	OIL SHIELD		1	0.00203
13	34017-00009-00	PLATE,PUSH ROD GUIDE		1	0.01198
14	30101-00468-01	BOLT,M8×60		4	0.02848
15	20023-00019-00	CYLINDER HEAD COMP		1	0.83105

16	20027-00008-00	SPARK PLUG		1	0.05713
17	33048-00099-00	WASHER,MUFFLER		1	0.00327
18	30110-00027-01	BOLT,STUD,EXHAUST		2	0.01101
19	30121-00041-00	NUT M8		2	0.00489
20	20202-00022-02	MUFFLER ASSY		1	0.97451
21	30110-00017-01	BOLT,STUD,INTAKE		2	0.02198
22	33048-00051-00	GASKET,INLET		1	0.00053
23	34012-00004-01	INSULATOR,CARBURETOR		1	0.02385
24	33048-00076-00	INSULATOR,CARBURETOR		1	0.00081
25	20024-00019-00	CARBURETOR		1	0.24298
26	33048-00045-01	GASKET,AIR FILTER		1	0.01686
27	30125-00013-00	NUT,FLANGE		2	0.00304
28	20025-00014-01	AIR CLEANER ASSY		1	0.36064
29	34024-00027-00	CLIP,TUBE		1	0.00200
30	34024-00022-00	CLIP		1	0.00101
31	34023-00004-01	FUEL PIPE		0.165	0.01093
32	33048-00016-00	GASKET,CYLINDER		1	0.00736
33	34006-00001-00	DOWEL PIN		2	0.00265

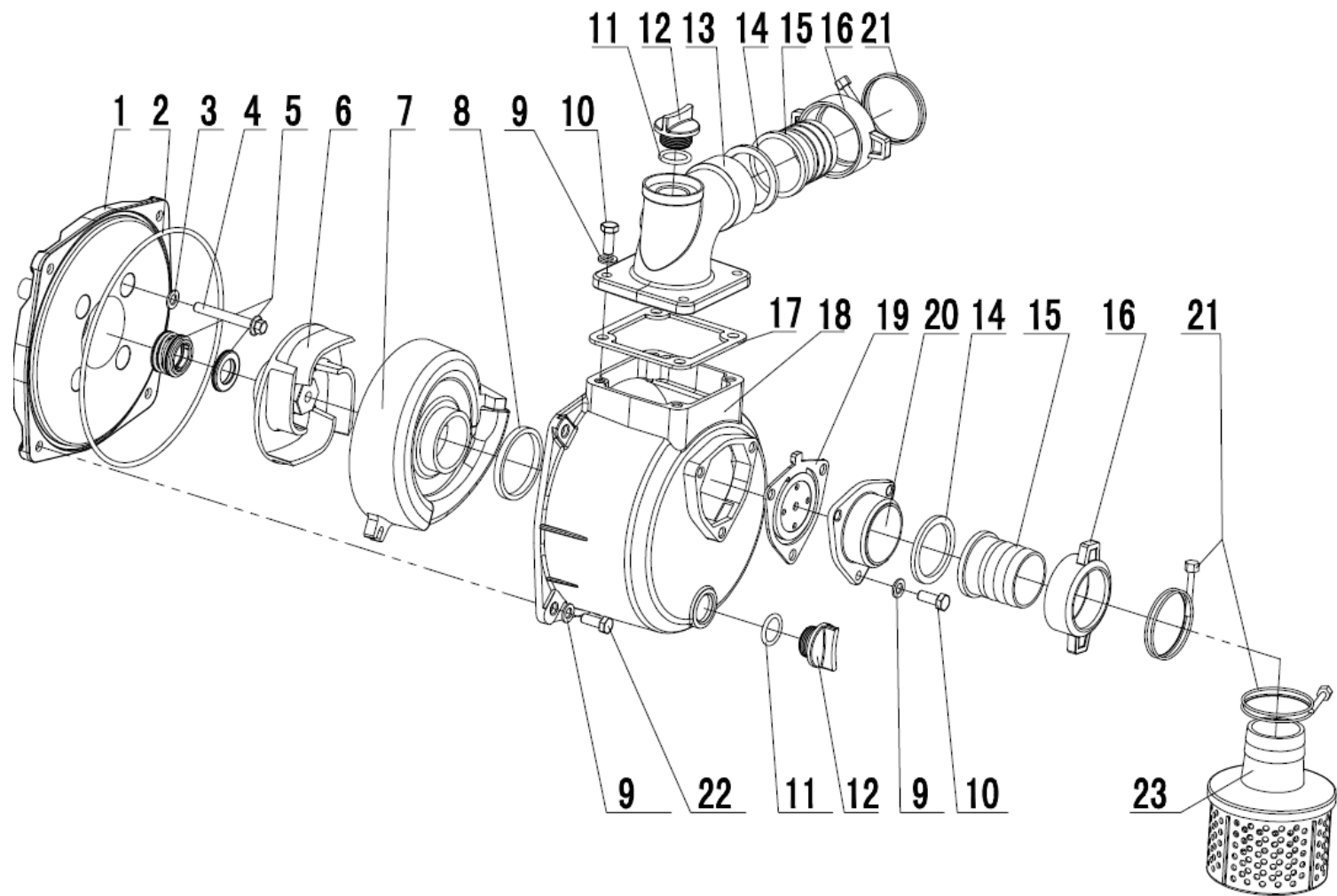
34	34020-00013-00	PUSH ROD		2	0.01316
35	34008-00004-00	LIFTER,VALVE		2	0.01948
36	34013-00006-00	VALVE, INTAKE		1	0.02138
37	34013-00025-00	VALVE,EXHAUST		1	0.02145
38	20084-00005-00	RING SET,PISTON		1	0.01715
39	34004-00010-00	PISTON		1	0.14271
40	30150-00022-00	CLIP,PISTON PIN		2	0.00032
41	34006-00013-00	PIN,PISTON		1	0.04361
42	20008-00005-00	CONNECTING ROD ASSY		1	0.13785
43	30101-00487-01	BOLT,M10×15		2	0.01380
44	30136-00078-01	WASHER		2	0.00045
45	34011-00009-00	CRANKCASE		1	2.60412
46	33247-00005-01	ENGINE OIL SENSOR		1	0.04306
47	30101-00277-00	BOLT,M6×16		2	0.00583
48	30136-00092-01	WASHER		1	0.00068
49	34026-00003-01	SHAFT,GOVERNOR		1	0.01810
50	34006-00016-00	PIN, LOCK		1	0.00053

51	30141-00120-00	BEARING		2	0.12598
52	20012-00005-00	CAMSHAFT,ASSY		1	0.44685
53	20011-00182-00	CRANKSHAFT ASSY		1	1.70125
54	33048-00061-00	GASKET,CRANKCASECOVER		1	0.00432
55	20013-00008-01	GOVERNOR GEAR KIT		1	0.02843
56	34006-00009-00	DOWEL PIN		2	0.00185
57	20026-00001-02	DIPSTICK ASSY		1	0.00812
58	33129-00026-00	CRANKCASE COVER		1	0.54615
59	30101-00279-00	BOLT,M8×32		6	0.01657
60	20026-00016-02	OIL CAP ASSY		1	0.00746
61	34007-00003-01	OIL SEAL		2	0.00882
62	20028-00026-01	WIRE,ENGINE SWITCH		1	0.23051
63	30101-00408-00	BOLT,FLANGE		2	0.00771
64	33099-00040-00	FLYWHEEL COMP		1	2.51312
65	34021-00007-01	SIDE SHELL		1	0.05061
66	33155-00040-01	FAN COOLING		1	0.10223
67	34022-00027-01	PULLEY,STARTER		1	0.13101

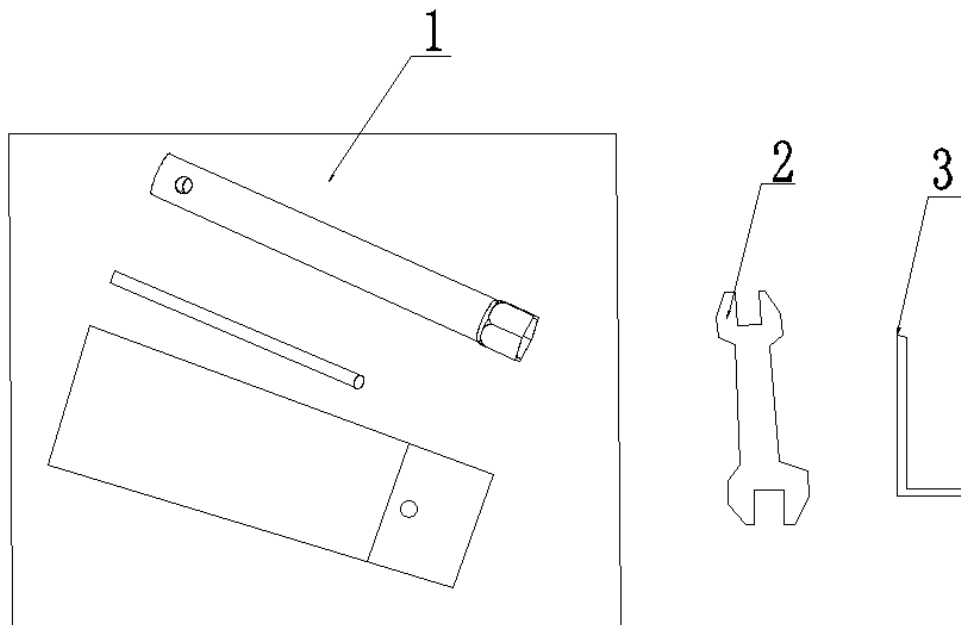
68	30125-00065-01	NUT SPECIAL		1	0.02507
69	30101-00282-00	BOLT,FLANGE		1	0.00735
70	34021-00006-01	SIDE SHELL		1	0.05061
71	20010-00051-39	RECOIL STARTER COMP		1	1.03094
72	31026-00057-02	ENGINE SWITCH		1	0.01414
73	34024-00013-01	CLIP,NON-RETURN VALVE		1	0.00226
74	40052-00021-01	BELLOWS		0.055	0.00151
75	33246-00002-01	OIL ALARM		1	0.02331
76	20022-00005-01	SPEED CONTROL,ASSY		1	0.12344
77	34015-00026-00	SPRING,THROTTLE RETURN		1	0.00096
78	34015-00015-01	SPRING,CABLE RETURN		1	0.00189
79	34026-00007-01	ROD,GOVERNOR		1	0.00372
80	30103-00021-00	BOLT		1	0.00542
81	34025-00003-01	HANDLE,SPEED CONTROL		1	0.03452
82	20130-00008-06	FUEL TANK ASSY		1	1.37544
83	30101-00284-00	BOLT,FLANGE		2	0.00915



NO.	Part NO.	Description	QTY		N.W. (kg) /PC
		English			
1	20090-00048-01	FRAME ASSY	1		
2	30114-00005-01	BOLT	4		
3	33275-00008-01	VIBRATION DAMPING PADS	4		
4	30101-00461-01	BOLT	2		
5	/	VIBRATION DAMPING PAD	2		
6	30136-00023-00	FLAT WASHER	2		
7	30128-00007-01	NYLON NUT	2		
8	34030-00056-01	STUD DAMPING SEAT	4		
9	30125-00003-01	NUT	8		



NO.	Part NO.	Description	QTY		
		English			N.W. (kg) /PC
1	70010-00651-00	SEAT ASSY	1		
2	30152-00060-00	O-SEAL RING	1		
3	30136-00079-00	ALUMINIUM FLAT WASHER	4		
4	30101-00376-00	BOLT	4		
5	70010-00094-00	MECHANICAL SEAL	1		
6	70010-00601-00	IMPELLER ASSY	1		
7	70010-00595-00	VOLUTE ASSY	1		
8	30152-00070-00	SEAL WASHER	1		
9	30136-00010-00	FLAT WASHER	1		
10	30101-00183-00	BOLT	1		
11	30152-00122-00	O-SEAL RING	1		
12	70010-00238-00	PLUG	2		
13	70010-00509-00	WATER OUTLET	2		
14	33275-00016-00	WRENCH PRESSURE CAP GASKET	2		
15	33001-00032-00	TRANSFER PIPE COPLER	3		
16	70003-00853-00	WRENCH PRESSURE CAP	6		
17	70010-00185-00	WATER OUTLET SEAL WASHER	2		
18	70010-00497-00	PUMP BODY	2		
19	70010-00005-00	CHECK VALVE	1		
20	70010-00107-00	WATER INLET	1		
21	34024-00045-00	HOOP			
22	30101-00183-00	BOLT			
23	34037-00011-00	WATER INLET FILTER CONNECTOR			



NO.	Part NO.	Description	QTY		
		English		SC11000E-III	N.W. (kg) /PC
1	70009-00313-00	KIT/EXTENSION BAR Φ 7*131 WHITE ZINC/SPARK PLUG SLEEVE M21*180 WHITE ZINC/WORK BAG 215*80	1		
2	70003-00909-00	OPEN WRENCH	1		
3	70003-00858-00	SOCKET HEAD WRENCH	1		