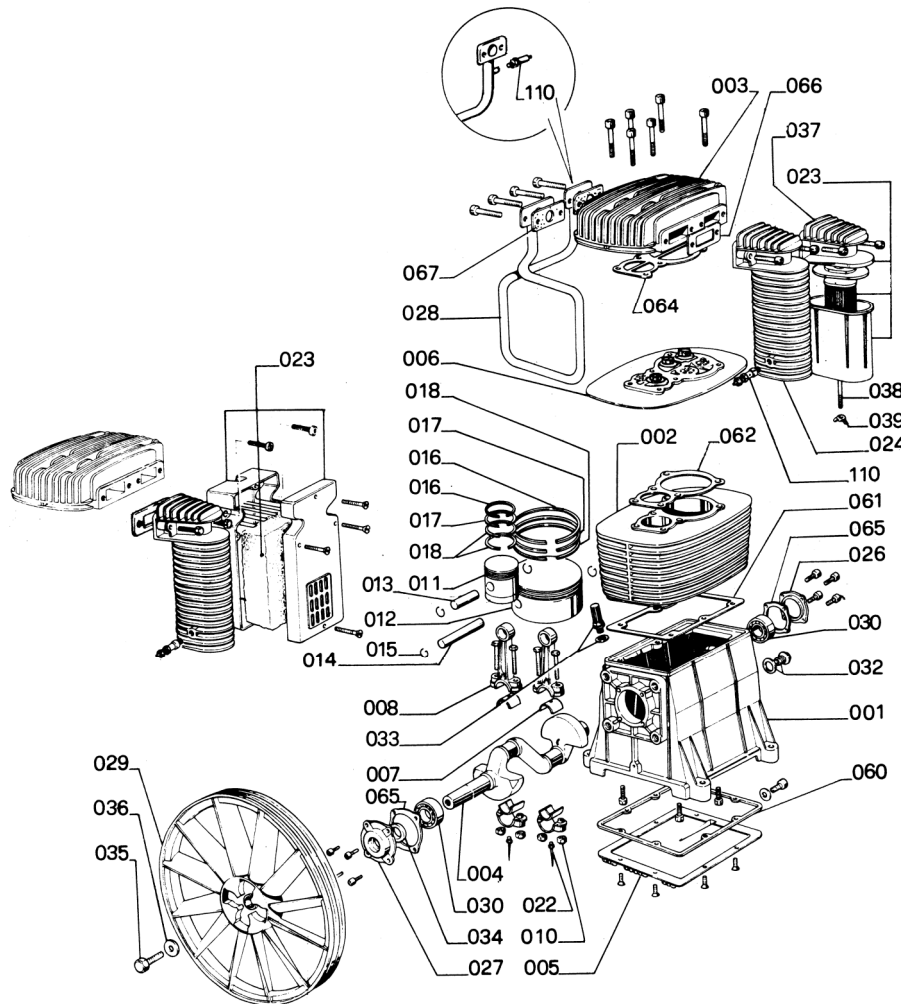
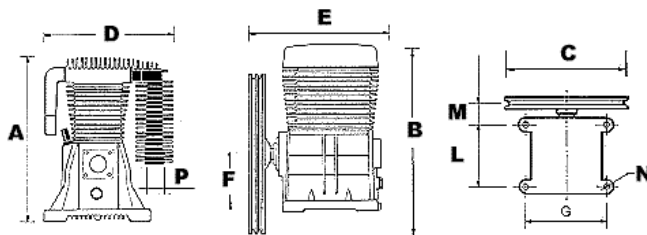


Code: 6200000

B 6000



**Dimensions:**



In mm

A	B	C	D	E	F	G	L	M	N	P
442	507	430	352	370	150	248	198	79	13	1 1/4"

Box Weight: 32 Kg      Box Dimensions: W x D x L: 391 x 436 x 532

**Tightening Torques, Cylinder Head:**

Bolt Size:	M10
Min Torque:	45.28 Nm
Max Torque:	55.34 Nm

**Technical Data:**

Cylinders:	2	
Stages:	2	
Air Flow:	827 L/min	29,2 cfm
Power:	5,5 Kw	7,5 HP
Speed:	1450 rpm	
Max Pressure:	12 Bar	174 psi

Code:  
B 6000

6200000



<i>Svc</i>	<i>Ref</i>	<i>Code</i>	<i>Description</i>	<i>Qty</i>	<i>Modified</i>
<input checked="" type="checkbox"/>	000	6050057	Gasket Kit	1	
<input type="checkbox"/>	001	6061100	Crankase	1	30.06.1997
<input type="checkbox"/>	001	6061101	Crankase	1	
<input type="checkbox"/>	002	6030000	Cylinder	1	28.11.1999
<input type="checkbox"/>	002	6330000	Cylinder	1	
<input type="checkbox"/>	003	6061400	Pump head	1	04.06.1998
<input type="checkbox"/>	003	6061401	Pump head	1	
<input type="checkbox"/>	004	6061200	Crankshaft	1	
<input type="checkbox"/>	005	6061300	Crankase gasket	1	30.06.1997
<input type="checkbox"/>	005	6061301	Crankase gasket	1	
<input checked="" type="checkbox"/>	006	6040051	Valve plate assy.	1	
<input type="checkbox"/>	007	9013014	Halfbearing	4	
<input type="checkbox"/>	008	6011101	Connecting rod	2	
<input type="checkbox"/>	010	9128234	Self locking nut	4	
<input type="checkbox"/>	011	6021100	Piston D. Pin D.	1	
<input type="checkbox"/>	012	6022100	Piston D. Pin D.	1	
<input type="checkbox"/>	013	6021200	Pin	1	
<input type="checkbox"/>	014	6022200	Pin	1	
<input type="checkbox"/>	015	9140060	Circlip	4	
<input type="checkbox"/>	016	9020016	Piston ring AC	1	
<input type="checkbox"/>	016	9020011	Piston ring AC	1	
<input type="checkbox"/>	017	9020046	Piston ring ROS	1	
<input type="checkbox"/>	017	9020041	Piston ring ROS	1	
<input type="checkbox"/>	018	9020073	Piston ring ROF	2	
<input type="checkbox"/>	018	9020076	Piston ring ROF	1	
<input checked="" type="checkbox"/>	023	5281000	Filter	1	
<input type="checkbox"/>	024	5070100	Aftercooler	1	
<input type="checkbox"/>	026	5061690	Cover N.D.E.	1	
<input type="checkbox"/>	027	6061590	Cover D.E.	1	
<input type="checkbox"/>	028	5262010	Intercooler	1	
<input type="checkbox"/>	029	5000100	Flyw heel	1	
<input type="checkbox"/>	030	9170090	Bearing	1	
<input type="checkbox"/>	030	9170020	Bearing	1	
<input type="checkbox"/>	032	9022003	Oil sight glass	1	
<input type="checkbox"/>	033	9024006	Oil fill plug	1	
<input type="checkbox"/>	034	9163030	Oil seal	1	
<input type="checkbox"/>	035	9110022	Screw	1	19.04.1997
<input type="checkbox"/>	035	9110024	Screw	1	
<input type="checkbox"/>	036	9004009	Fly w heel washer	1	
<input type="checkbox"/>	110	9049011	Safety valve	1	31.08.2000
<input type="checkbox"/>	110	9049032	Safety valve	1	
<input type="checkbox"/>	110	9049020	Safety valve	1	

*Svc = Service Item*